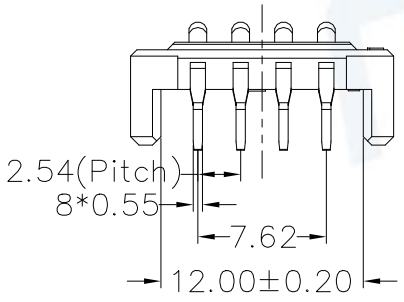
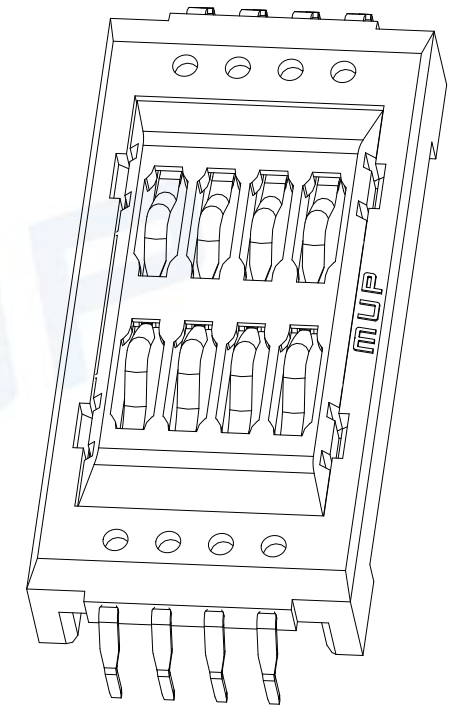
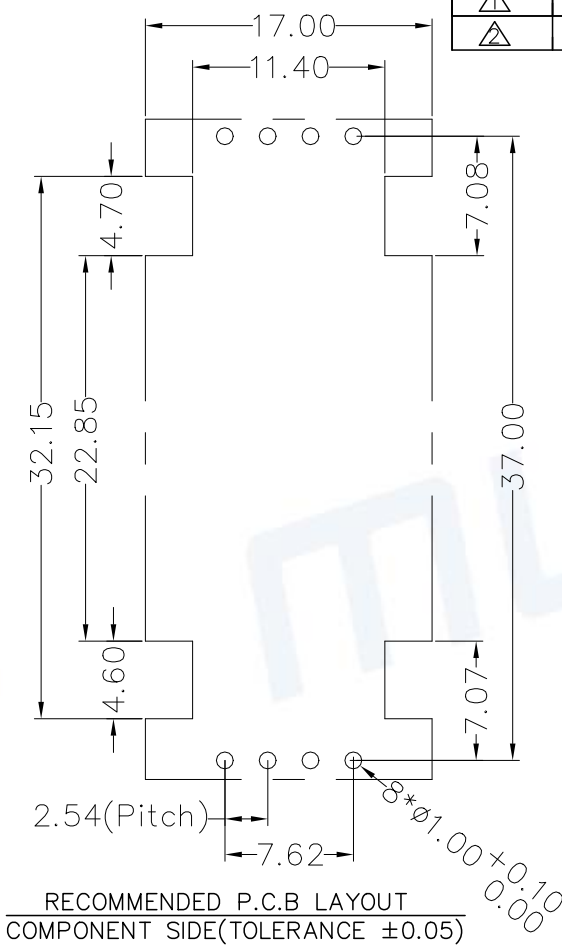
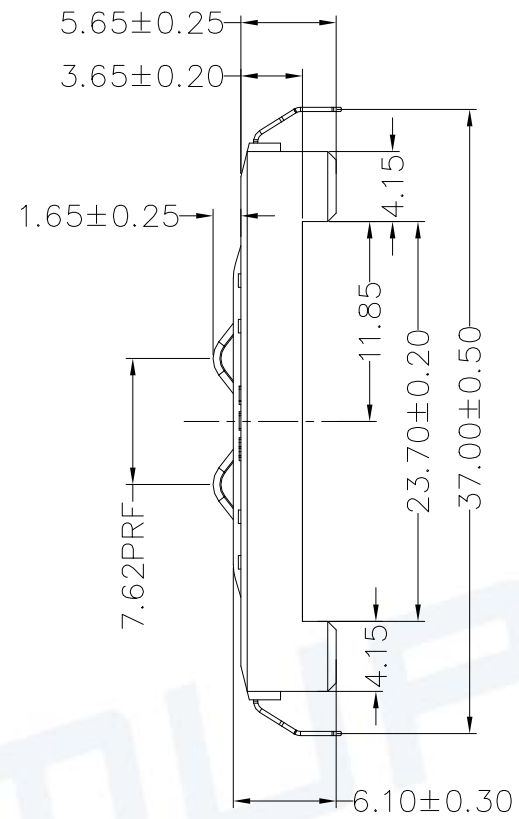
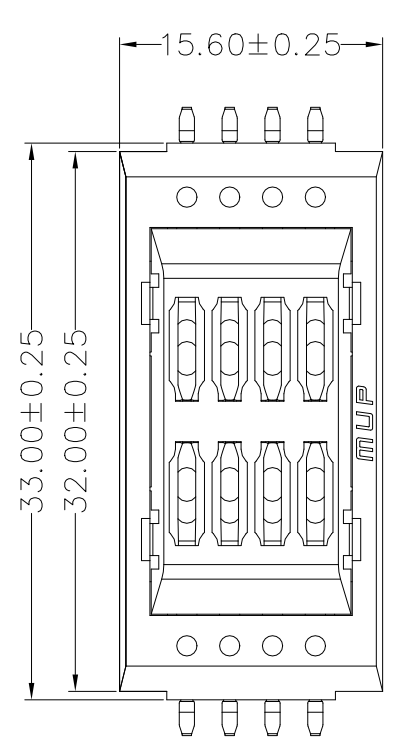


REV.	DESCRIPTION OF REVISIONS	APPR.	CHEC.	DRAW.	DATE
△	NEW			Keye	2019/08/01
△	Original Model C7302-1			Jack	2023/10/19



RECOMMENDED P.C.B LAYOUT
COMPONENT SIDE(TOLERANCE ±0.05)

TECHNICAL CHARACTERISTICS

1.General Characteristics
 Dimensions: 33.00LX15.60WX6.10H mm
 Weight: Approx1.7±0.1g
 Durability: 500,000 cycles min.

2.Electrical Characteristics
 Contact resistance: 100mΩ typical, 200mΩ max
 Insulation resistance: >1000MΩ/500V DC

3.Solderability
 Manual soldering: 370°C, 3sec.Max

4.Environmental Characteristics
 Operating temperature: -40°C~+80°C
 Operating humidity: 10%~+95%RH
 Contact force : 0.20~0.60 N.

ITEM	PART NAME	Q'TY	MATERIAL	FINISH
1	BASE	1	Hi-temp Thermoplastic	PBT Black UL94V-0
2	COVER	1	Hi-temp Thermoplastic	PBT Black UL94V-0
3	DATA CONTACT	8	Copper Alloy	Contact area: 30μ" Au plated

Unless otherwise specified, other tolerance are:

MUP MUP INDUSTRIAL CO.,LTD.

NAME: **Smart Card Acceptor**

MODEL NO: **MUP-C7302-01**

TYPE :

PROJ.	UNIT	SCALE	DRAWN	Keye 2019/08/01	DWG NO.:
⊕	mm	1:1	CHECKED	Jack 2019/08/01	DWG-C7302-01-01
CUSTOMER DRAWING			APPROVAL	Miaing2019/08/01	SHEET
					1/1
					REVISION
					2

