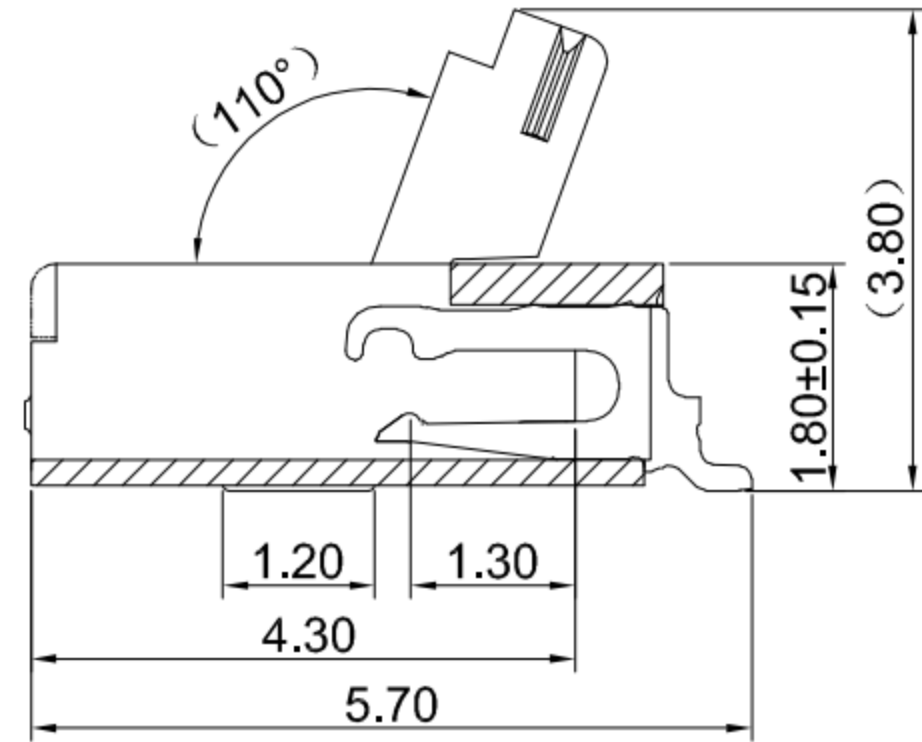
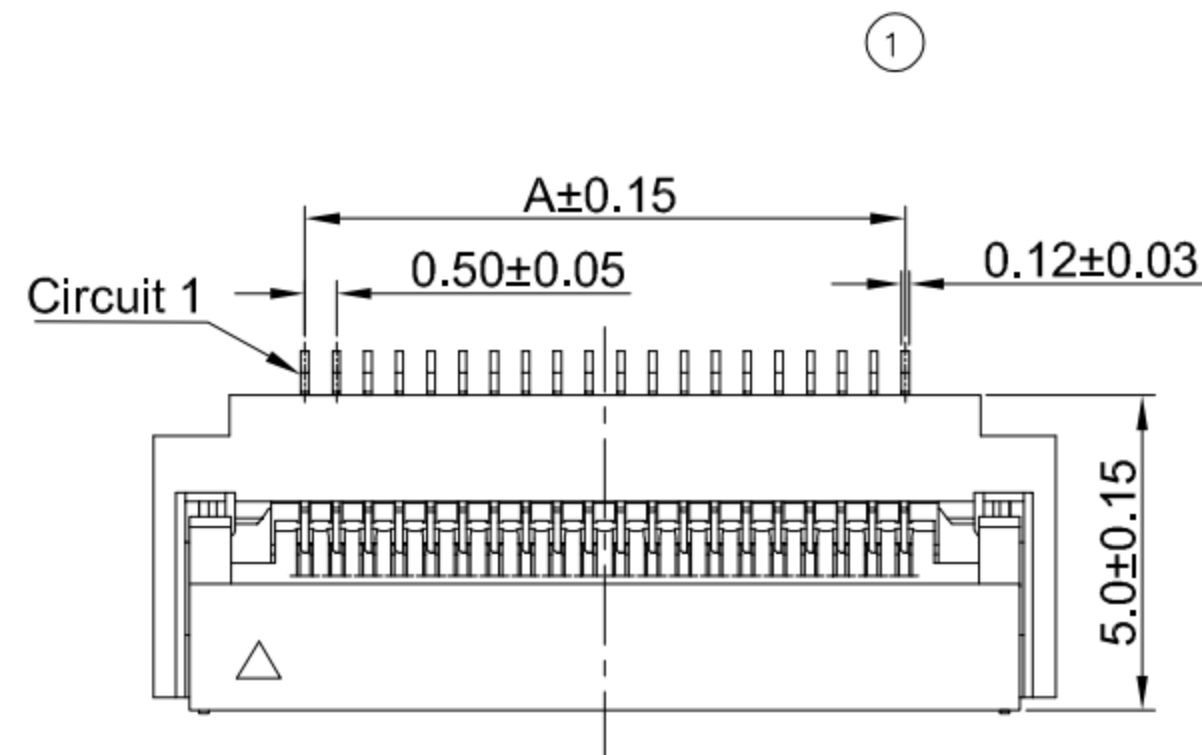


1



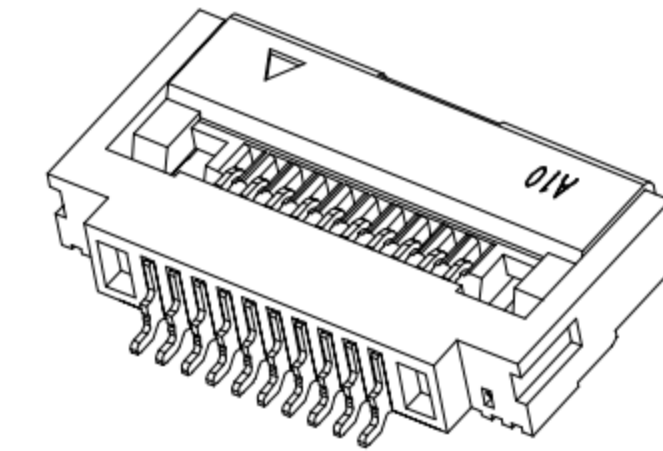
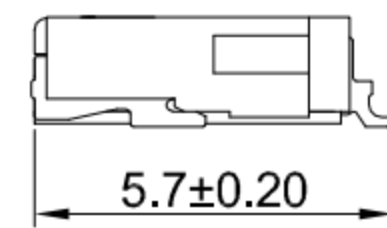
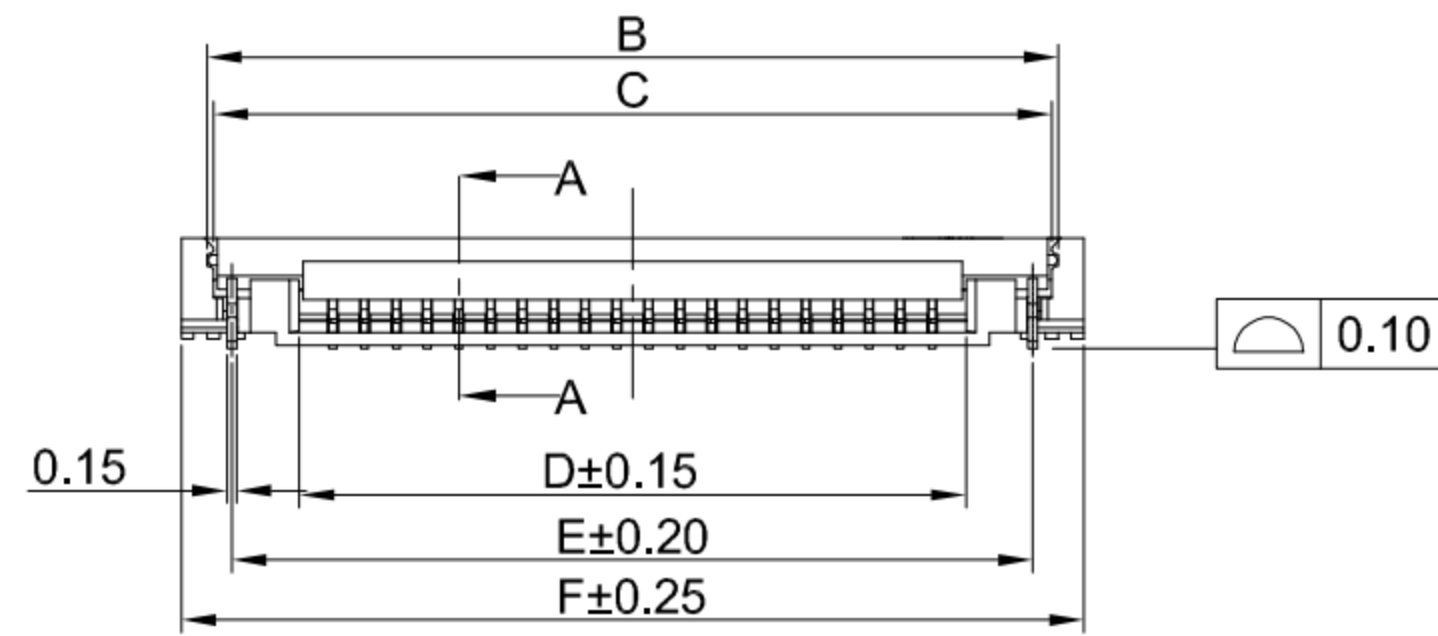
SECTION A-A(2:1)

G-Switch Specification:

1. Current rated: 0.5A AC/DC
2. Voltage rating: 50V AC/DC
3. Withstanding voltage: 250V AC
4. Contact resistance: 40mΩ max.
5. Insulation resistance: 500MΩ min
6. Durability cycle: 20Cycles
7. Removal force: 0.04kgf/Pin min
8. Operating temperature range: -25°C ~ +85°C



2



GT-F0512 S R 18 -XX X XX 01

G-Switch

Series No

Termipoint
S-SMT

Angle
R-90°

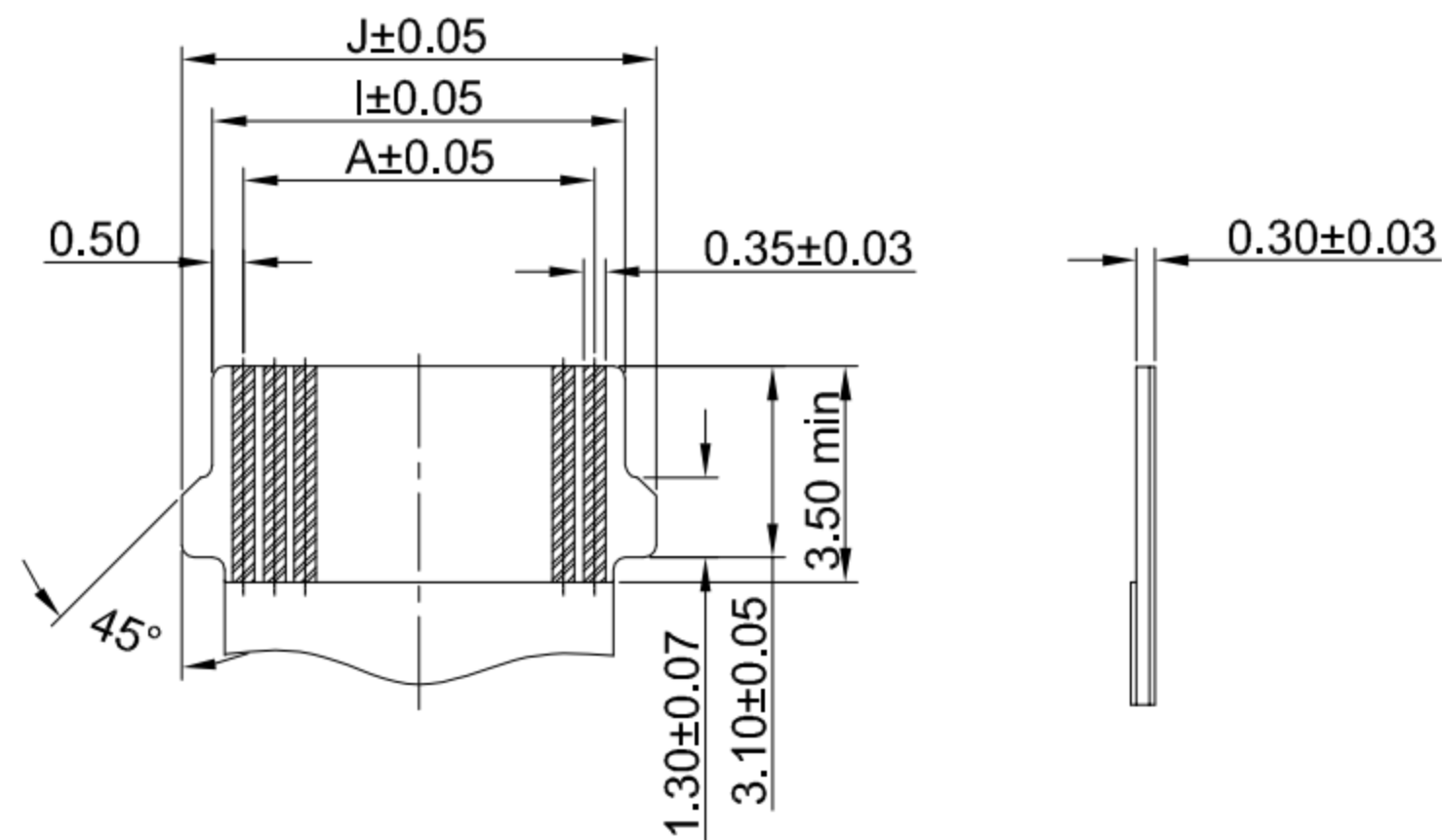
Terminal Plating
01-G/F

Housing Colour
S-Nature

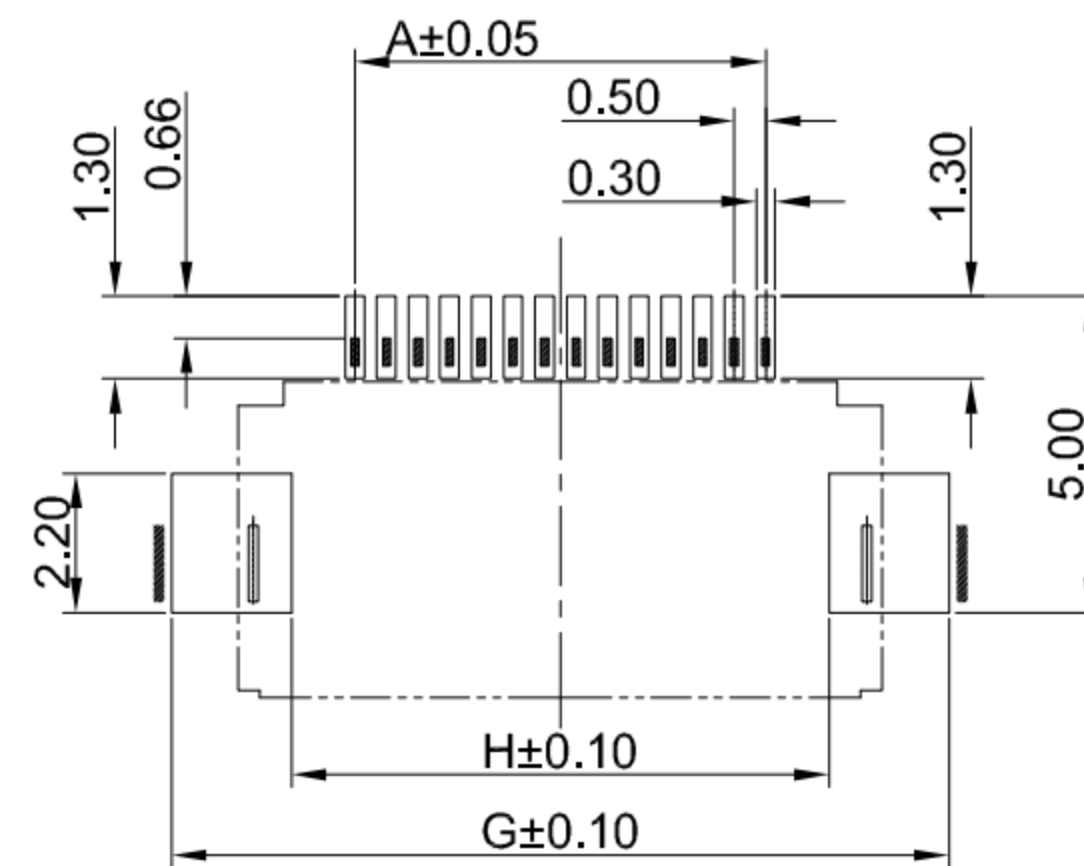
Pin Q' PY
04~50

Height
18: 1.80mm

3



APPLICABLE FLAT CABLE



RECOMMENDED PCB LAYOUT
TOLERANCE:±0.05

| Circuit | Dimensions(mm) | | | | | | | | | |
|---------|----------------|-------|-------|-------|-------|-------|-------|-------|-------|-------|
| | A | B | C | D | E | F | G | H | I | J |
| 04 | 1.50 | 5.29 | 5.47 | 2.57 | 4.70 | 6.30 | 7.30 | 3.50 | 2.50 | 3.90 |
| 06 | 2.50 | 6.29 | 6.47 | 3.57 | 5.70 | 7.30 | 8.30 | 4.50 | 3.50 | 4.90 |
| 08 | 3.50 | 7.29 | 7.47 | 4.57 | 6.70 | 8.30 | 9.30 | 5.50 | 4.50 | 5.90 |
| 10 | 4.50 | 8.29 | 8.47 | 5.57 | 7.70 | 9.30 | 10.30 | 6.50 | 5.50 | 6.90 |
| 12 | 5.50 | 9.29 | 9.47 | 6.57 | 8.70 | 10.30 | 11.30 | 7.50 | 6.50 | 7.90 |
| 14 | 6.50 | 10.29 | 10.47 | 7.57 | 9.70 | 11.30 | 12.30 | 8.50 | 7.50 | 8.90 |
| 15 | 7.00 | 10.79 | 10.97 | 8.07 | 10.20 | 11.80 | 12.80 | 9.00 | 8.00 | 9.40 |
| 20 | 9.50 | 13.29 | 13.47 | 10.57 | 12.70 | 14.30 | 15.30 | 11.50 | 10.50 | 11.90 |
| 26 | 12.50 | 16.29 | 16.47 | 13.57 | 15.70 | 17.30 | 18.30 | 14.50 | 13.50 | 14.90 |
| 30 | 14.50 | 18.29 | 18.47 | 15.57 | 17.70 | 19.30 | 20.30 | 16.50 | 15.50 | 16.90 |
| 40 | 19.50 | 23.29 | 23.47 | 20.57 | 22.70 | 24.30 | 25.30 | 21.50 | 20.50 | 21.90 |
| 50 | 24.50 | 28.29 | 28.47 | 25.57 | 27.70 | 29.30 | 30.30 | 26.50 | 25.50 | 26.90 |
| --- | --- | --- | --- | --- | --- | --- | --- | --- | --- | --- |

4

| NO. | PART NAME | MATERIAL | REMARK |
|-----|-------------|-----------------|----------------------------|
| 4 | SOLDER TABS | BRASS | MATTE Tin |
| 3 | CONTACT | PHOSPHOR BRONZE | Gold-flash on contact area |
| 2 | COVER | LCP,94V-0 | BLACK |
| 1 | HOUSING | LCP,94V-0 | NATURE |



SCALE: 1:1 UNIT: mm

SIZE: A4

Unless otherwise General Tolerance:

X ±0.50
X.x ±0.20
X.xx ±0.10
X* ±1°

Title: FPC 0.50mm Pitch 90° SMT With Lock H1.8mm connector

Molde Code: GT-F0512SR18-XXXXX01

| DRAWN | CHECKED | APPROVED | DATE |
|-------|---------|----------|------------|
| Hu | Chen | Chen | 2022.12.28 |



REV: A0 SHEET: 1/1

5