

1

2

3

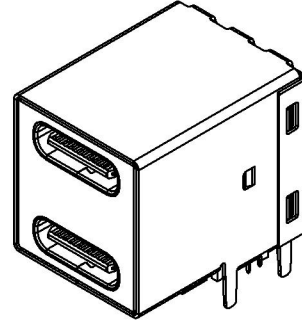
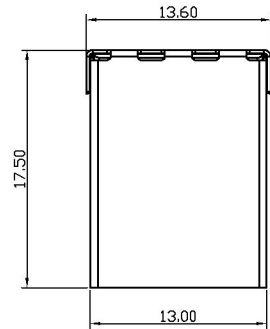
4

5

6

REV	MODIFICATION	DRAW	DATE
A.00	新版发行		20201125

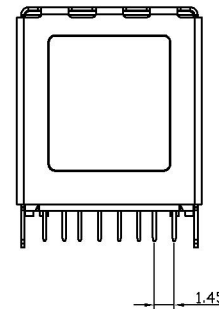
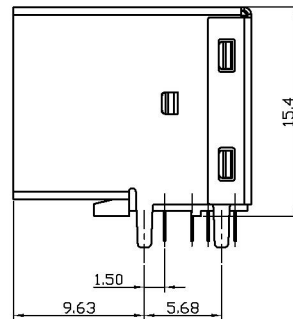
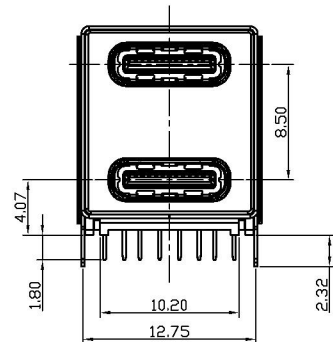
A



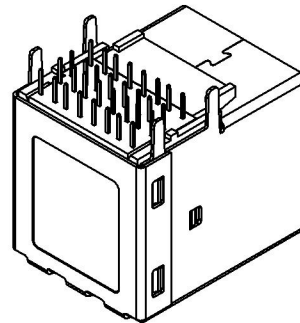
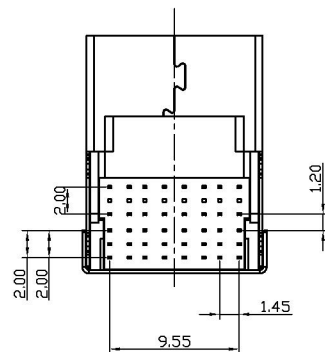
B

- NOTES:
- HOUSING: LCP, UL 94V-0, COLOR- BLUE (PANTONE 300C) OR BLACK
 - BOTTOM COVER: LCP, UL 94V-0,COLOR- BLUE (PANTONE 300C) OR BLACK
 - CONTACT: USB3 C2680-H T=0.25mm ; USB2 C5191-H T=0.25mm
30 μ " MIN. GOLDPLATED ON CONTACT AREA, 120 μ " MIN. MATTE TIN PLATED ON SOLDERING TAIL,80 μ " MIN. NICKEL UNDER-PLATED OVERALL
 - FRONT SHELL: SUS304-1/2H, T=0.25mm, 30 μ " MIN. NICKEL PLATED OVER ALL, 100 μ " MIN. MATTE TIN PLATED ON SOLDERING TAIL,
 - MIDDLE SHELL: SUS304-1/2H, T=0.25mm,
 - REAR SHELL: SUS304-1/2H, T=0.20mm,
 - THIS PRODUCT DOESN'T CONTAIN ENVIRONMENTAL HAZARDOUS PER DIRECTIVE 2011/65/EU FOR RoHS COMPLIANT. OR PER IEC 61249-2-21 FOR HALOGEN-FREE COMPLIANT.

C



D



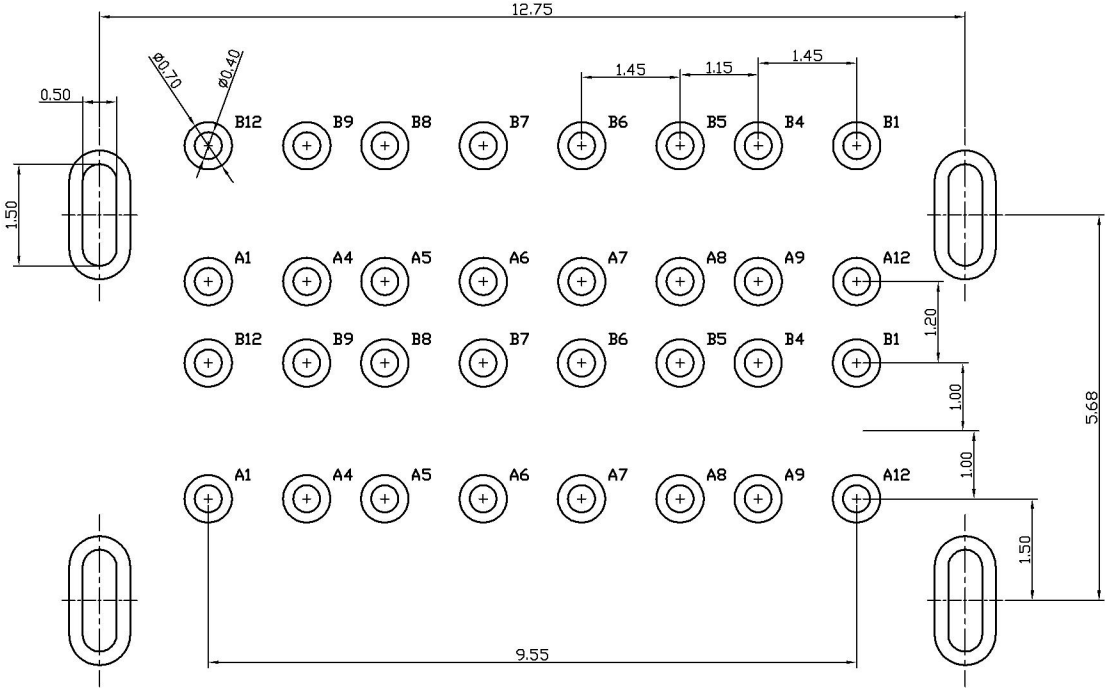
E

圖號: (DRAWNO) 1	LINEAR	ANGLE	深圳市连欣科技有限公司					
	. X 14	. X 17						
	. XX 15	. X 18						
產品名稱: (PARTNAME) TYPE C 16PIN 双层 板上 CONNECT	. XXX 16	. XX 19	產品料號: (PARTNO) XUBF-0336-16B04					
	核對: (APPRO. BY) 3	廠內料號: (PARTNO) 6		客戶料號: (CLIENTNO) 8		數量: (CNUM) 13		
設計: (DESIGN BY) 4	繪圖: (DAWG BY) 5		單位: (UNIT) 9	比例: (SCALE) 10	張數: (PAPERS) 11	版本: (REV) 12		

REV	MODIFICATION	DRAW	DATE
A.00	新版发行		20201125

USB TYPE-C FULL-FEATURED RECEPTACLE INTERFACE PIN ASSIGNMENTS

PIN	Signal Name	Description	PIN	Signal Name	Description
A1	GND	Ground return	B12	GND	Ground return
A4	V _{BUS}	Bus Power	B9	V _{BUS}	Bus Power
A5	CC1	Configuration Channel	B8	SBU2	Sideband Use (SBU)
A6	Dp1	Positive half of the USB 2.0 differential pair-Position 1	B7	Dn2	Negative half of the USB 2.0 differential pair-Position 2
A7	Dn1	Negative half of the USB 2.0 differential pair-Position 1	B6	Dp2	Positive half of the USB 2.0 differential pair-Position 2
A8	SBU1	Sideband Use(SBU)	B5	CC2	Configuraation Channel
A9	V _{BUS}	Bus Power	B4	V _{BUS}	Bus Power
A12	GND	Ground return	B1	GND	Ground return



RECOMMENDED PCB LAYOUT(TOP VIEW)
(DEFAULT TOLERANCE:±0.05)

圖號: (DRAWNO)		LINEAR		ANGLE		深圳市连欣科技有限公司					
1		.X	14	.X	17						
		.XX	15	.X	18						
		.XXX	16	.XX	19						
產品名稱: (PARTNAME)				產品料號:(PARTNO)							
TYPE C 16PIN 双层 板上 CONNECT				XUBF-0336-16B04							
核對:	3	廠內料號: (PARTNO)				客戶料號: (CLIENTNO)				數量:	
設計:	4	6				8				13	
繪圖:	5	單位:	9	比例:	10	張數:	11	版本:	12		
DAWG. BY		UNIT:		SCALE:		PAPERS:		REV:			

