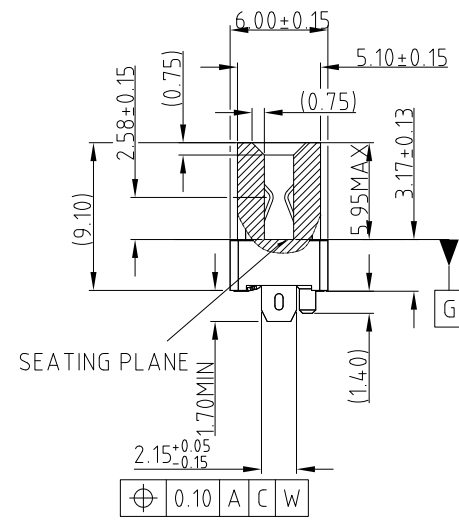
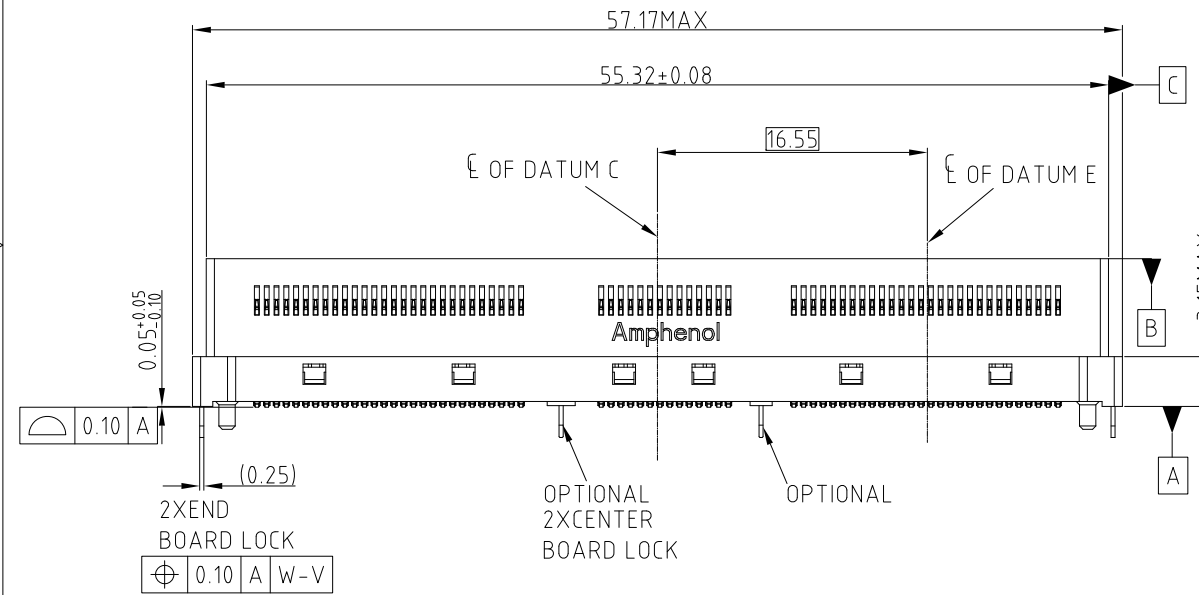
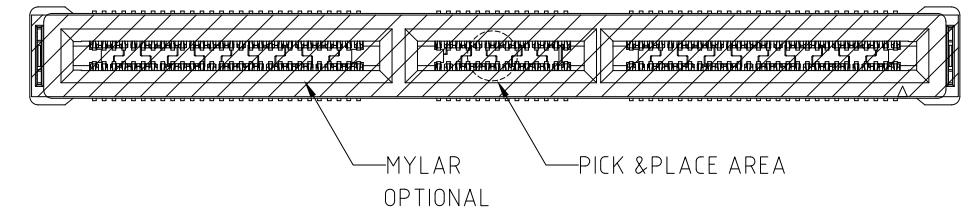
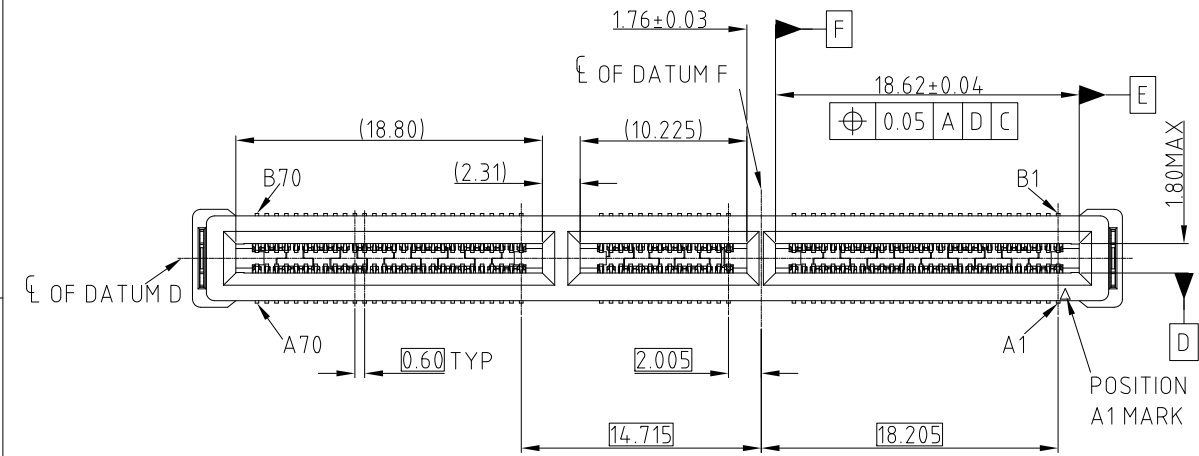


This document is the property of Amphenol Corporation and is delivered on the express condition that it is not to be disclosed, reproduced or used, in whole or in part, for manufacture or sale by anyone other than Amphenol Corporation without its prior consent, & that no right is granted to disclose or to use any information in this document.

CUSTOMER DRAWING

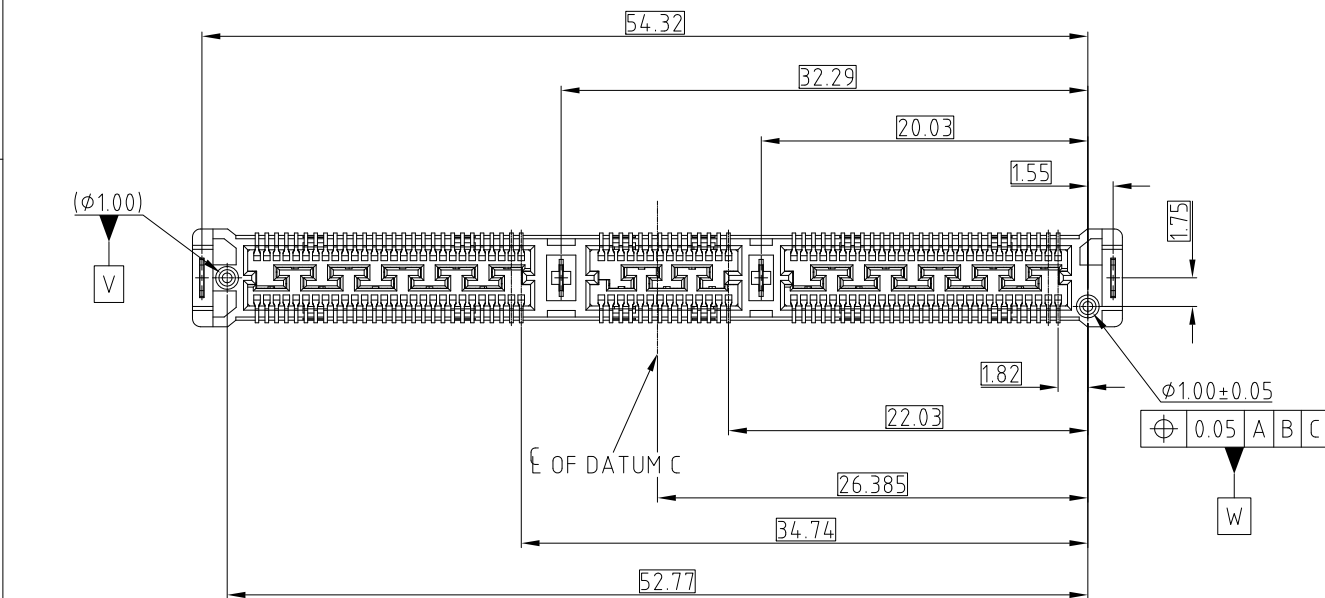
REVISIONS

SYM	ECN	DESCRIPTION	DATE	APPROVED
4	CDXXXX	REVISE THE PCB GOLD FINGER	Jul.18,2018	
5	CDXXXX	ADD PICK UP CAP	Aug.15,2018	
6	CDXXXX	UPDATED BY SFF TA 1002 V 1.1.3	Nov.05,2018	
7	CDXXXX	CHANGE THE CAP TO MYLAR	Dec.18,2018	
8	CDXXXX	OPTIMIZED SOME FEATURE	Jan.15,2019	
9	CD1750	OFFICIAL RELEASE AND ADD P/N LIST TABLE	Jul.01,2019	YH
10	CD1853	STANDARDIZATION OF WAFER	Sep.24,2019	YH
11	CD2186	UPDATED THE BOARD LOCK SPEC	Jul.03,2020	YH



NOTE:

- MATERIAL:**
HOUSING: HIGH TEMPERATURE THERMOPLASTIC BLACK UL94-V0
CONTACT: COPPER ALLOY
BOARDLOCK: COPPER ALLOY
- PLATING:**
CONTACT: Au PLATING AT MATING AREA DETAILS REFER TO PAGE 3 PART NUMBER
1.27µm MIN TIN AT SOLDER AREA 1.27-2.54 µm NICKEL PLATED ALL OVER
BOARDLOCK: 1.27µm MIN TIN OVER 1.27-2.54µm NICKEL UNDERPLATED
- ELECTRICAL PERFORMANCE:**
RATED CURRENT : 1.1A/PIN UP TO 12PINS
LLCR:30mΩ MAX, DELTA 15 mΩ.
INSULATION RESISTANCE: 1000MΩ MIN
- MATERIAL SHOULD BE FULFILLED AMPHENOL SPEC# S-SN-002 AND S-SN-004.**
- ORDERING PART NUMBER REFER TO PAGE 3 PART NUMBER LIST TABLE**



UNLESS OTHERWISE SPECIFIED TOLERANCES	
U.S.	METRIC
.X +/-	0.25
.XX +/-	0.20
.XXX +/-	0.15
FRACTIONS +/-	
ANGLES +/-	5°

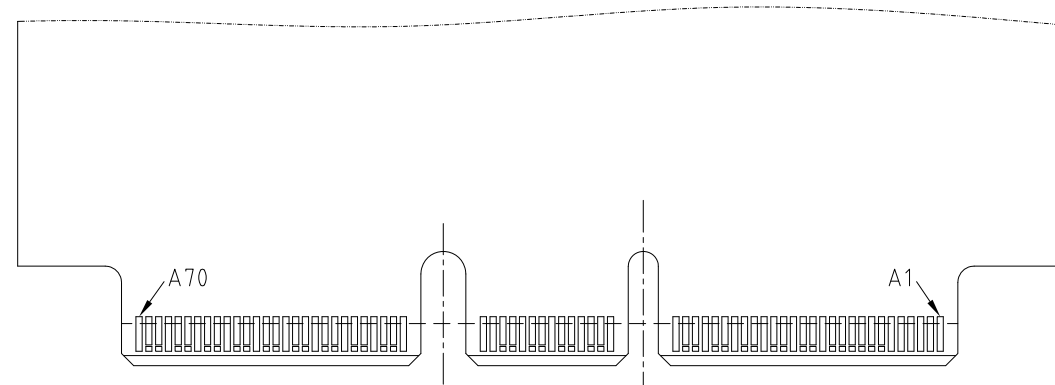
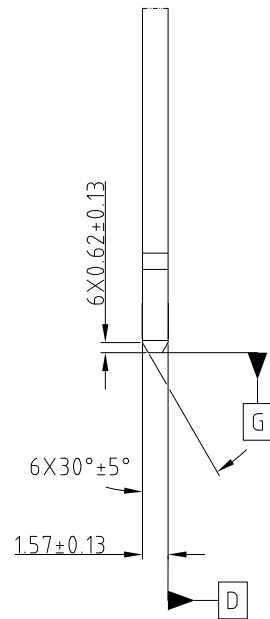
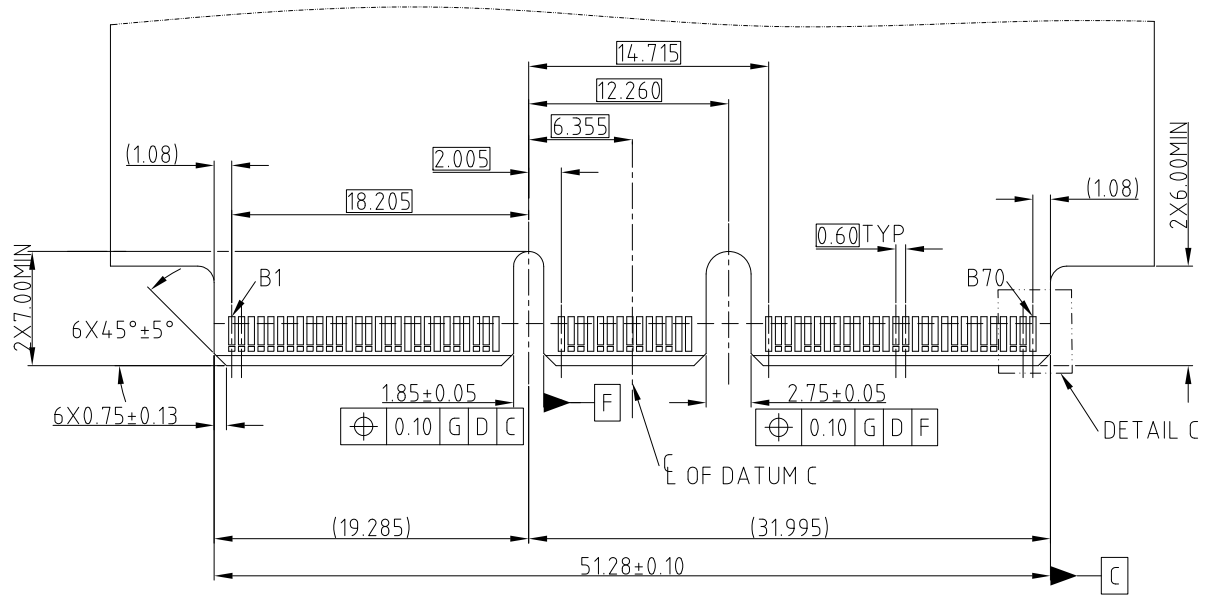
APPROVAL		DATE
DRAWN Rocky		Jul.03,2020
CHECKED Ly.Yi		Jul.03,2020
APPROVED		
DRAWING FILE :		
INTERNAL\DRAWING\ME\C ME101401010X01X		
REMOVE SHARP EDGES		
ANGLE OF PROJECTION		
DIMENSIONS		
—U.S.—	INCHES	
(METRIC)	(mm)	

Amphenol		
TITLE MINI COOL EDGE CONNECTOR 140P V/T 0.6MM PITCH SMT		
SIZE A3	DRAWING NO. C ME101401010X01X	REV. 11
SCALE NONE	SHEET 1 OF 4	

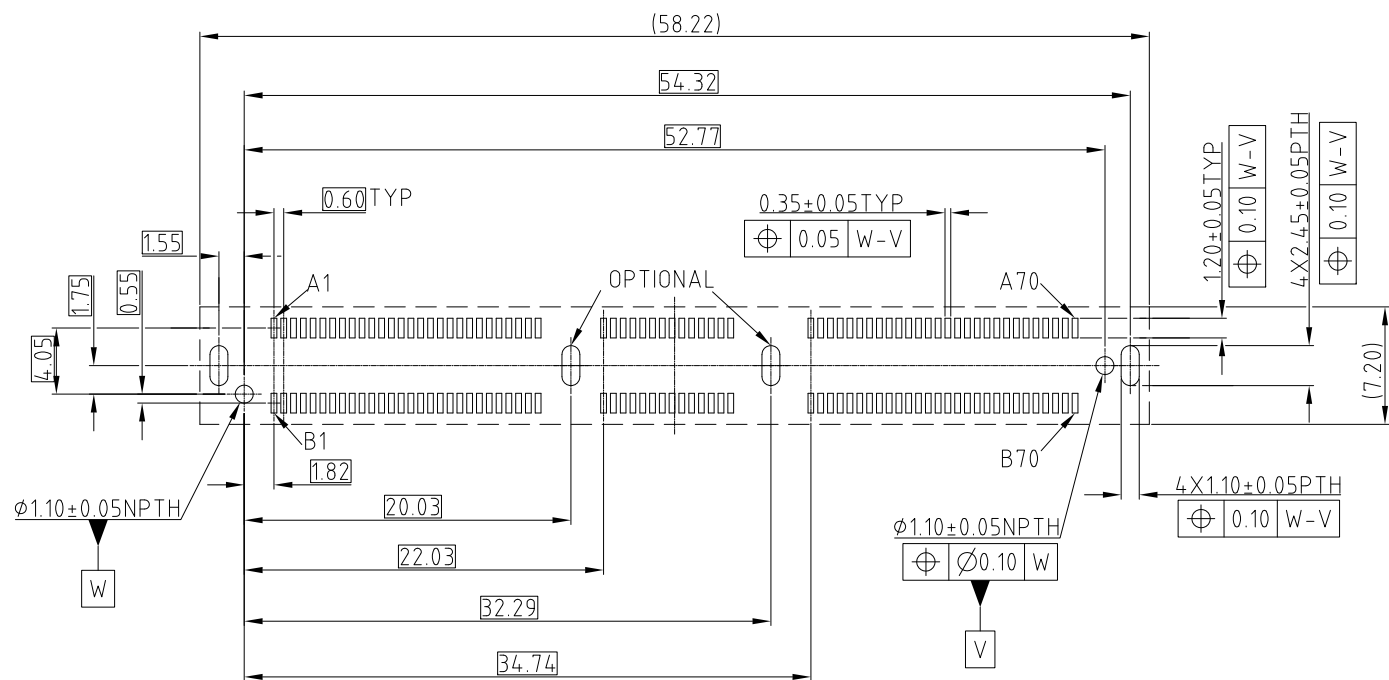
This document is the property of Amphenol Corporation and is delivered on the express condition that it is not to be disclosed, reproduced or used, in whole or in part, for manufacture or sale by anyone other than Amphenol Corporation without its prior consent, & that no right is granted to disclose or to use any information in this document.

CUSTOMER DRAWING

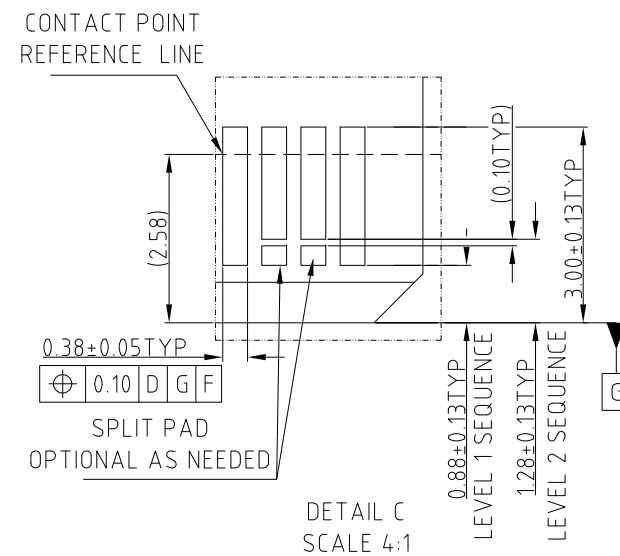
REVISIONS				
SYM	ECN	DESCRIPTION	DATE	APPROVED
		SEE SHEET 1		



RECOMMENDED AIC MATING CARD



RECOMMENDED FOOTPRINT



DETAIL C
SCALE 4:1



UNLESS OTHERWISE SPECIFIED TOLERANCES	
U.S.	METRIC
.X +/-	0.25
.XX +/-	0.20
.XXX +/-	0.15
FRACTIONS +/-	5°
ANGLES +/-	
FOR MATERIALS AND FINISHES SEE NOTES	
REMOVE SHARP EDGES	
DIMENSIONS	
—U.S.—	INCHES
(METRIC)	(mm)

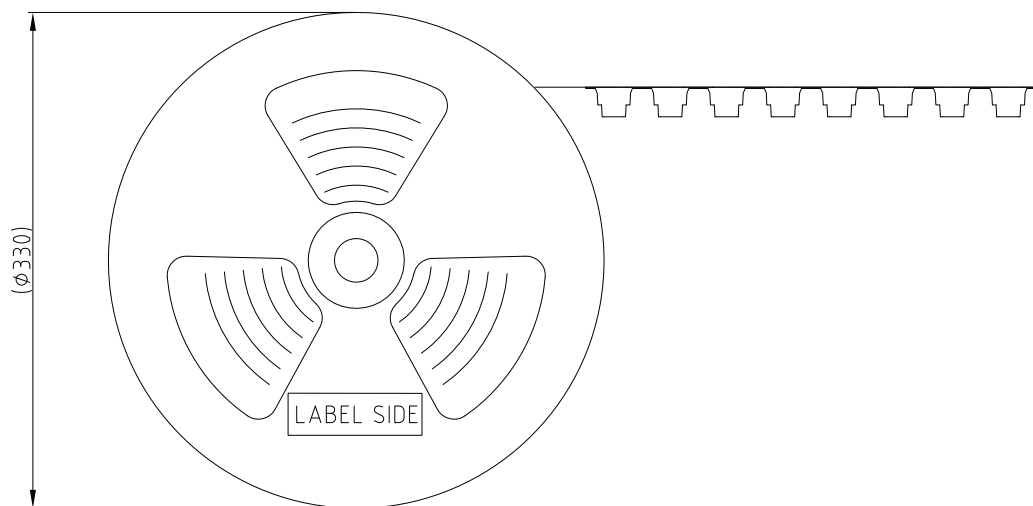
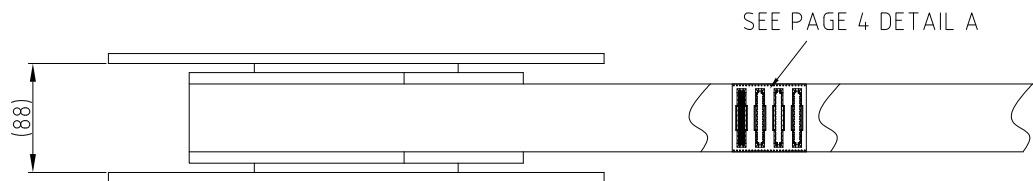
APPROVAL	DATE
DRAWN Rocky	Jul.03,2020
CHECKED Ly.Yi	Jul.03,2020
APPROVED	
DRAWING FILE :	
INTERNAL\DRAWING\ME\ C ME101401010X01X	
ANGLE OF PROJECTION	

Amphenol		
TITLE		
MINI COOL EDGE CONNECTOR		
140P V/T 0.6MM PITCH SMT		
SIZE	DRAWING NO.	REV.
A3	C ME101401010X01X	11
SCALE	NONE	SHEET 2 OF 4

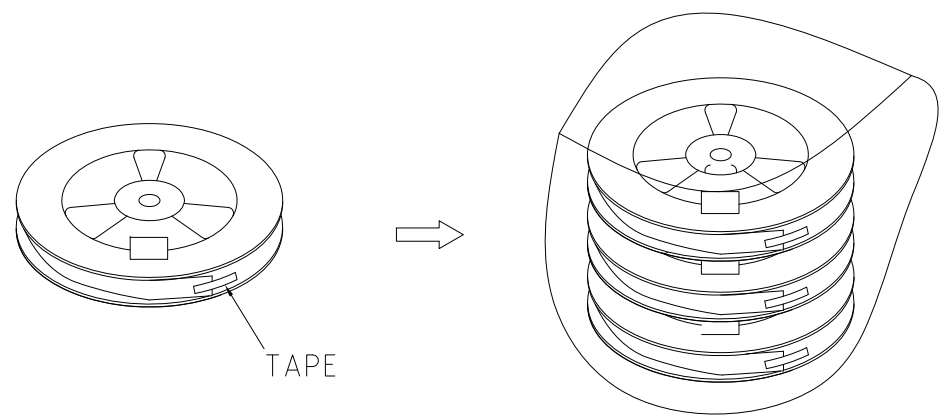
This document is the property of Amphenol Corporation and is delivered on the express condition that it is not to be disclosed, reproduced or used, in whole or in part, for manufacture or sale by anyone other than Amphenol Corporation without its prior consent, & that no right is granted to disclose or to use any information in this document.

CUSTOMER DRAWING

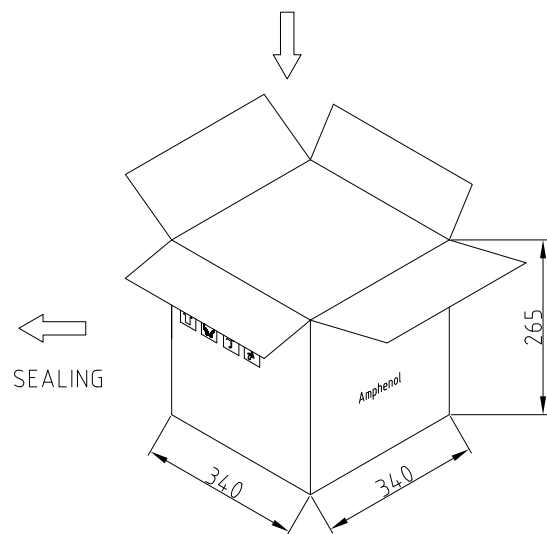
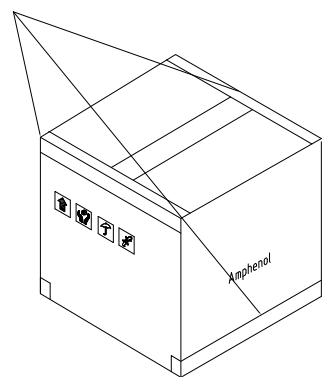
REVISIONS				
SYM	ECN	DESCRIPTION	DATE	APPROVED
		SEE SHEET 1		



USER DIRECTION OF UNREELING →



STICK ADHESIVE TAPE ON MASTER BOX



PART NUMBER	PLATING	CARRIER TAPE PITCH	PACKAGE QUANTITY	MYLAR	BOARD LOCK				
ME1014.010108014	G/F+PdNi	24	200/REEL 600/CARTON	NO	ENDS				
ME1014.010108013	GOLD FLASH								
ME1014.010108012	0.38um Au								
ME1014.010108011	0.76um Au								
ME1014.010107014	G/F+PdNi								
ME1014.010107013	GOLD FLASH								
ME1014.010107012	0.38um Au								
ME1014.010107011	0.76um Au								
ME1014.010106014	G/F+PdNi								
ME1014.010106013	GOLD FLASH								
ME1014.010106012	0.38um Au								
ME1014.010106011	0.76um Au								
ME1014.010105014	G/F+PdNi								
ME1014.010105013	GOLD FLASH								
ME1014.010105012	0.38um Au								
ME1014.010105011	0.76um Au								
ME1014.010104014	G/F+PdNi					16	300/REEL 900/CARTON	NO	ENDS
ME1014.010104013	GOLD FLASH								
ME1014.010104012	0.38um Au								
ME1014.010104011	0.76um Au								
ME1014.010103014	G/F+PdNi								
ME1014.010103013	GOLD FLASH								
ME1014.010103012	0.38um Au								
ME1014.010103011	0.76um Au								
ME1014.010102014	G/F+PdNi								
ME1014.010102013	GOLD FLASH								
ME1014.010102012	0.38um Au								
ME1014.010102011	0.76um Au								
ME1014.010101014	G/F+PdNi								
ME1014.010101013	GOLD FLASH								
ME1014.010101012	0.38um Au								
ME1014.010101011	0.76um Au								

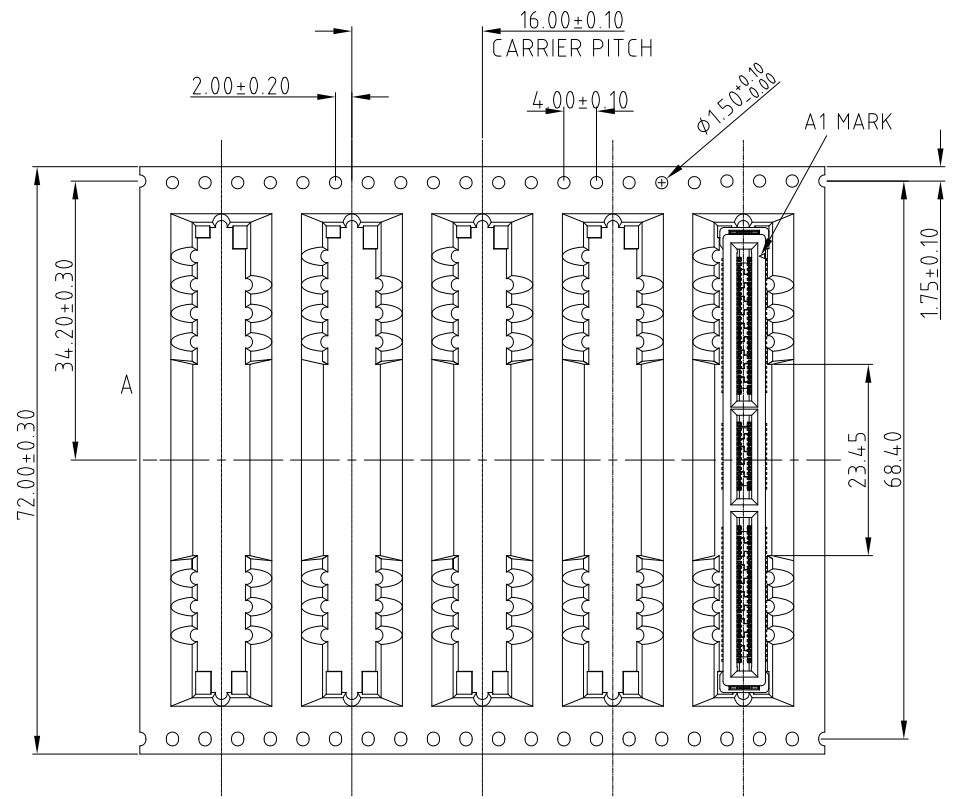
PART NUMBER LIST TABLE

UNLESS OTHERWISE SPECIFIED TOLERANCES U.S. METRIC .X +/- 0.25 .XX +/- 0.20 .XXX +/- 0.15 FRACTIONS +/- ANGLES +/- 5° FOR MATERIALS AND FINISHES SEE NOTES REMOVE SHARP EDGES DIMENSIONS —U.S.— INCHES (METRIC) (mm)	APPROVAL DRAWN Rocky CHECKED Ly.Yi APPROVED	DATE Jul.03,2020 Jul.03,2020	Amphenol TITLE MINI COOL EDGE CONNECTOR 140P V/T 0.6MM PITCH SMT	
	DRAWING FILE : INTERNAL\DRAWING\ME\ C ME101401010X01X			SCALE NONE
	ANGLE OF PROJECTION 			SHEET 3 OF 4

This document is the property of Amphenol Corporation and is delivered on the express condition that it is not to be disclosed, reproduced or used, in whole or in part, for manufacture or sale by anyone other than Amphenol Corporation without its prior consent, & that no right is granted to disclose or to use any information in this document.

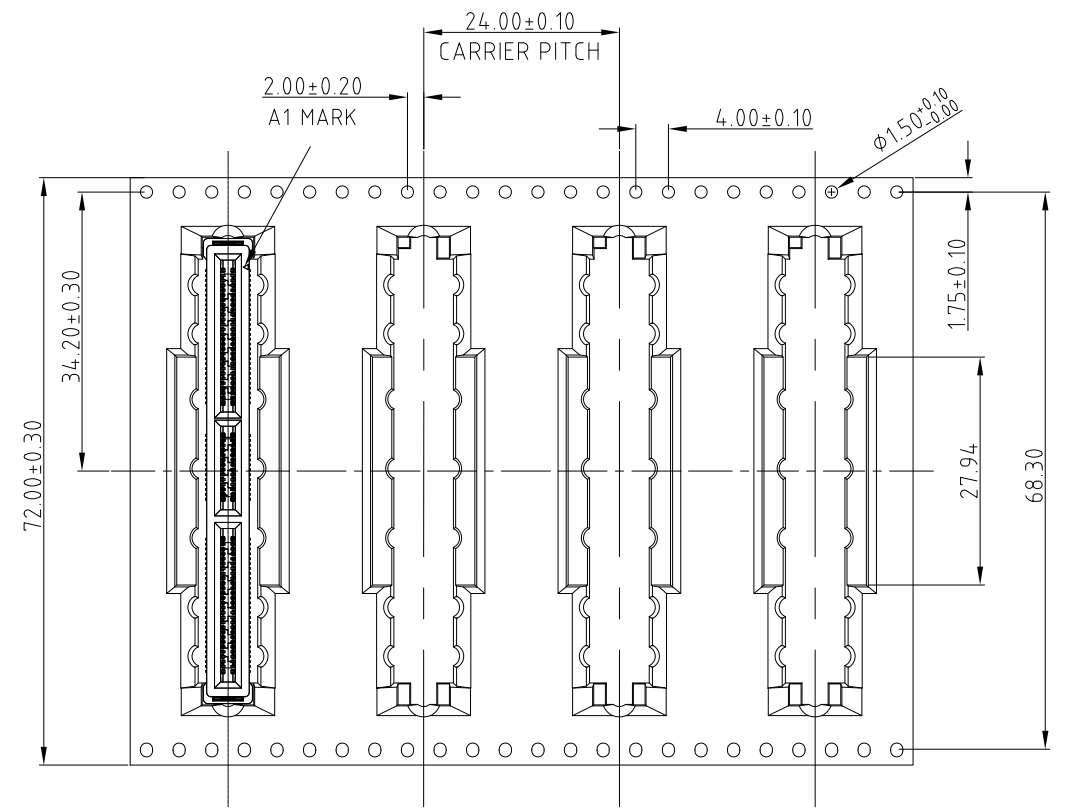
CUSTOMER DRAWING

REVISIONS				
SYM	ECN	DESCRIPTION	DATE	APPROVED
		SEE SHEET 1		



USER DIRECTION OF UNREELING

DETAIL A
SCALE 1:2
OPTIONAL 1



USER DIRECTION OF UNREELING

DETAIL A
SCALE 1:2
OPTIONAL 2



UNLESS OTHERWISE SPECIFIED TOLERANCES	
U.S.	METRIC
.X +/-	0.25
.XX +/-	0.20
.XXX +/-	0.15
FRACTIONS +/-	
ANGLES +/-	5°
FOR MATERIALS AND FINISHES SEE NOTES	
REMOVE SHARP EDGES	
DIMENSIONS	
—U.S.—	INCHES
(METRIC)	(mm)

APPROVAL		DATE
DRAWN	Rocky	Jul.03,2020
CHECKED	Ly.Yi	Jul.03,2020
APPROVED		
DRAWING FILE :		
INTERNAL\DRAWING\ME\ C ME101401010X01X		
ANGLE OF PROJECTION		

Amphenol		
TITLE		
MINI COOL EDGE CONNECTOR 140P V/T 0.6MM PITCH SMT		
SIZE	DRAWING NO.	REV.
A3	C ME101401010X01X	11
SCALE	NONE	SHEET 4 OF 4