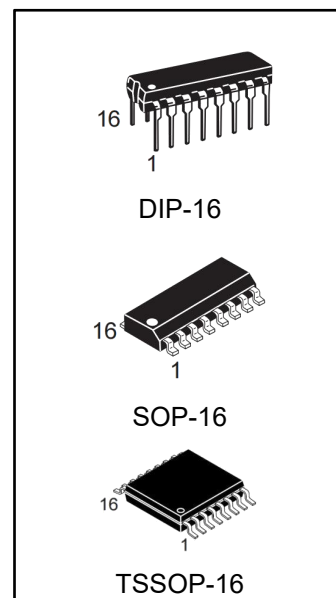


## INTERFACE TRANSCEIVER OF RS-232 STANDARD WITH ONE SUPPLY VOLTAGE

### Description

IC HX232 is purposed for application in high-performance information processing systems and control devices of wide application.

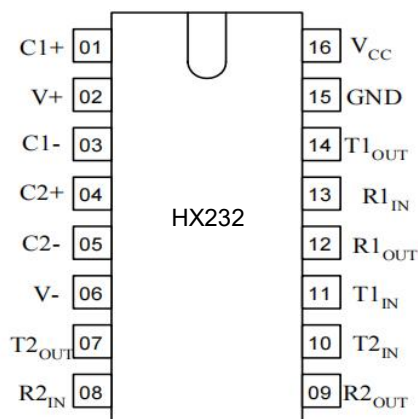
- Input voltage levels are compatible with standard CMOS levels.
- Output voltage levels are compatible with input levels of C-MOS, N-MOS and TTL integrated circuits.
- Supply voltage range from 2.0 to 6.0 V.
- Low input current: 1.0 mA; 0.1 mA at Ta= 25°C
- Output current 24 mA.
- Latching current not less than 450 mA at Ta= 25°C
- Tolerable value of static potential not less than 2000V



### Ordering Information

DEVICE	Package Type	MARKING	Packing	Packing Qty
HX232EIPG	DIP-16	HX232EI	TUBE	1000pcs/box
HX232EIDRG	SOP-16	HX232EI	REEL	2500pcs/reel
HX232EIPWRG	TSSOP-16	HX232EI	REEL	2500pcs/reel

## Pin symbols in package



## Table of pin description

	Symbol	Pin name
01	C1+	Output of external capacitance of positive voltage multiplier unit
02	V+	Output of positive voltage of multiplier unit
03	C1-	Output of external capacitance of positive voltage multiplier unit
04	C2+	Output of external capacitance of negative voltage multiplier unit
05	C2-	Output of external capacitance of negative voltage multiplier unit
06	V-	Output of negative voltage of multiplier unit
07	T2OUT	Output of transmitter data (levels RS – 232)
08	R2IN	Input of receiver data (levels RS – 232)
09	R2OUT	Output of receiver data (levels TTL/KMOS)
10	T2IN	Input of transmitter data (levels TTL/KMOS)
11	T1IN	Input of transmitter data (levels TTL/KMOS)
12	R1OUT	Output of receiver data (levels TTL/KMOS)
13	R1IN	Input of receiver data (levels RS – 232)
14	T1OUT	Output of transmitter data (levels RS – 232)
15	GND	Common output
16	VCC	Supply output of voltage source

## Truth table

Inputs	Outputs
R <sub>IN</sub> , T <sub>IN</sub>	R <sub>OUT</sub> , T <sub>OUT</sub>
H	L
L	H

Note -H – voltage high level;L – low voltage level

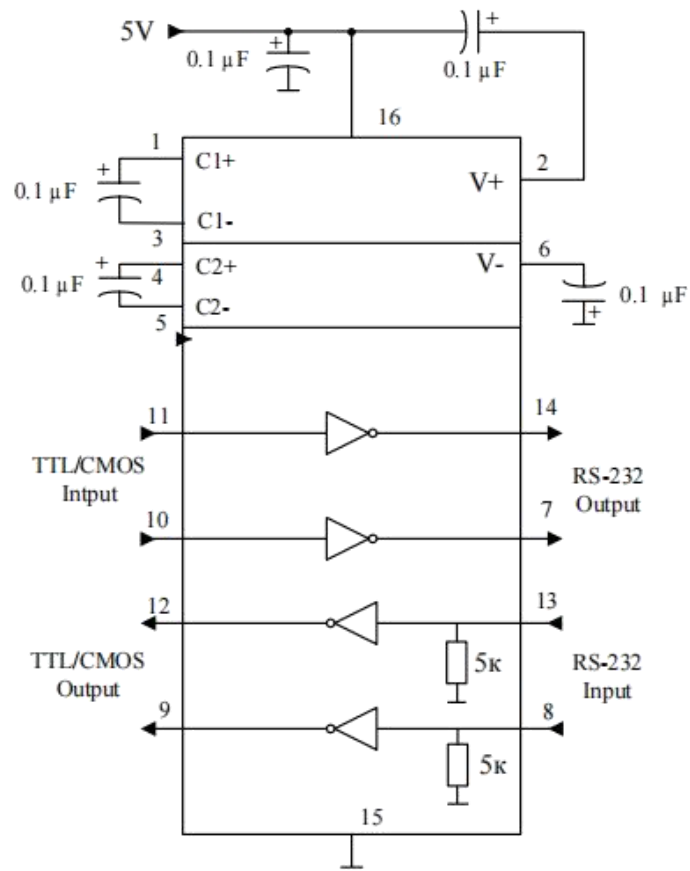
## Maximum conditions

Symbol	Parameter	Rate		Unit
		min	max	
V <sub>CC</sub>	Supply voltage	-0.3	6.0	V
V <sub>+</sub>	Transmitter high output voltage	V <sub>CC</sub> -0.3	14	
V <sub>-</sub>	Transmitter low output voltage	-0.3	-14	
V <sub>TIN</sub>	Transmitter input voltage	-0.3	V <sub>+</sub> +0.3	
V <sub>RIN</sub>	Receiver input voltage	-30	30	
P <sub>D</sub>	Dissipated power	-		mW
	DIP – package		842	
	SOP - package		762	
ISC	Output current of transmitter short circuit	-	Continu-ously	mA
T <sub>a</sub>	Ambient temperature	-60	150	°C
T <sub>L</sub>	Lead Temperature (Soldering, 10 seconds)	-	245	°C

**Note:** Absolute Maximum Ratings indicate limits beyond which damage to the device may occur. Operating Ratings indicate conditions for which the device is intended to be functional, but specific performance is not ensured.

## Recommended Operating Conditions

Symbol	Parameter	Rate		Unit
		min	max	
V <sub>CC</sub>	Supply voltage	4.5	5.5	V
V <sub>+</sub>	Transmitter output high voltage	5.0	-	
V <sub>-</sub>	Transmitter output low voltage	-5.0	-	
V <sub>TIN</sub>	Transmitter input voltage	0	V <sub>CC</sub>	
V <sub>RIN</sub>	Receiver input voltage	-30	30	
ISC	Transmitter short circuit output current	-	±60	mA
T <sub>a</sub>	Ambient temperature	-40	85	°C

**Typical Application**


**Electrical Characteristics**

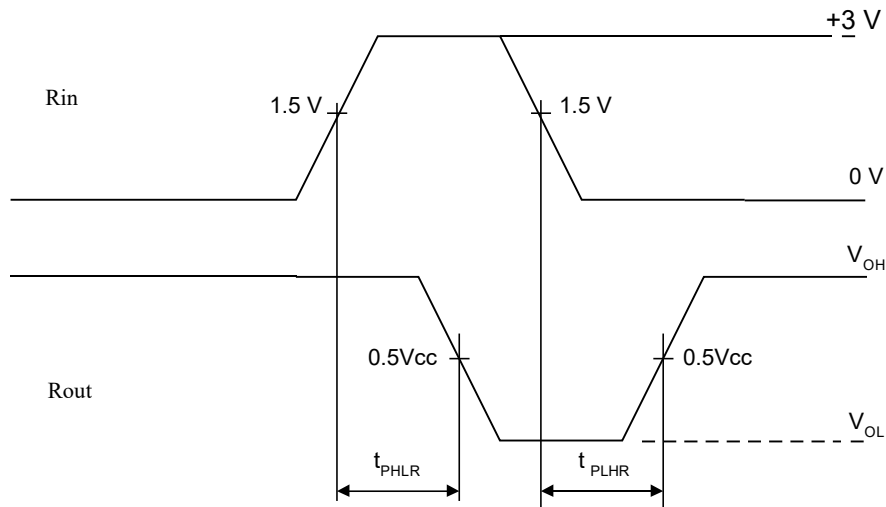
Symbol	Parameter	Test conditions	Rate				Unit
			25°C		-40°C to 85°C		
			min	max	min	max	
ICC	Consumption current static	$V_{CC} = 5.5 V$ , $V_{IL} = 0 V$	-	10.0	-	14.0	mA
<b>Receiver electrical parameters</b>							
$V_h$	Hysteresis voltage	$V_{CC} = 5.0 V$	0.2	0.9	0.2	1.0	V
$V_{On}$	On (operation) voltage	$V_O \leq 0.1 V$ $I_{OL} \leq 20 \text{ mA}$	-	2.4	-	2.3	
$V_{off}$	Off (dropout) voltage	$V_O \geq V_{CC} - 0.1 V$ $I_{OH} \leq 20 \text{ mA}$	0.8	-	0.9	-	
$V_{OL}$	Output low voltage	$I_{OL} = 3.2 \text{ mA}$ $V_{CC} = 4.5 V$ $V_{IH} = 2.4 V$	-	0.3	-	0.4	
$V_{OH}$	Output high voltage	$I_{OH} = -1.0 \text{ mA}$ $V_{CC} = 4.5 V$ $V_{IL} = 0.8 V$	3.6	-	3.5	-	
$R_i$	Input resistance	$V_{CC} = 5.0 V$	3.0	7.0	3.0	7.0	kOhm
<b>Transmitter electrical parameters</b>							
$V_{OL}$	Output low voltage	$V_{CC} = 4.5 V$ $V_{IH} = 2.0 V$ $R_L = 3.0 \text{ kOhm}$	-	-5.2	-	-5.0	V
$V_{OH}$	Output high voltage	$V_{CC} = 4.5 V$ $V_{IL} = 0.8 V$ $R_L = 3.0 \text{ kOhm}$	5.2	-	5.0	-	
$I_{IL}$	Input low current	$V_{CC} = 5.5 V$ $V_{IL} = 0 V$	-	-1.0	-	-10.0	mA
$I_{IH}$	Input high current	$V_{CC} = 5.5 V$ $V_{IH} = V_{CC}$		1.0		10.0	
SR	Speed of output front change	$V_{CC} = 5.0 V$ $C_L = 50 - 1000 \text{ pF}$ $R_L = 3.0 - 7.0 \text{ kOhm}$	3.0	30	2.7	27	V/mks
$R_o$	Output resistance	$V_{CC} = V_+ = V_- = 0 V$ $V_O = 2 V$	350	-	300	-	Ohm
ISC	Short circuit output current	$V_{CC} = 5.5 V$ $V_O = 0 V$ $V_I = V_{CC}$ $V_I = 0 V$		-50 50		-60 60	mA
ST	Speed of information transmission	$V_{CC} = 4.5 V$ $C_L = 1000 \text{ pF}$ $R_L = 3.0 \text{ kOhm}$ $t_W = 7 \text{ mks}$ (for extreme $-t_W = 8 \text{ mks}$ )	140	-	120	-	

Symbol	Parameter	Test conditions	Rate				Unit
			25°C		-40°C to 85°C		
			min	max	min	max	
t <sub>PHLR</sub> (t <sub>PLHR</sub> )	Signal propagation delay time when switching on (off)	V <sub>CC</sub> = 4.5 V C <sub>L</sub> = 150 pF V <sub>IL</sub> = 0 V V <sub>IH</sub> = 3.0 V t <sub>LH</sub> = t <sub>HL</sub> ≤ 10 ns	-	9.7	-	10	mks
t <sub>PHLT</sub> (t <sub>PLHT</sub> )	Signal propagation delay time when switching on (off)	V <sub>CC</sub> = 4.5 V C <sub>L</sub> = 2500 pF V <sub>IL</sub> = 0 V V <sub>IH</sub> = 3.0 V R <sub>L</sub> = 3 kOhm t <sub>LH</sub> = t <sub>HL</sub> ≤ 10 ns	-	5.0*	-	6.0*	

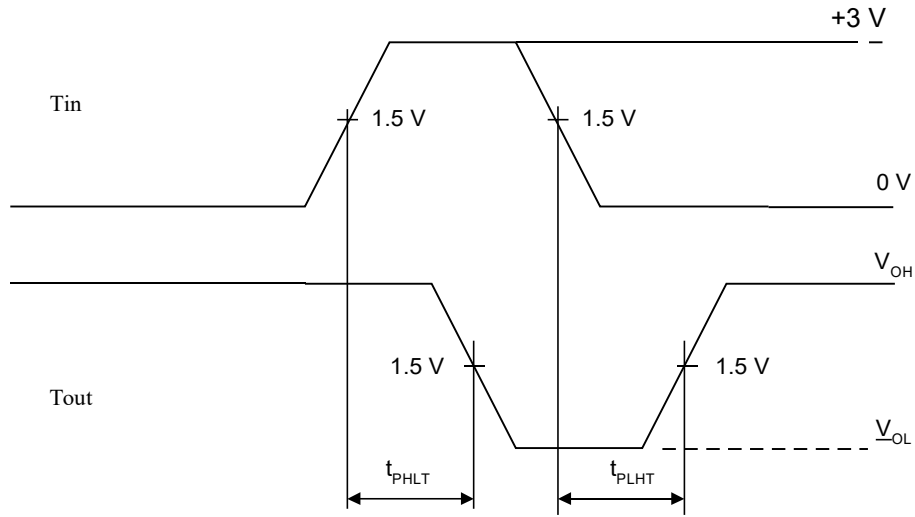
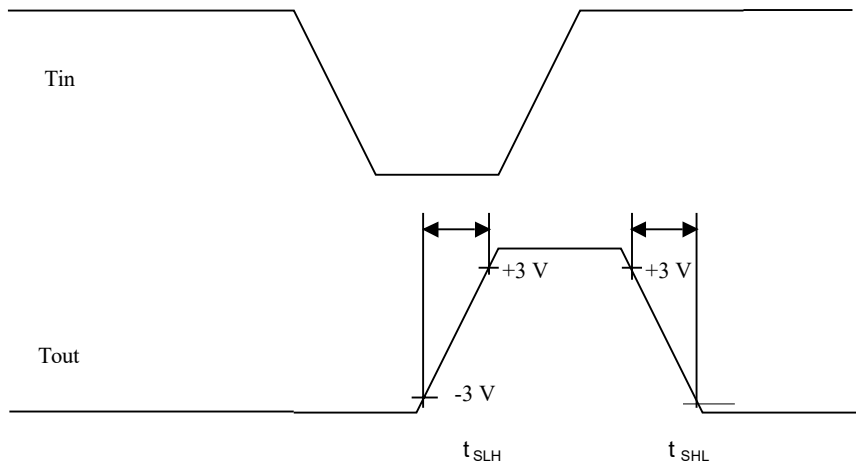
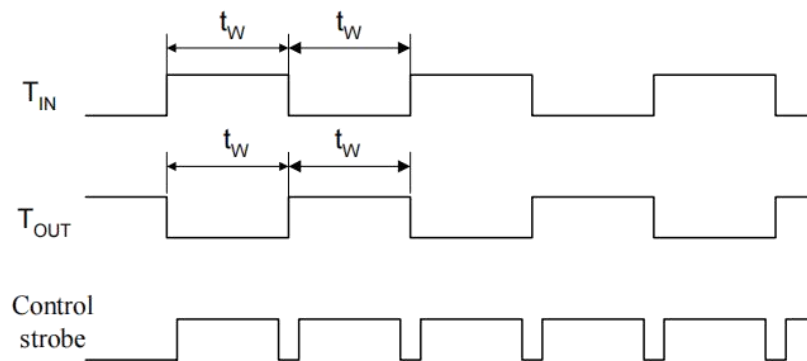
### Capacitance

Symbol	Parameter	V <sub>CC</sub> , V	Rate	Unit
C <sub>IN</sub>	Input capacitance	5.0	9.0	pF
CPD	Dynamic capacitance		90	

### Timing diagram when measuring IC dynamic parameters

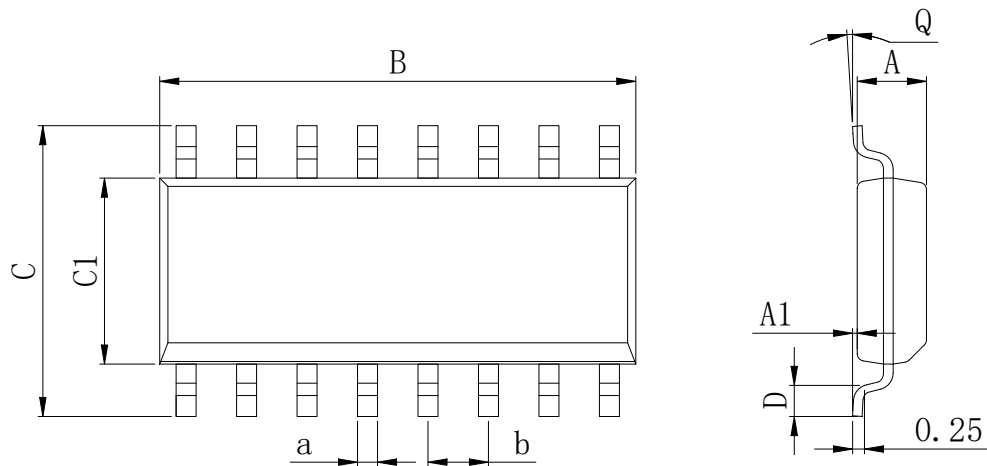


**Figure 3**


**Figure 4**

**Figure 5**

**Figure 6**

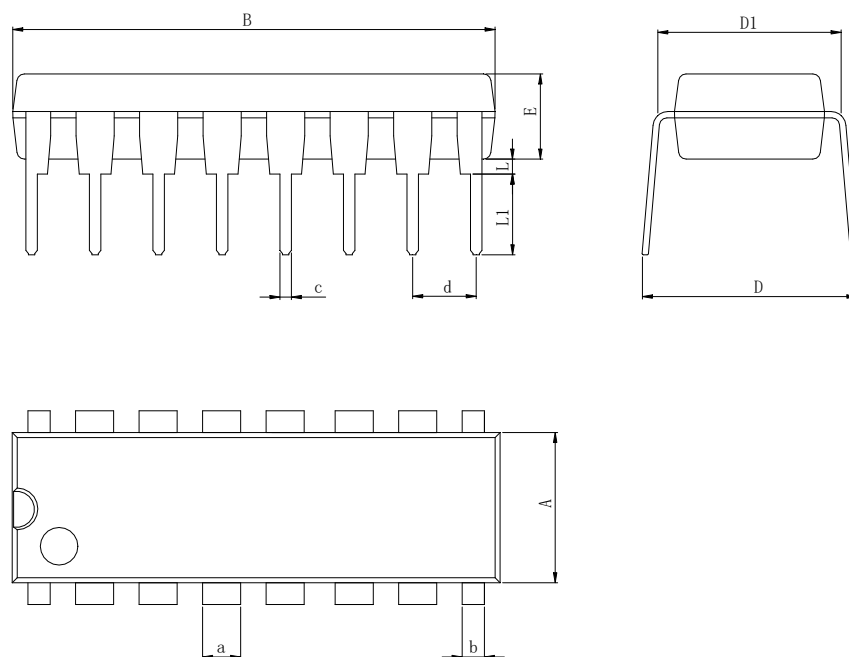
## Physical Dimensions

SOP-16



Dimensions In Millimeters(SOP-16)									
Symbol:	A	A1	B	C	C1	D	Q	a	b
Min:	1.35	0.05	9.80	5.80	3.80	0.40	0°	0.35	1.27 BSC
Max:	1.55	0.20	10.0	6.20	4.00	0.80	8°	0.45	

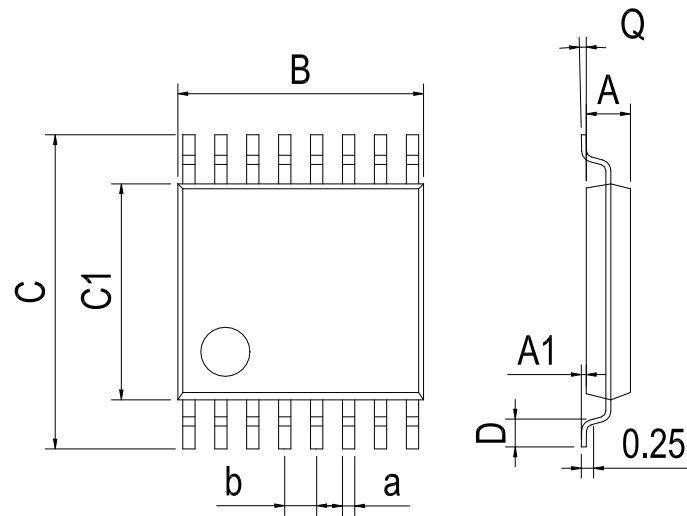
DIP-16



Dimensions In Millimeters(DIP-16)											
Symbol:	A	B	D	D1	E	L	L1	a	b	c	d
Min:	6.10	18.94	8.10	7.42	3.10	0.50	3.00	1.50	0.85	0.40	2.54 BSC
Max:	6.68	19.56	10.9	7.82	3.55	0.70	3.60	1.55	0.90	0.50	



TSSOP-16



Dimensions In Millimeters(TSSOP-16)									
Symbol:	A	A1	B	C	C1	D	Q	a	b
Min:	0.85	0.05	4.90	6.20	4.30	0.40	0°	0.20	0.65 BSC
Max:	0.95	0.20	5.10	6.60	4.50	0.80	8°	0.25	

---

**Revision History**

DATE	REVISION	PAGE
2018-8-23	New	1-11
2023-9-14	Modify the package dimension diagram TSSOP-16、 Update encapsulation type、 Update Lead Temperature、 Updated DIP-16 dimension、 Add annotation for Maximum Ratings.	1、 3、 8、 9

**IMPORTANT STATEMENT:**

Hanschip Semiconductor reserves the right to change its products and services without notice. Before ordering, the customer shall obtain the latest relevant information and verify whether the information is up to date and complete. Hanschip Semiconductor does not assume any responsibility or obligation for the altered documents.

Customers are responsible for complying with safety standards and taking safety measures when using Hanschip Semiconductor products for system design and machine manufacturing. You will bear all the following responsibilities: select the appropriate Hanschip Semiconductor products for your application; Design, validate and test your application; Ensure that your application meets the appropriate standards and any other safety, security or other requirements. To avoid the occurrence of potential risks that may lead to personal injury or property loss.

Hanschip Semiconductor products have not been approved for applications in life support, military, aerospace and other fields, and Hanschip Semiconductor will not bear the consequences caused by the application of products in these fields. All problems, responsibilities and losses arising from the user's use beyond the applicable area of the product shall be borne by the user and have nothing to do with Hanschip Semiconductor, and the user shall not claim any compensation liability against Hanschip Semiconductor by the terms of this Agreement.

The technical and reliability data (including data sheets), design resources (including reference designs), application or other design suggestions, network tools, safety information and other resources provided for the performance of semiconductor products produced by Hanschip Semiconductor are not guaranteed to be free from defects and no warranty, express or implied, is made. The use of testing and other quality control technologies is limited to the quality assurance scope of Hanschip Semiconductor. Not all parameters of each device need to be tested.

The documentation of Hanschip Semiconductor authorizes you to use these resources only for developing the application of the product described in this document. You have no right to use any other Hanschip Semiconductor intellectual property rights or any third party intellectual property rights. It is strictly forbidden to make other copies or displays of these resources. You should fully compensate Hanschip Semiconductor and its agents for any claims, damages, costs, losses and debts caused by the use of these resources. Hanschip Semiconductor accepts no liability for any loss or damage caused by infringement.