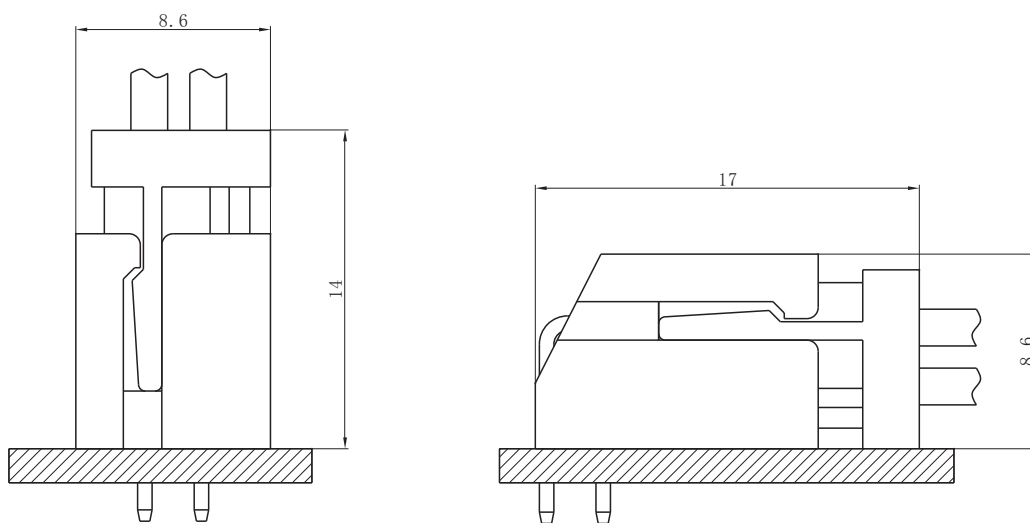


**技术特性/Specifications:**

额定电压 Rated voltage: 250V AC, DC  
 额定电流 Rated current: 3A AC, DC  
 接触电阻 Contact resistance: 30mΩ max  
 绝缘电阻 Insulation resistance: 1000MΩ min  
 耐压 Withstand voltage: 650V AC/minute  
 环境温度 Ambient temperature: -35°C~+105°C  
 适用线规 Wire range: AWG#28~#20

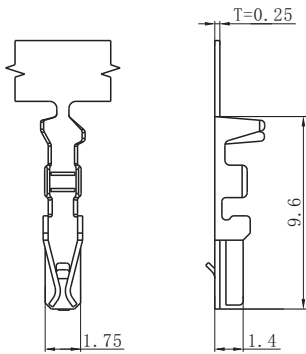
**PC电路板布局和组件布局 PC board layout and Assembly layout**

▣ Assembly layout (装配布局)



上图为连接器安装侧观察图  
Notes: The above figure is the figure viewed from the connector mounting side.

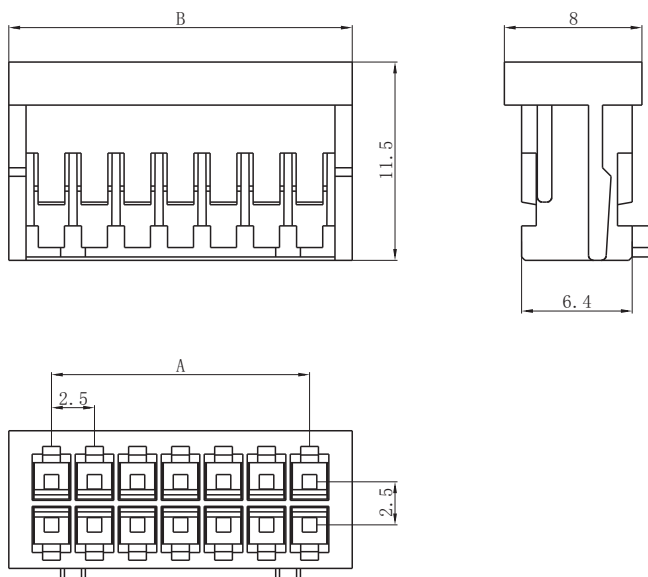
□ DL25042-T (XHY-T)



Model No. (型号)	Applicable wire (适用线规)			Material (材料)	Plating (电镀)	Qty/reel (数量/盘)
	mm <sup>2</sup>	AWG#	Insulation O.D. (绝缘外径mm)			
DL25042-T (XHY-T)	0.08~0.20	28~24	φ 0.9~1.4	Phosphor bronze (磷青铜)	Tin Plated (镀锡)	10000
DL25042-T-G (XHY-T-G)	0.33~0.52	22~20	φ 1.7~1.9	Phosphor bronze (磷青铜)	Tin Plated (镀锡)	10000

符合RoHS标准  
RoHS compliance

□ DL25042-Y (XHY-Y)



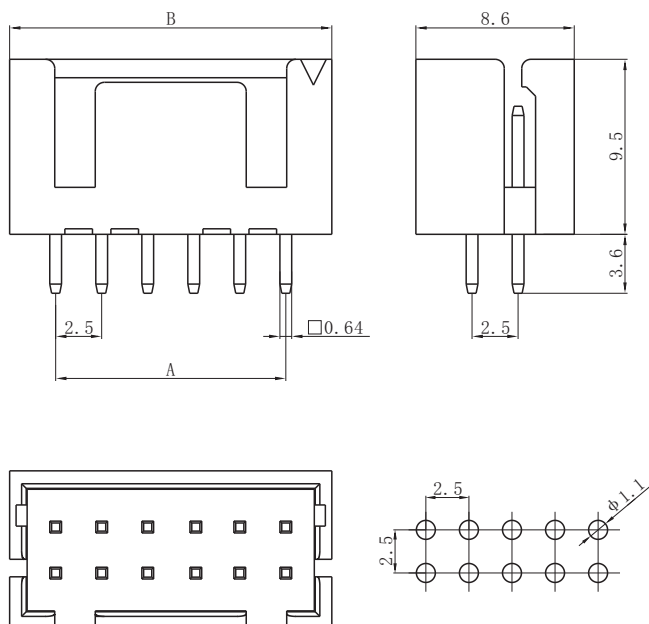
Circuits (电路)	Product name (产品名称)	Dimensions (尺寸mm)	
		A	B
2X2	XHY-4Y	2.50	7.50
2X3	XHY-6Y	5.00	10.00
2X4	XHY-8Y	7.50	12.50
2X5	XHY-10Y	10.00	15.00
2X6	XHY-12Y	12.50	17.50
2X7	XHY-14Y	15.00	20.00
2X8	XHY-16Y	17.50	22.50
2X9	XHY-18Y	20.00	25.00
2X10	XHY-20Y	22.50	27.50
2X11	XHY-22Y	25.00	30.00
2X12	XHY-24Y	27.50	32.50
2X13	XHY-26Y	30.00	35.00
2X14	XHY-28Y	32.50	37.50
2X15	XHY-30Y	35.00	40.00
2X16	XHY-32Y	37.50	42.50
2X17	XHY-34Y	40.00	45.00
2X18	XHY-36Y	42.50	47.50
~	~	~	~
2X30	XHY-60Y	47.50	52.50

Material (材料)

Housing (胶壳): Nylon (尼龙) UL94V-0 (2)

符合RoHS标准  
RoHS compliance

□ DL25042-A (XHY-A)



Circuits (电路)	Product name (产品名称)	Dimensions (尺寸mm)	
		A	B
2X2	XHY-4A	2.50	7.50
2X3	XHY-6A	5.00	10.00
2X4	XHY-8A	7.50	12.50
2X5	XHY-10A	10.00	15.00
2X6	XHY-12A	12.50	17.50
2X7	XHY-14A	15.00	20.00
2X8	XHY-16A	17.50	22.50
2X9	XHY-18A	20.00	25.00
2X10	XHY-20A	22.50	27.50
2X11	XHY-22A	25.00	30.00
2X12	XHY-24A	27.50	32.50
2X13	XHY-26A	30.00	35.00
2X14	XHY-28A	32.50	37.50
2X15	XHY-30A	35.00	40.00
2X16	XHY-32A	37.50	42.50
2X17	XHY-34A	40.00	45.00
2X18	XHY-36A	42.50	47.50
~	~	~	~
2X30	XHY-60A	47.50	52.50

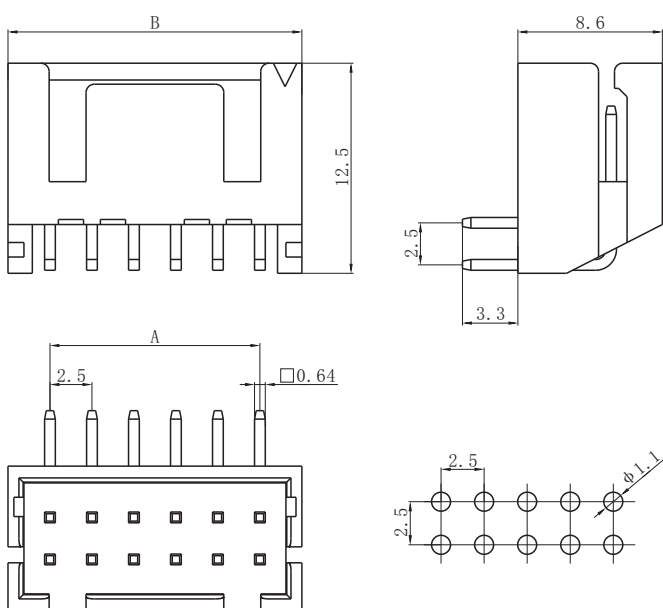
Material (材料)

Housing (胶壳): Nylon (尼龙) UL94V-0 (2)

Wafer (接触件): Brass (黄铜) / Tin plated (镀锡)

符合RoHS标准  
RoHS compliance

□ DL25042-AWD (XHY-AWD)



Circuits (电路)	Product name (产品名称)	Dimensions (尺寸mm)	
		A	B
2X2	XHY-4AWD	2.50	7.50
2X3	XHY-6AWD	5.00	10.00
2X4	XHY-8AWD	7.50	12.50
2X5	XHY-10AWD	10.00	15.00
2X6	XHY-12AWD	12.50	17.50
2X7	XHY-14AWD	15.00	20.00
2X8	XHY-16AWD	17.50	22.50
2X9	XHY-18AWD	20.00	25.00
2X10	XHY-20AWD	22.50	27.50
2X11	XHY-22AWD	25.00	30.00
2X12	XHY-24AWD	27.50	32.50
2X13	XHY-26AWD	30.00	35.00
2X14	XHY-28AWD	32.50	37.50
2X15	XHY-30AWD	35.00	40.00
2X16	XHY-32AWD	37.50	42.50
2X17	XHY-34AWD	40.00	45.00
2X18	XHY-36AWD	42.50	47.50
~	~	~	~
2X30	XHY-60AWD	47.50	52.50

Material (材料)

Housing (胶壳): Nylon (尼龙) UL94V-0 (2)

Wafer (接触件): Brass (黄铜) / Tin plated (镀锡)

符合RoHS标准  
RoHS compliance