



1.62V to 3.6V Improved High-Speed LLT

General Description

The MAX13042E–MAX13045E 4-channel, bidirectional level translators provide the level shifting necessary for 100Mbps data transfer in multivoltage systems. The MAX13042E–MAX13045E are ideally suited for level translation in systems with four channels. Externally applied voltages, V_{CC} and V_L , set the logic levels on either side of the device. Logic signals present on the V_L side of the device appear as a high-voltage logic signal on the V_{CC} side of the device and vice-versa.

The MAX13042E–MAX13045E operate at full speed with external drivers that source as little as 4mA output current or larger. Each input/output (I/O) channel is pulled up to V_{CC} or V_L by an internal 30 μ A current source, allowing the MAX13042E–MAX13045E to be driven by either push-pull or open-drain drivers.

The MAX13042E–MAX13045E feature an enable (EN) input that places the devices into a low-power shutdown mode when driven low. The MAX13042E–MAX13045E feature an automatic shutdown mode that disables the part when V_{CC} is less than V_L . The state of I/O V_{CC} and I/O V_L during shutdown is chosen by selecting the appropriate part version. (See the *Ordering Information/Selector Guide*).

The MAX13042E–MAX13045E operate with V_{CC} voltages from +2.2V to +3.6V and V_L voltages from +1.62V to +3.2V, making them ideal for data transfer between low-voltage ASIC/PLDs and higher voltage systems. The MAX13042E–MAX13045E are available in 12-bump UCSP™ (1.54mm x 2.12mm) and 14-pin TDFN (3mm x 3mm) packages, and operate over the extended -40°C to +85°C temperature range.

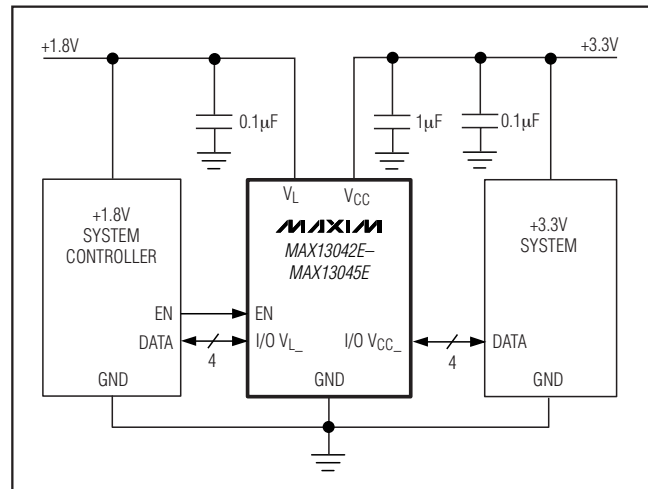
Applications

CMOS Logic-Level Translation	Portable POS Systems
Low-Voltage ASIC Level Translation	Portable Communication Devices
Cell Phones	GPS
SPI™, MICROWIRE™ Level Translation	Telecommunications Equipment

Features

- ◆ Compatible with 4mA Input Drivers or Larger
- ◆ 100Mbps Guaranteed Data Rate
- ◆ Four Bidirectional Channels
- ◆ Enable Input
- ◆ ± 15 kV ESD Protection on I/O V_{CC} Lines
- ◆ $+1.62\text{V} \leq V_L \leq +3.2\text{V}$ and $+2.2\text{V} \leq V_{CC} \leq +3.6\text{V}$ Supply Voltage Range
- ◆ 12-Bump UCSP (1.54mm x 2.12mm) and 14-Pin TDFN (3mm x 3mm) Lead-Free Packages

Typical Operating Circuit



UCSP is a trademark of Maxim Integrated Products, Inc.

SPI is a trademark of Motorola, Inc.

MICROWIRE is a trademark of National Semiconductor Corp.

Pin Configurations appear at end of data sheet.

Ordering Information/Selector Guide continued at end of data sheet.

Ordering Information/Selector Guide

PART	PIN-PACKAGE	I/O V_L STATE DURING SHUTDOWN	I/O V_{CC} STATE DURING SHUTDOWN	TOP MARK	PKG CODE
MAX13042EEBC+T	12 UCSP-12	High Impedance	High Impedance	ADQ	B12-3
MAX13042EETD+T	14 TDFN-EP**	High Impedance	High Impedance	ADE	T1433-2

Note: All devices operate over the -40°C to +85°C temperature range.

+Denotes a lead-free package.

*Future product—contact factory for availability.

**EP = Exposed paddle.



For pricing, delivery, and ordering information, please contact Maxim/Dallas Direct! at 1-888-629-4642, or visit Maxim's website at www.maxim-ic.com.

1.62V to 3.6V Improved High-Speed LLT

ABSOLUTE MAXIMUM RATINGS

(All voltages referenced to GND.)

V _{CC} , V _L	-0.3V to +4V
I/O V _{CC}	-0.3V to (V _{CC} + 0.3V)
I/O V _L	-0.3V to (V _L + 0.3V)
EN	-0.3V to +4V
Short-Circuit Duration I/O V _L , I/O V _{CC} to GND	Continuous
Continuous Power Dissipation (T _A = +70°C)	
12-Bump UCSP (derate 6.5mW/°C above +70°C)	519mW
14-Pin TDFN (derate 24.4mW/°C above +70°C)	1951mW

Operating Temperature Range	-40°C to +85°C
Storage Temperature Range	-65°C to +150°C
Junction Temperature	+150°C
Lead Temperature (soldering, 10s)	+300°C

Stresses beyond those listed under "Absolute Maximum Ratings" may cause permanent damage to the device. These are stress ratings only, and functional operation of the device at these or any other conditions beyond those indicated in the operational sections of the specifications is not implied. Exposure to absolute maximum rating conditions for extended periods may affect device reliability.

ELECTRICAL CHARACTERISTICS

(V_{CC} = +2.2V to +3.6V, V_L = +1.62V to +3.2V, EN = V_L, T_A = -40°C to +85°C, unless otherwise noted. Typical values are at V_{CC} = +3.3V, V_L = +1.8V, and T_A = +25°C.) (Notes 1, 2)

PARAMETER	SYMBOL	CONDITIONS	MIN	TYP	MAX	UNITS
POWER SUPPLIES						
V _L Supply Range	V _L		1.62		3.2	V
V _{CC} Supply Range	V _{CC}		2.2		3.6	V
Supply Current from V _{CC}	I _{QVCC}	I/O V _{CC} = V _{CC} , I/O V _L = V _L			25	μA
Supply Current from V _L	I _{QVL}	I/O V _{CC} = V _{CC} , I/O V _L = V _L			10	μA
V _{CC} Shutdown Supply Current	I _{SHDN-VCC}	T _A = +25°C, EN = GND		0.1	1	μA
V _L Shutdown-Mode Supply Current	I _{SHDN-VL}	T _A = +25°C, EN = GND		0.1	1	μA
		T _A = +25°C, EN = V _L , V _{CC} = GND		0.1	4	
I/O V _{CC} , I/O V _L Tri-State Leakage Current	I _{LEAK}	T _A = +25°C, EN = GND		0.1	2	μA
EN Input Leakage Current	I _{LEAK_EN}	T _A = +25°C			1	μA
V _L - V _{CC} Shutdown Threshold High	V _{TH_H}	V _{CC} rising (Note 3)	0	0.1V _L	0.8	V
V _L - V _{CC} Shutdown Threshold Low	V _{TH_L}	V _{CC} falling (Note 3)	0	0.12V _L	0.8	V
I/O V _{CC} Pulldown Resistance During Shutdown	R _{VCC_PD_SD}	MAX13043E/MAX13045E	10	16.5	23	kΩ
I/O V _L Pulldown Resistance During Shutdown	R _{VL_PD_SD}	MAX13044E/MAX13045E	10	16.5	23	kΩ
I/O V _L Pullup Current	I _{VL_PU}	I/O V _L = GND, I/O V _{CC} = GND	20		65	μA
I/O V _{CC} Pullup Current	I _{VCC_PU}	I/O V _{CC} = GND, I/O V _L = GND	20		65	μA
I/O V _L to I/O V _{CC} DC Resistance	R _{IOVL_IOVCC}	(Note 4)		3		kΩ

1.62V to 3.6V Improved High-Speed LLT

MAX13042E-MAX13045E

ELECTRICAL CHARACTERISTICS (continued)

(V_{CC} = +2.2V to +3.6V, V_L = +1.62V to +3.2V, EN = V_L, T_A = -40°C to +85°C, unless otherwise noted. Typical values are at V_{CC} = +3.3V, V_L = +1.8V, and T_A = +25°C.) (Notes 1, 2)

PARAMETER	SYMBOL	CONDITIONS	MIN	TYP	MAX	UNITS
ESD PROTECTION						
I/O V _L , EN		Human Body Model		±2		kV
I/O V _{CC}		Human Body Model, C _{VCC} = 1μF		±15		kV
		IEC 61000-4-2 Air-Gap Discharge, C _{VCC} = 1μF		±15		
		IEC 61000-4-2 Contact Discharge, C _{VCC} = 1μF		±8		
LOGIC LEVELS						
I/O V _L Input-Voltage High Threshold	V _{IHL}	(Note 5)	V _L - 0.2			V
I/O V _L Input-Voltage Low Threshold	V _{ILL}	(Note 5)			0.15	V
I/O V _{CC} Input-Voltage High Threshold	V _{IHC}	(Note 5)	V _{CC} - 0.4			V
I/O V _{CC} Input-Voltage Low Threshold	V _{ILC}	(Note 5)			0.2	V
EN Input-Voltage-High Threshold	V _{IH}		V _L - 0.4			V
EN Input-Voltage-Low Threshold	V _{IL}				0.4	V
I/O V _L Output-Voltage High	V _{OHL}	I/O V _L source current = 20μA	2/3 V _L			V
I/O V _L Output-Voltage Low	V _{OLL}	I/O V _L sink current = 20μA, I/O V _{CC} < 0.2V			1/3 V _L	V
I/O V _{CC} Output-Voltage High	V _{OHC}	I/O V _{CC} source current = 20μA	2/3 V _{CC}			V
I/O V _{CC} Output-Voltage Low	V _{OLC}	I/O V _{CC} sink current = 20μA, I/O V _L < 0.15V			1/3 V _{CC}	V
RISE-/FALL-TIME ACCELERATOR STAGE						
Accelerator Pulse Duration		On falling edge		3.5		ns
		On rising edge		3.5		
V _L Output Accelerator Source Impedance		V _L = 1.62V		24		Ω
		V _L = 3.2V		11		
V _{CC} Output Accelerator Source Impedance		V _{CC} = 2.2V		13		Ω
		V _{CC} = 3.6V		9		
V _L Output Accelerator Sink Impedance		V _L = 1.62V		14		Ω
		V _L = 3.2V		10		
V _{CC} Output Accelerator Sink Impedance		V _{CC} = 2.2V		11		Ω
		V _{CC} = 3.6V		9		

1.62V to 3.6V Improved High-Speed LLT

TIMING CHARACTERISTICS

($+2.2V \leq V_{CC} \leq +3.6V$, $+1.62V \leq V_L \leq +3.2V$; $C_{IOVL_} \leq 15pF$, $C_{IOVCC_} \leq 10pF$; $R_{SOURCE} < 150\Omega$, rise/fall time $< 3ns$, $EN = V_L$, $T_A = -40^\circ C$ to $+85^\circ C$, unless otherwise noted. Typical values are at $V_{CC} = +3.3V$, $V_L = +1.8V$, and $T_A = +25^\circ C$.) (Notes 1, 2)

PARAMETER	SYMBOL	CONDITIONS	MIN	TYP	MAX	UNITS
I/O $V_{CC_}$ Rise Time	t_{RVCC}	Figure 1			2.5	ns
I/O $V_{CC_}$ Fall Time	t_{FVCC}	Figure 1			2.5	ns
I/O V_L Rise Time	t_{RVL}	Figure 2			2.5	ns
I/O V_L Fall Time	t_{FVL}	Figure 2			2.5	ns
Propagation Delay (Driving I/O V_L)	$t_{PVL-VCC}$	Figure 1			6.5	ns
Propagation Delay (Driving I/O $V_{CC_}$)	$t_{PVCC-VL}$	Figure 2			6.5	ns
Channel-to-Channel Skew	t_{SKEW}	(Note 4)			0.7	ns
Propagation Delay From I/O V_L to I/O $V_{CC_}$ after EN	t_{EN-VCC}	Figure 3		5		μs
Propagation Delay From I/O $V_{CC_}$ to I/O V_L after EN	t_{EN-VL}	Figure 3		5		μs
Maximum Data Rate		Push-pull operation	100			Mbps

Note 1: All units are 100% production tested at $T_A = +25^\circ C$. Limits over the operating temperature range are guaranteed by correlation and design and not production tested.

Note 2: V_L must be less than or equal to V_{CC} during normal operation. However, V_L can be greater than V_{CC} during startup and shutdown conditions.

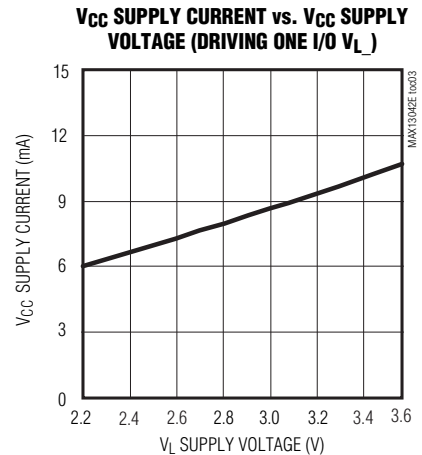
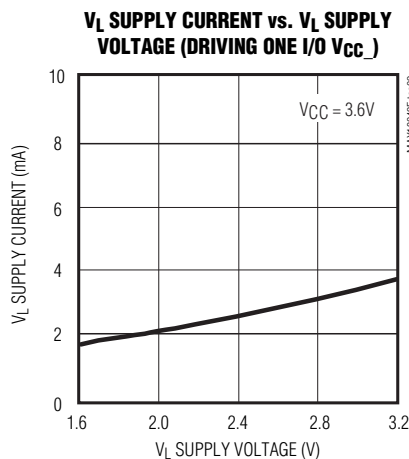
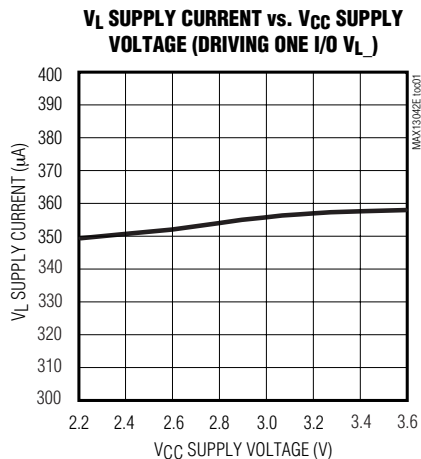
Note 3: When V_{CC} is below V_L by more than the $V_L - V_{CC}$ shutdown threshold, the device turns off its pullup generators and the I/Os enter their respective shutdown states.

Note 4: Guaranteed by design.

Note 5: Input thresholds are referenced to the boost circuit.

Typical Operating Characteristics

($V_{CC} = 3.3V$, $V_L = 1.8V$, $C_{IOVCC_} = 10pF$, $C_{IOVL_} = 15pF$, $R_{SOURCE} = 150\Omega$, data rate = 100Mbps, push-pull driver, $T_A = +25^\circ C$, unless otherwise noted.)

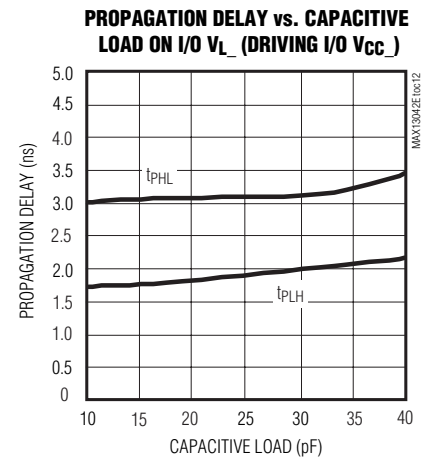
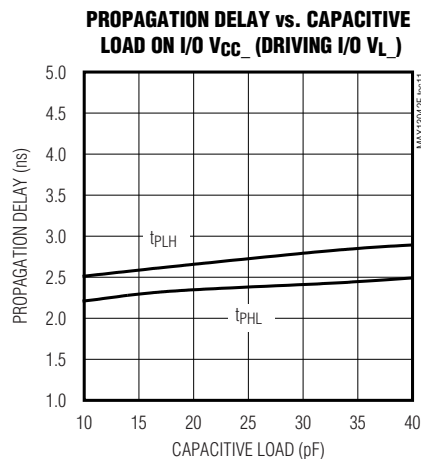
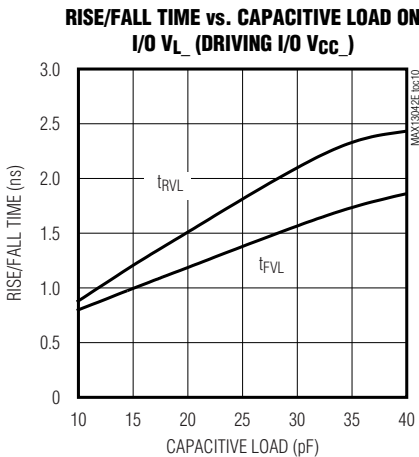
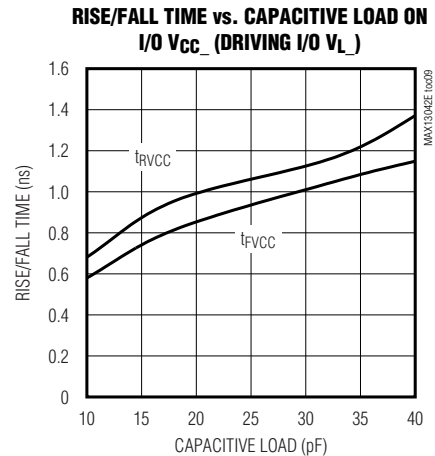
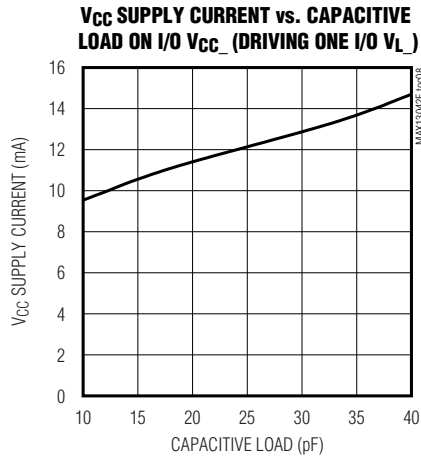
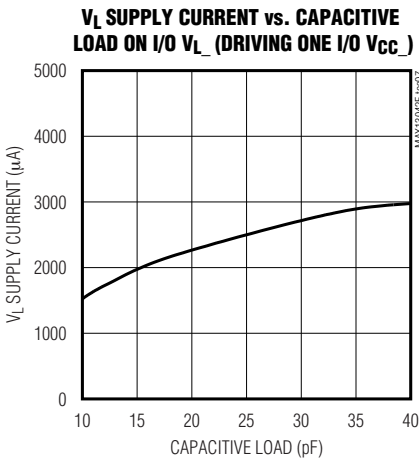
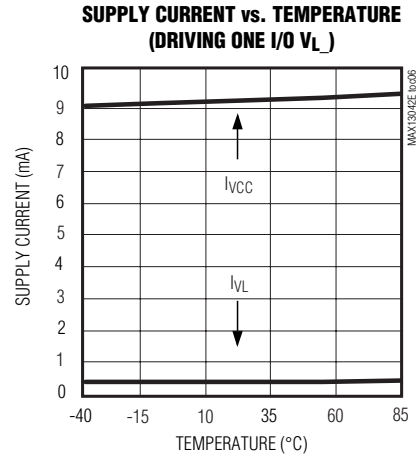
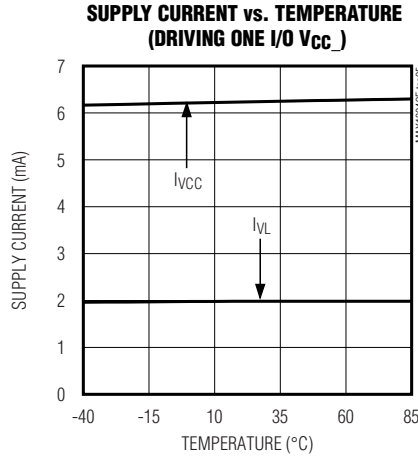
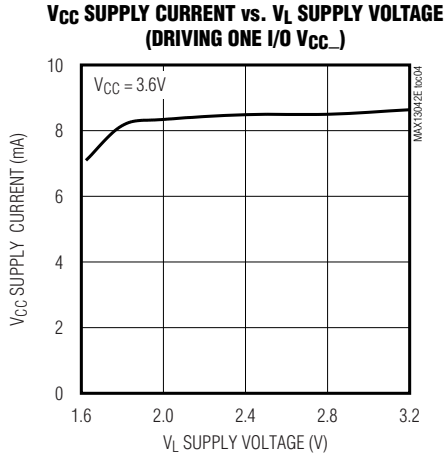


1.62V to 3.6V Improved High-Speed LLT

MAX13042E-MAX13045E

Typical Operating Characteristics (continued)

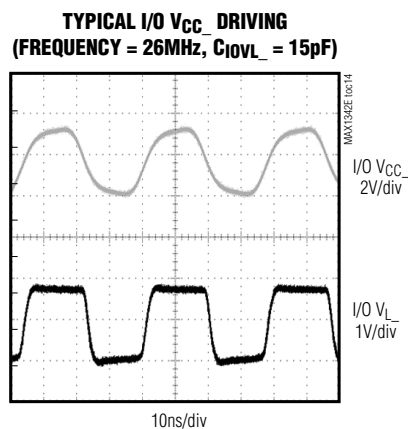
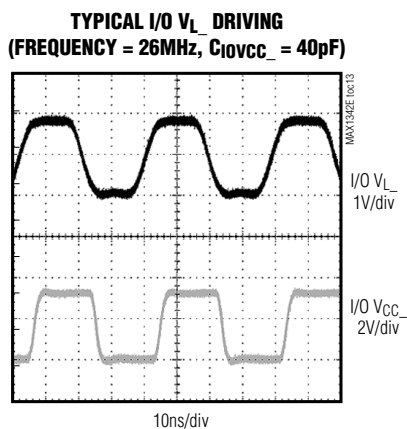
($V_{CC} = 3.3V$, $V_L = 1.8V$, $C_{IOVCC_} = 10pF$, $C_{IOVL_} = 15pF$, $R_{SOURCE} = 150\Omega$, data rate = 100Mbps, push-pull driver, $T_A = +25^\circ C$, unless otherwise noted.)



1.62V to 3.6V Improved High-Speed LLT

Typical Operating Characteristics (continued)

($V_{CC} = 3.3V$, $V_L = 1.8V$, $C_{IOV_{CC_}} = 10pF$, $C_{IOV_L} = 15pF$, $R_{SOURCE} = 150\Omega$, data rate = 100Mbps, push-pull driver, $T_A = +25^\circ C$, unless otherwise noted.)



Pin Description

PIN		NAME	FUNCTION
UCSP	TDFN		
A1	8	I/O V_{CC4}	Input/Output 4. Referenced to V_{CC} .
A2	10	I/O V_{CC3}	Input/Output 3. Referenced to V_{CC} .
A3	12	I/O V_{CC2}	Input/Output 2. Referenced to V_{CC} .
A4	14	I/O V_{CC1}	Input/Output 1. Referenced to V_{CC} .
B1	9	V_{CC}	Power-Supply Voltage, +2.2V to +3.6V. Bypass V_{CC} to GND with a 0.1 μF ceramic capacitor. For full ESD protection, connect an additional 1 μF ceramic capacitor from V_{CC} to GND as close to the V_{CC} input as possible.
B2	6	V_L	Logic Supply Voltage, +1.62V to +3.2V. Bypass V_L to GND with a 0.1 μF ceramic capacitor placed as close to the device as possible.
B3	2	EN	Enable Input. Drive EN to GND for shutdown mode, or drive EN to V_L or V_{CC} for normal operation.
B4	13	GND	Ground
C1	7	I/O V_L4	Input/Output 4. Referenced to V_L .
C2	5	I/O V_L3	Input/Output 3. Referenced to V_L .
C3	3	I/O V_L2	Input/Output 2. Referenced to V_L .
C4	1	I/O V_L1	Input/Output 1. Referenced to V_L .
—	4, 11	N.C.	No Connection. Leave N.C. unconnected.
—	EP	EP	Exposed Pad. Connect exposed pad to GND.

1.62V to 3.6V Improved High-Speed LLT

Test Circuits/Timing Diagrams

MAX13042E-MAX13045E

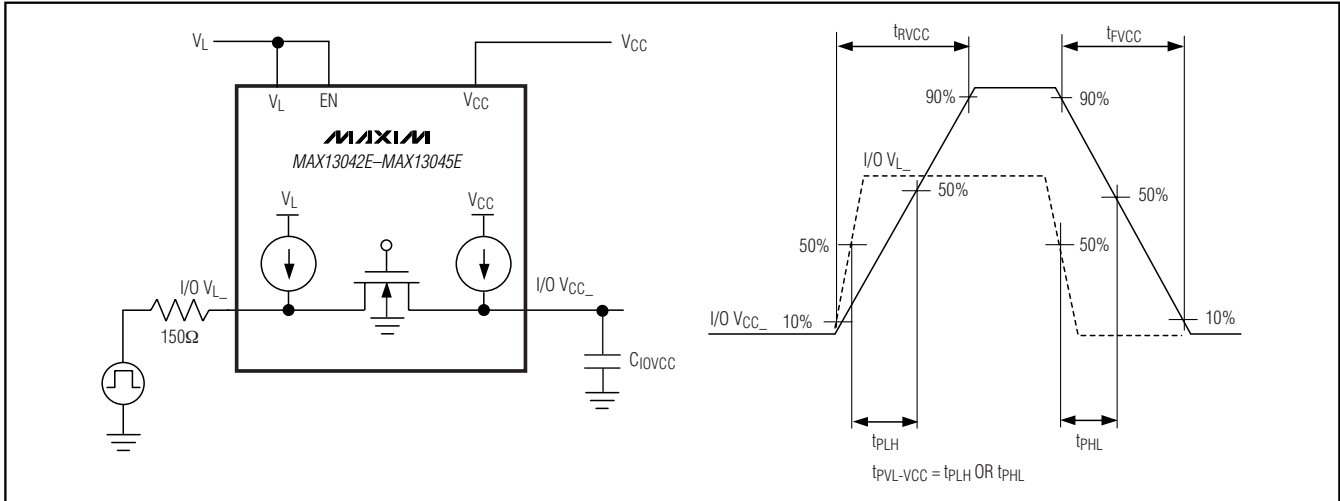


Figure 1. Push-Pull Driving I/O V_L Test Circuit and Timing

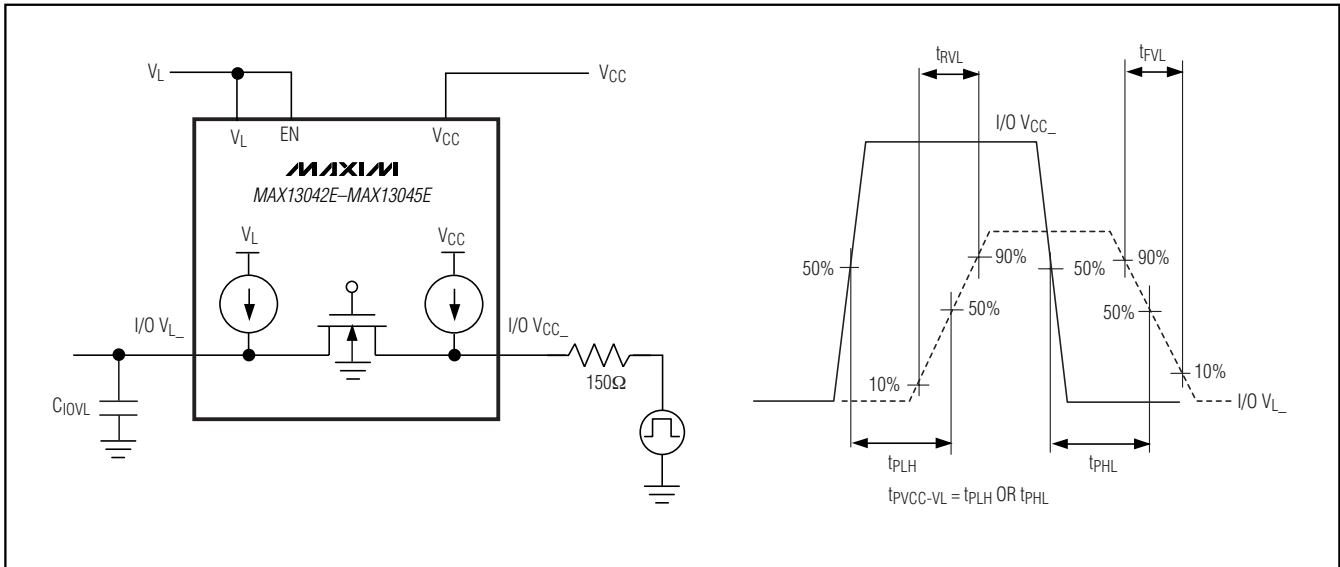


Figure 2. Push-Pull Driving I/O V_{CC} Test Circuit and Timing

1.62V to 3.6V Improved High-Speed LLT

Test Circuits/Timing Diagrams (continued)

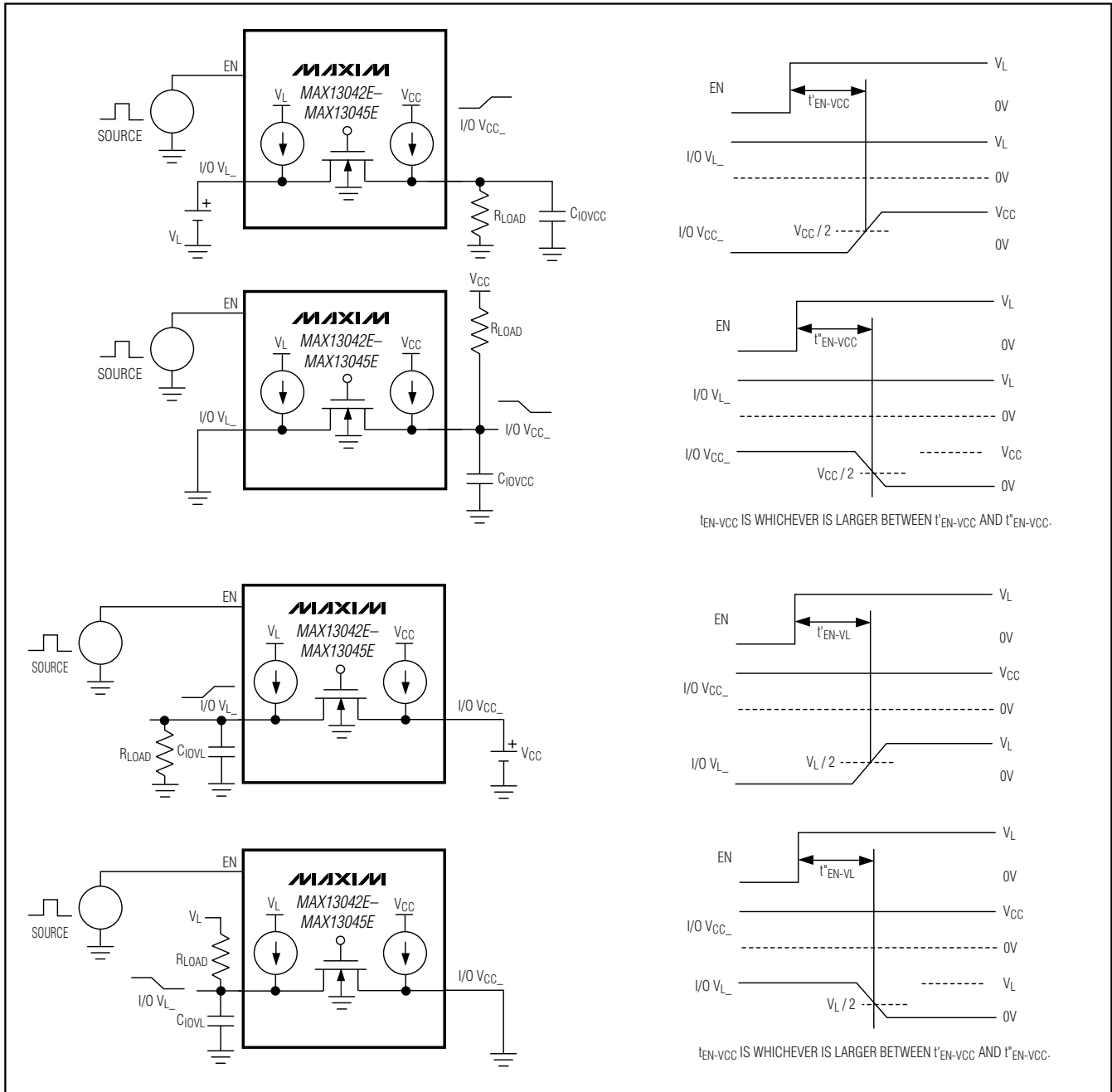
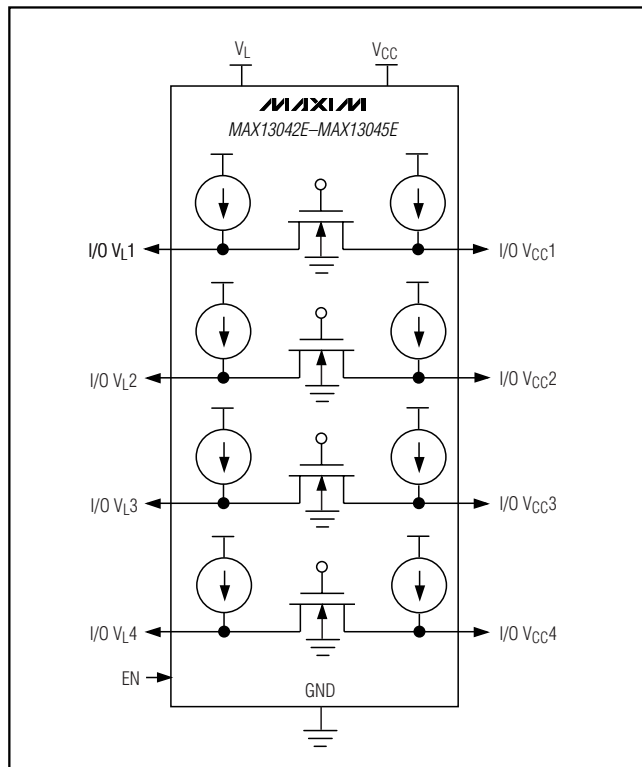


Figure 3. Enable Test Circuit and Timing

1.62V to 3.6V Improved High-Speed LLT

MAX13042E-MAX13045E

Functional Diagram



Detailed Description

The MAX13042E-MAX13045E 4-channel, bidirectional level translators provide the level shifting necessary for 100Mbps data transfer in multivoltage systems. The MAX13042E-MAX13045E are ideally suited for level translation in systems with four channels. Externally applied voltages, V_{CC} and V_L , set the logic levels on either side of the device. Logic signals present on the V_L side of the device appear as a high-voltage logic signal on the V_{CC} side of the device and vice-versa.

The MAX13042E-MAX13045E operate at full speed with external drivers that source as little as 4mA output current. Each I/O channel is pulled up to V_{CC} or V_L by an internal 30 μ A current source, allowing the MAX13042E-MAX13045E to be driven by either push-pull or open-drain drivers.

The MAX13042E-MAX13045E feature an enable (EN) input that places the devices into a low-power shutdown mode when driven low. The MAX13042E-MAX13045E

feature an automatic shutdown mode that disables the part when V_{CC} is less than V_L . The state of I/O V_{CC} and I/O V_L during shutdown is chosen by selecting the appropriate part version (see the *Ordering Information/Selector Guide*).

The MAX13042E-MAX13045E operate with V_{CC} voltages from +2.2V to +3.6V and V_L voltages from +1.62V to +3.2V.

Level Translation

For proper operation, ensure that $+2.2V \leq V_{CC} \leq +3.6V$, $+1.62V \leq V_L \leq V_{CC} - 0.2V$. When power is supplied to V_L while V_{CC} is missing or less than V_L , the MAX13042E-MAX13045E automatically enter a low-power mode. The devices will also enter shutdown mode when $EN = 0V$. This allows V_{CC} to be disconnected and still have a known state on I/O V_L . The maximum data rate depends heavily on the load capacitance (see the Rise/Fall Time vs. Capacitive Load graphs in the *Typical Operating Characteristics*), output impedance of the driver, and the operating voltage range.

Input Driver Requirements

The MAX13042E-MAX13045E architecture is based on an nMOS pass gate and output accelerator stages (Figure 6). The accelerators are active only when there is a rising/falling edge on a given I/O. A short pulse is then generated where the output accelerator stages become active and charge/discharge the capacitances at the I/Os. Due to its architecture, both input stages become active during the one-shot pulse. This can lead to current feeding into the external source that is driving the translator. However, this behavior helps to speed up the transition on the driven side.

The MAX13042E-MAX13045E have internal current sources capable of sourcing 30 μ A to pull up the I/O lines. These internal-pullup current sources allow the inputs to be driven with open-drain drivers as well as push-pull drivers. It is not recommended to use external pullup resistors on the I/O lines. The architecture of the MAX13042E-MAX13045E permits either side to be driven with a minimum of 4mA drivers or larger.

Output Load Requirements

The MAX13042E-MAX13045E I/O are designed to drive CMOS inputs. Do not load the I/O lines with a resistive load less than 25k Ω and do not place an RC circuit at the input of these devices to slow down the edges. If a slower rise/fall time is required, refer to the MAX3000E/MAX3001E logic-level translator data sheet.

1.62V to 3.6V Improved High-Speed LLT

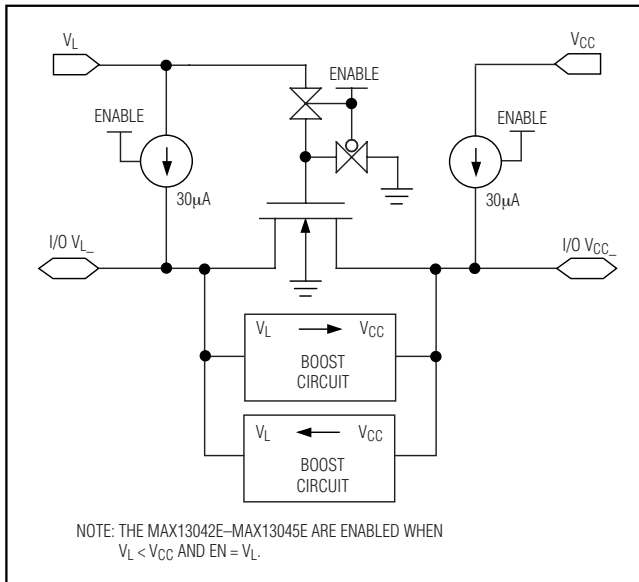


Figure 4. Simplified Functional Diagram for One I/O Line

Shutdown Mode

The MAX13042E-MAX13045E feature an enable (EN) input that places the devices into a low-power shutdown mode when driven low. The MAX13042E-MAX13045E feature an automatic shutdown mode that disables the part when V_{CC} is unconnected or less than V_L .

Applications Information

Layout Recommendations

Use standard high-speed layout practices when laying out a board with the MAX13042E-MAX13045E. For example, to minimize line coupling, place all other signal lines not connected to the MAX13042E-MAX13045E at least 1x the substrate height of the PCB away from the input and output lines of the MAX13042E-MAX13045E.

Power-Supply Decoupling

To reduce ripple and the chance of introducing data errors, bypass V_L and V_{CC} to ground with 0.1µF ceramic capacitors. Place all capacitors as close to the power-supply inputs as possible. For full ESD protection, bypass V_{CC} with a 1µF ceramic capacitor located as close to the V_{CC} input as possible.

Unidirectional vs. Bidirectional Level Translator

The MAX13042E-MAX13045E bidirectional level translators can operate as a unidirectional device to trans-

late signals without inversion. These devices provide the smallest solution (UCSP package) for unidirectional level translation without inversion.

ESD Test Conditions

ESD performance depends on a variety of conditions. Contact Maxim for a reliability report that documents test setup, test methodology, and test results.

Use with External Pullup/Pulldown Resistors

Due to the architecture of the MAX13042E-MAX13045E, it is not recommended to use external pullup or pulldown resistors on the bus. In certain applications, the use of external pullup or pulldown resistors is desired to have a known bus state when there is no active driver on the bus. The MAX13042E-MAX13045E include internal pullup current sources that set the bus state when the device is enabled. In shutdown mode, the state of I/O V_{CC} and I/O V_L is dependent on the selected part version (see the *Ordering Information/Selector Guide*).

Open-Drain Signaling

The MAX13042E-MAX13045E are designed to pass open-drain as well as CMOS push-pull signals. When used with open-drain signaling, the rise time will be dominated by the interaction of the internal pullup current source and the parasitic load capacitance. The MAX13042E-MAX13045E include internal rise-time accelerators to speed up transitions, eliminating any need for external pullup resistors. For applications such as I²C or 1-wire that require an external pullup resistor, please consult the MAX3378E and MAX3396E data sheets.

UCSP Applications Information

For the latest application details on UCSP construction, dimensions, tape carrier information, PCB techniques, bump-pad layout, and recommended reflow temperature profiles, as well as the latest information on reliability testing results, go to Maxim's website at www.maxim-ic.com/ucsp to find the Application Note: *UCSP – A Wafer-Level Chip-Scale Package*.

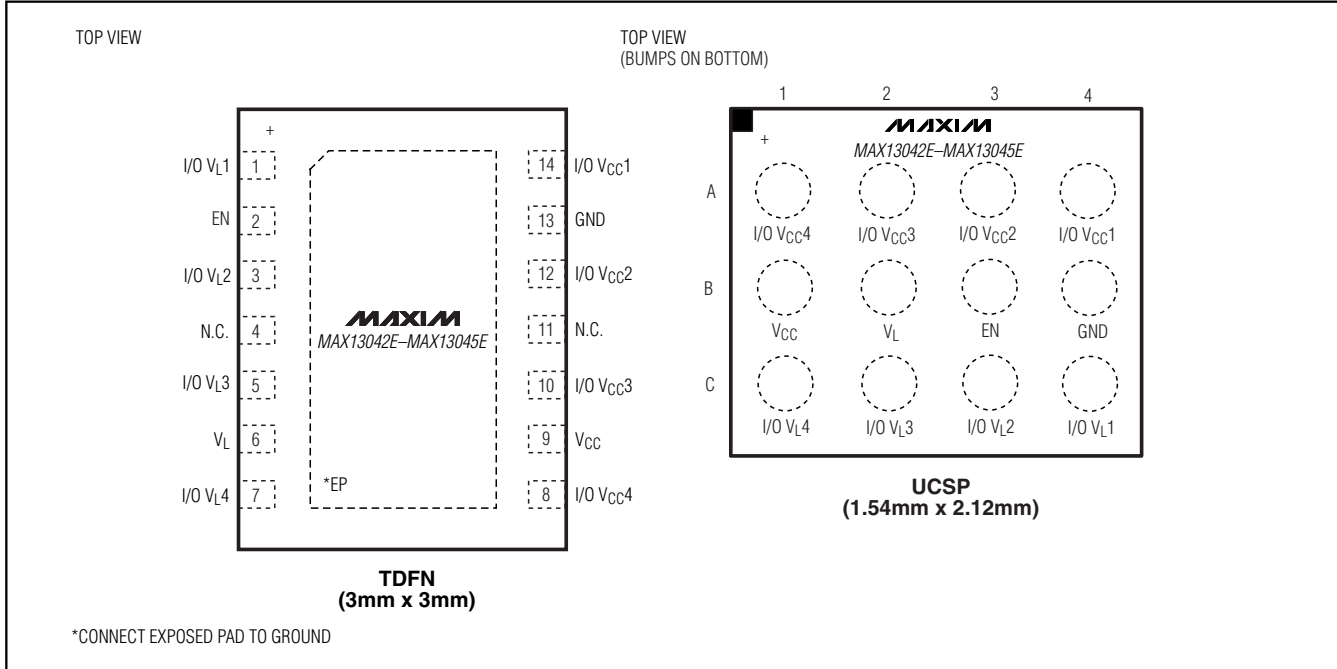
Chip Information

PROCESS: BiCMOS

1.62V to 3.6V Improved High-Speed LLT

Pin Configurations

MAX13042E-MAX13045E



Ordering Information/Selector Guide (continued)

PART	PIN-PACKAGE	I/O V _L STATE DURING SHUTDOWN	I/O V _{CC} STATE DURING SHUTDOWN	TOP MARK	PKG CODE
MAX13043E EBC+T	12 UCSP-12	High Impedance	16.5kΩ to GND	ADR	B12-3
MAX13043EETD+T	14 TDFN-EP**	High Impedance	16.5kΩ to GND	ADF	T1433-2
MAX13044E EBC+T*	12 UCSP-12	16.5kΩ to GND	High Impedance	ADS	B12-3
MAX13044EETD+T*	14 TDFN-EP**	16.5kΩ to GND	High Impedance	ADG	T1433-2
MAX13045E EBC+T*	12 UCSP-12	16.5kΩ to GND	16.5kΩ to GND	ADT	B12-3
MAX13045EETD+T*	14 TDFN-EP**	16.5kΩ to GND	16.5kΩ to GND	ADH	T1433-2

Note: All devices operate over the -40°C to +85°C temperature range.

+Denotes a lead-free package.

*Future product—contact factory for availability.

**EP = Exposed paddle.

1.62V to 3.6V Improved High-Speed LLT

Package Information

(The package drawing(s) in this data sheet may not reflect the most current specifications. For the latest package outline information, go to www.maxim-ic.com/packages.)

TOP VIEW

COMMON DIMENSIONS	
A	0.62±0.05-0.08
A1	0.29±0.02
A2	0.33 REF.
b	∅0.35±0.03
D1	1.00 BASIC
E1	1.50 BASIC
e	0.50 BASIC
SD	0.00 BASIC
SE	0.25 BASIC

PKG. CODE	VARIABLE DIMENSIONS		DEPOPULATED SOLDER BALLS
	D	E	
B12-1	1.54±0.05	2.02±0.05	NONE
B12-2	1.54±0.05	2.02±0.05	B3
B12-3	1.54±0.05	2.12±0.05	NONE
B12-4	1.54±0.05	2.02±0.05	B2, B3
B12-5	1.64±0.05	2.12±0.05	B2
B12-6	1.64±0.05	2.12±0.05	B3
B12-7	1.54±0.05	2.02±0.05	B1, B3
B12-8	1.54±0.05	2.02±0.05	B2
B12-9	1.54±0.05	2.12±0.05	B2, B3
B12-10	1.54±0.05	2.02±0.05	B1, B2, B3, B4
B12-11	1.54±0.05	2.02±0.05	A2, C3

NOTES:

- ALL DIMENSIONS ARE IN MILLIMETERS.
- PRODUCT MARKING: NUMBER OF CHARACTERS AND LINES VARY PER PRODUCT.

SIDE VIEW

BOTTOM VIEW

DALLAS SEMICONDUCTOR **MAXIM**

PROPRIETARY INFORMATION

TITLE:
PACKAGE OUTLINE, 4x3 UCSP

APPROVAL	DOCUMENT CONTROL NO. 21-0104	REV. F 1/1
----------	---------------------------------	------------

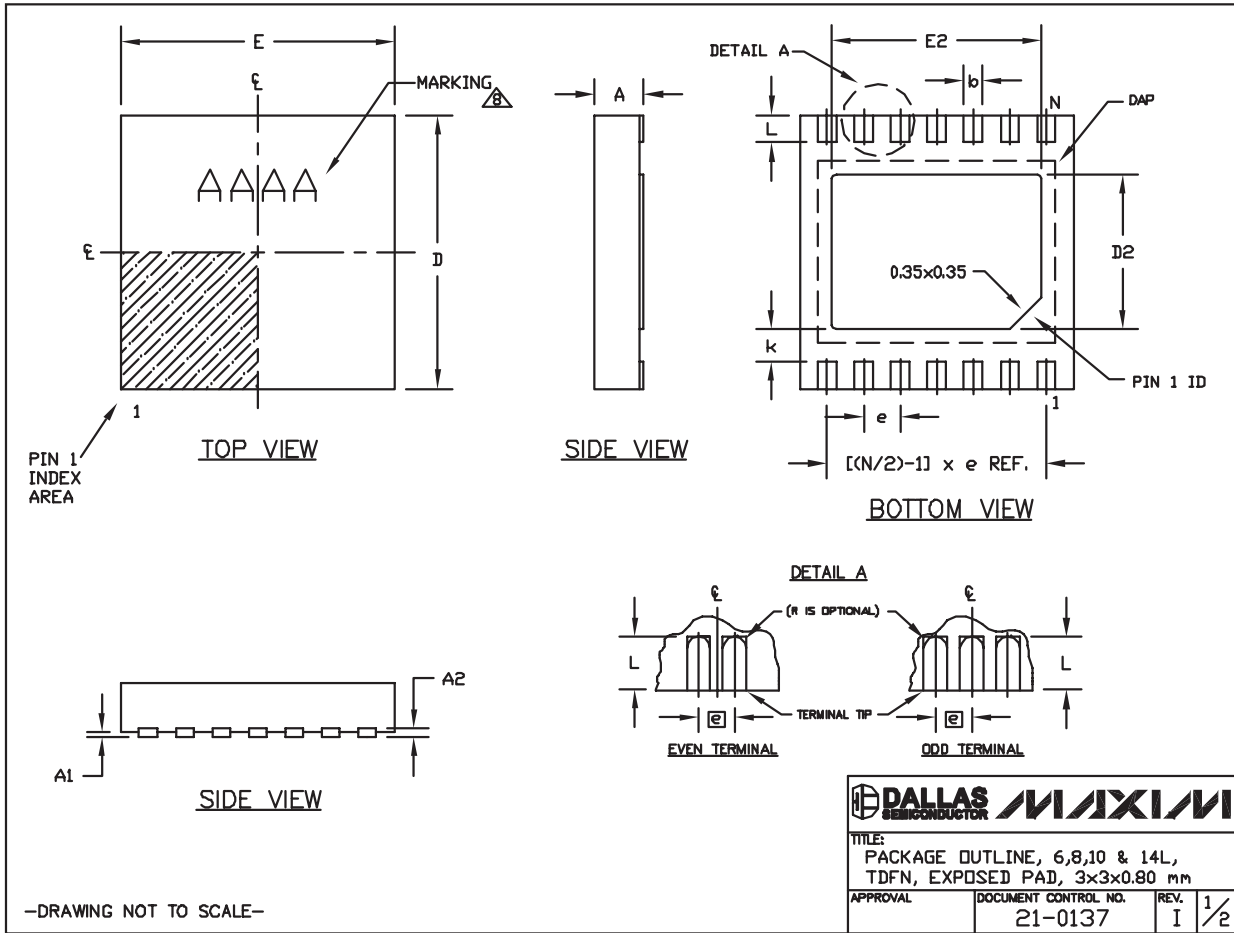
12L UCSP 4x3 EFS

1.62V to 3.6V Improved High-Speed LLT

Package Information (continued)

(The package drawing(s) in this data sheet may not reflect the most current specifications. For the latest package outline information, go to www.maxim-ic.com/packages.)

MAX13042E-MAX13045E



1.62V to 3.6V Improved High-Speed LLT


Package Information (continued)

(The package drawing(s) in this data sheet may not reflect the most current specifications. For the latest package outline information, go to www.maxim-ic.com/packages.)


COMMON DIMENSIONS		
SYMBOL	MIN.	MAX.
A	0.70	0.80
D	2.90	3.10
E	2.90	3.10
A1	0.00	0.05
L	0.20	0.40
k	0.25 MIN.	
A2	0.20 REF.	

PACKAGE VARIATIONS							
PKG. CODE	N	D2	E2	e	JEDEC SPEC	b	[(N/2)-1] x e
T633-2	6	1.50-0.10	2.30-0.10	0.95 BSC	MO229 / WEEA	0.40-0.05	1.90 REF
T833-2	8	1.50-0.10	2.30-0.10	0.65 BSC	MO229 / WEEC	0.30-0.05	1.95 REF
T833-3	8	1.50-0.10	2.30-0.10	0.65 BSC	MO229 / WEEC	0.30-0.05	1.95 REF
T1033-1	10	1.50-0.10	2.30-0.10	0.50 BSC	MO229 / WEED-3	0.25-0.05	2.00 REF
T1033-2	10	1.50-0.10	2.30-0.10	0.50 BSC	MO229 / WEED-3	0.25-0.05	2.00 REF
T1433-1	14	1.70-0.10	2.30-0.10	0.40 BSC	----	0.20-0.05	2.40 REF
T1433-2	14	1.70-0.10	2.30-0.10	0.40 BSC	----	0.20-0.05	2.40 REF

NOTES:

1. ALL DIMENSIONS ARE IN mm. ANGLES IN DEGREES.
 2. COPLANARITY SHALL NOT EXCEED 0.08 mm.
 3. WARPAGE SHALL NOT EXCEED 0.10 mm.
 4. PACKAGE LENGTH/PACKAGE WIDTH ARE CONSIDERED AS SPECIAL CHARACTERISTIC(S).
 5. DRAWING CONFORMS TO JEDEC MO229, EXCEPT DIMENSIONS "D2" AND "E2", AND T1433-1 & T1433-2.
 6. "N" IS THE TOTAL NUMBER OF LEADS.
 7. NUMBER OF LEADS SHOWN ARE FOR REFERENCE ONLY.
-  MARKING IS FOR PACKAGE ORIENTATION REFERENCE ONLY.

-DRAWING NOT TO SCALE-

		
TITLE: PACKAGE OUTLINE, 6,8,10 & 14L, TDFN, EXPOSED PAD, 3x3x0.80 mm		
APPROVAL	DOCUMENT CONTROL NO. 21-0137	REV. I 2/2

Maxim cannot assume responsibility for use of any circuitry other than circuitry entirely embodied in a Maxim product. No circuit patent licenses are implied. Maxim reserves the right to change the circuitry and specifications without notice at any time.

14 **Maxim Integrated Products, 120 San Gabriel Drive, Sunnyvale, CA 94086 408-737-7600**