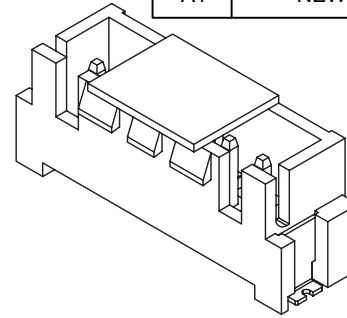
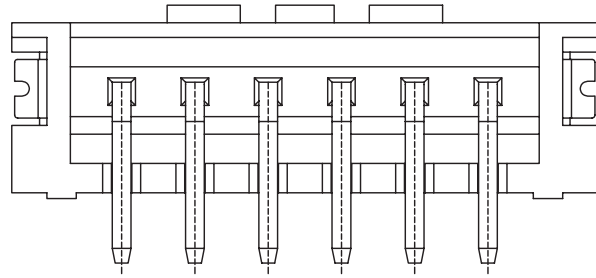


RoHS

REV	ECN NO.	DESCRIPTION	DESIGN	APPROVAL	DATE
A1	NEW	更换图框			2023.11.25



SPECIFICATIONS

1. Current rating: 3A AC, DC
2. Voltage rating: 250V AC, DC
3. Temperature range: -40°C ~ +105°C
4. Insulation resistance: 1000MΩ Min.
5. Withstanding voltage: 1000V AC/ minute.
6. Contact resistance: 20mΩ Max.

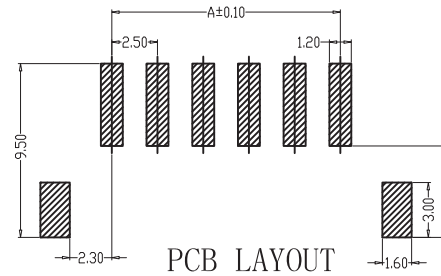
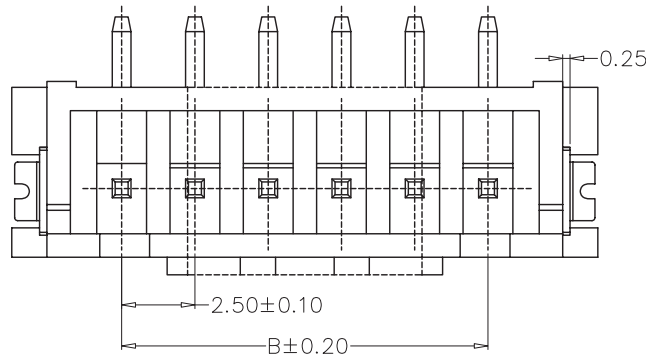
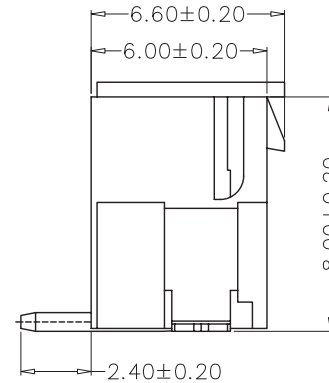
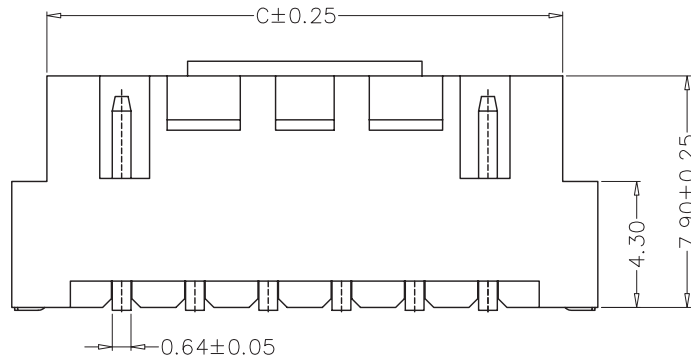
Material:

Insulator: Nylon LCP UL94v-0
 Contact: Brass
 Solder Nail: Brass
 Plating: Tin plated over Nickel
 Mate with: XFCN P2501L series Housing
 Ordering Code:

M2501VSF-xxP

1

1: Pin位数



Pin 位数	尺寸 (mm)		
	A	B	C
02	2.50	7.50	10.00
03	5.00	10.00	12.50
04	7.50	12.50	15.00
05	10.00	15.00	17.50
06	12.50	17.50	20.00
07	15.00	20.00	22.50
08	17.50	22.50	25.00
09	20.00	25.00	27.50
10	22.50	27.50	30.00
11	25.00	30.00	32.50
12	27.50	32.50	35.00
20	47.50	52.50	55.00

X.±0.50	X.°±
.X±0.25	.X°±
.XX±0.15	.XX°±
.XXX±0.10	.XXX°±
UNITS:	mm

THESE DRAWINGS AND SPECIFICATIONS ARE THE PROPERTY OF XFCN AND SHALL NOT BE REPRODUCED, COPIED OR CUED IN ANY MANNER WITHOUT THE PRIOR WRITTEN CONSENT OF XFCN

PART NO: M2501VSF-xxP	
TITLE: 2.5mm Pitch SMT 180° WAFER	
APPD	
CHKD	
DRAW	Wang
DATE	2024.01.20

XFCN 兴飞连接器				
0769-82001899				
www.xfconn.com				
DWG NO: /				
VIEW				
DRAW	Wang	SCALE	SHEET	REV
DATE	2024.01.20	NONE	1:1	A1