

## ADG526A/ADG527A

### FEATURES

**44V Supply Maximum Rating**  
 **$V_{SS}$  to  $V_{DD}$  Analog Signal Range**  
**Single/Dual Supply Specifications**  
**Wide Supply Ranges (10.8V to 16.5V)**  
**Microprocessor Compatible (100ns  $\overline{WR}$  Pulse)**  
**Extended Plastic Temperature Range**  
 (-40°C to +85°C)  
**Low Leakage (20pA typ)**  
**Low Power Dissipation (28mW max)**  
**Available in DIP, SOIC, PLCC and LCCC Packages**  
**Superior Alternative to:**  
 DG526  
 DG527

### GENERAL DESCRIPTION

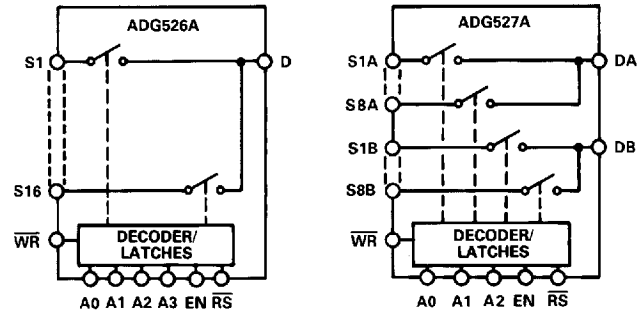
The ADG526A and ADG527A are CMOS monolithic analog multiplexers with 16 channels and dual 8 channels respectively. On-chip latches facilitate microprocessor interfacing. The ADG526A switches one of 16 inputs to a common output depending on the state of four binary addresses and an enable input. The ADG527A switches one of 8 differential inputs to a common differential output depending on the state of three binary addresses and an enable input. Both devices have TTL and 5V CMOS logic compatible digital inputs.

The ADG526A and ADG527A are designed on an enhanced LC<sup>2</sup>MOS process which gives an increased signal capability of  $V_{SS}$  to  $V_{DD}$  and enables operation over a wide range of supply voltages. The devices can comfortably operate anywhere in the 10.8V to 16.5V single or dual supply range. These multiplexers also feature high switching speeds and low  $R_{ON}$ .

### REV. A

Information furnished by Analog Devices is believed to be accurate and reliable. However, no responsibility is assumed by Analog Devices for its use, nor for any infringements of patents or other rights of third parties which may result from its use. No license is granted by implication or otherwise under any patent or patent rights of Analog Devices.

### FUNCTIONAL BLOCK DIAGRAMS



### PRODUCT HIGHLIGHTS

- Single/Dual Supply Specifications with a Wide Tolerance:**  
 The devices are specified in the 10.8V to 16.5V range for both single and dual supplies.
- Easily Interfaced:**  
 The ADG526A and ADG527A can be easily interfaced with microprocessors. The  $\overline{WR}$  signal latches the state of the Address control lines and the Enable line. The  $\overline{RS}$  signal clears both the address and enable data in the latches resulting in no output (all switches off).  $\overline{RS}$  can be tied to the microprocessor reset pin.
- Extended Signal Range:**  
 The enhanced LC<sup>2</sup>MOS processing results in a high breakdown and an increased analog signal range of  $V_{SS}$  to  $V_{DD}$ .
- Break-Before-Make Switching:**  
 Switches are guaranteed break-before-make so that input signals are protected against momentary shorting.
- Low Leakage:**  
 Leakage currents in the range of 20pA make these multiplexers suitable for high precision circuits.

# ADG526A/ADG527A—SPECIFICATIONS

Dual Supply ( $V_{DD} = +10.8V$  to  $+16.5V$ ,  $V_{SS} = -10.8V$  to  $-16.5V$  unless otherwise noted.)

Parameter	ADG526A ADG527A K Version		ADG526A ADG527A B Version		ADG526A ADG527A T Version		Units	Comments
	+25°C	-40°C to +85°C	+25°C	-40°C to +85°C	+25°C	-55°C to +125°C		
<b>ANALOG SWITCH</b>								
Analog Signal Range	$V_{SS}$ $V_{DD}$	$V_{SS}$ $V_{DD}$	$V_{SS}$ $V_{DD}$	$V_{SS}$ $V_{DD}$	$V_{SS}$ $V_{DD}$	$V_{SS}$ $V_{DD}$	V min V max	
$R_{ON}$	280 450 300	600 400	280 450 300	600 400	280 450 300	400	$\Omega$ typ $\Omega$ max $\Omega$ max	-10V $\leq$ $V_S$ $\leq$ +10V, $I_{DS} = 1mA$ ; Test Circuit 1  $V_{DD} = 15V(\pm 10\%)$ , $V_{SS} = -15V(\pm 10\%)$ $V_{DD} = 15V(\pm 5\%)$ , $V_{SS} = -15V(\pm 5\%)$ -10V $\leq$ $V_S$ $\leq$ +10V, $I_{DS} = 1mA$
$R_{ON}$ Drift	0.6		0.6		0.6		%/°C typ	-10V $\leq$ $V_S$ $\leq$ +10V, $I_{DS} = 1mA$
$R_{ON}$ Match	5		5		5		% typ	-10V $\leq$ $V_S$ $\leq$ +10V, $I_{DS} = 1mA$
$I_S$ (OFF), Off Input Leakage	0.02 1	50	0.02 1	50	0.02 1	50	nA typ nA max	$V_1 = \pm 10V$ , $V_2 = \mp 10V$ ; Test Circuit 2
$I_D$ (OFF), Off Output Leakage	0.04 1	200	0.04 1	200	0.04 1	200	nA typ nA max nA max	$V_1 = \pm 10V$ , $V_2 = \mp 10V$ ; Test Circuit 3
ADG526A	1	100	1	100	1	100		
ADG527A	1	100	1	100	1	100		
$I_D$ (ON), On Channel Leakage	0.04 1	200	0.04 1	200	0.04 1	200	nA typ nA max nA max	$V_1 = \pm 10V$ , $V_2 = \mp 10V$ ; Test Circuit 4
ADG526A	1	100	1	100	1	100		
ADG527A	1	100	1	100	1	100		
$I_{DIFF}$ , Differential Off Output Leakage (ADG527A only)		25		25		25	nA max	$V_1 = \pm 10V$ , $V_2 = \mp 10V$ ; Test Circuit 5
<b>DIGITAL CONTROL</b>								
$V_{INH}$ , Input High Voltage		2.4		2.4		2.4	V min	
$V_{INL}$ , Input Low Voltage		0.8		0.8		0.8	V max	
$I_{INL}$ or $I_{INH}$		1		1		1	$\mu A$ max	$V_{IN} = 0$ to $V_{DD}$
$C_{IN}$ Digital Input Capacitance	8		8		8		pF max	
<b>DYNAMIC CHARACTERISTICS<sup>1</sup></b>								
$t_{TRANSITION}$	200 300	400	200 300	400	200 300	400	ns typ ns max	$V_1 = \pm 10V$ , $V_2 = \mp 10V$ ; Test Circuit 6
$t_{OPEN}$	50 25	10	50 25	10	50 25	10	ns typ ns min	Test Circuit 7
$t_{ON}(EN, \overline{WR})$	200 300	400	200 300	400	200 300	400	ns typ ns max	Test Circuits 8 and 9
$t_{OFF}(EN, \overline{RS})$	200 300	400	200 300	400	200 300	400	ns typ ns max	Test Circuits 8 and 10
$t_W$ Write Pulse Width	100	120	100	120	100	130	ns min	See Figure 1
$t_S$ Address, Enable Setup Time		100		100		100	ns min	See Figure 1
$t_H$ Address, Enable Hold Time		10		10		10	ns min	See Figure 1
$t_{RS}$ Reset Pulse Width		100		100		100	ns min	See Figure 2
OFF Isolation	68 50		68 50		68 50		dB typ dB min	$V_{EN} = 0.8V$ , $R_L = 1k\Omega$ , $C_L = 15pF$ , $V_S = 7V$ rms, $f = 100kHz$
$C_S$ (OFF)	5		5		5		pF typ	$V_{EN} = 0.8V$
$C_D$ (OFF)								
ADG526A	44		44		44		pF typ	$V_{EN} = 0.8V$
ADG527A	22		22		22		pF typ	
$Q_{INJ}$ , Charge Injection	4		4		4		pC typ	$R_S = 0\Omega$ , $V_S = 0V$ ; Test Circuit 11
<b>POWER SUPPLY</b>								
$I_{DD}$	0.6	1.5	0.6	1.5	0.6	1.5	mA typ mA max	$V_{IN} = V_{INL}$ or $V_{INH}$
$I_{SS}$	20	0.2	20	0.2	20	0.2	$\mu A$ typ mA max	$V_{IN} = V_{INL}$ or $V_{INH}$
Power Dissipation	10	28	10	28	10	28	mW typ mW max	

**NOTE**

<sup>1</sup>Sample tested at +25°C to ensure compliance.

Specifications subject to change without notice.

Single Supply ( $V_{DD} = +10.8V$  to  $+16.5V$ ,  $V_{SS} = GND = 0V$  unless otherwise noted.)

Parameter	ADG526A ADG527A K Version		ADG526A ADG527A B Version		ADG526A ADG527A T Version		Units	Comments
	+25°C	-40°C to +85°C	+25°C	-40°C to +85°C	+25°C	-55°C to +125°C		
<b>ANALOG SWITCH</b>								
Analogue Signal Range	$V_{SS}$ $V_{DD}$	$V_{SS}$ $V_{DD}$	$V_{SS}$ $V_{DD}$	$V_{SS}$ $V_{DD}$	$V_{SS}$ $V_{DD}$	$V_{SS}$ $V_{DD}$	V min V max	
$R_{ON}$	500	1000	500	1000	500	1000	$\Omega$ typ $\Omega$ max	$0V \leq V_S \leq +10V$ , $I_{DS} = 0.5mA$ ; Test Circuit 1
$R_{ON}$ Drift	0.6		0.6		0.6		%/°C typ	$0V \leq V_S \leq +10V$ , $I_{DS} = 0.5mA$
$R_{ON}$ Match	5		5		5		% typ	$0V \leq V_S \leq +10V$ , $I_{DS} = 0.5mA$
$I_S$ (OFF), Off Input Leakage	0.02 1	50	0.02 1	50	0.02 1	50	nA typ nA max	$V_1 = +10V/0V$ , $V_2 = 0V/+10V$ ; Test Circuit 2
$I_D$ (OFF), Off Output Leakage	0.04 1	200	0.04 1	200	0.04 1	200	nA typ nA max	$V_1 = +10V/0V$ , $V_2 = 0V/+10V$ ; Test Circuit 3
ADG526A	1	100	1	100	1	100	nA max	
ADG527A	1	100	1	100	1	100	nA max	
$I_D$ (ON), On Channel Leakage	0.04 1	200	0.04 1	200	0.04 1	200	nA typ nA max	$V_1 = +10V/0V$ , $V_2 = 0V/+10V$ ; Test Circuit 4
ADG526A	1	200	1	200	1	200	nA max	
ADG527A	1	100	1	100	1	100	nA max	
$I_{DIFF}$ , Differential Off Output Leakage (ADG527A only)		25		25		25	nA max	$V_1 = +10V/0V$ , $V_2 = 0V/+10V$ ; Test Circuit 5
<b>DIGITAL CONTROL</b>								
$V_{INH}$ , Input High Voltage		2.4		2.4		2.4	V min	
$V_{INL}$ , Input Low Voltage		0.8		0.8		0.8	V max	
$I_{INL}$ or $I_{INH}$		1		1		1	$\mu A$ max	$V_{IN} = 0$ to $V_{DD}$
$C_{IN}$ Digital Input Capacitance	8		8		8		pF max	
<b>DYNAMIC CHARACTERISTICS<sup>1</sup></b>								
$t_{TRANSITION}$	300 450	600	300 450	600	300 450	600	ns typ ns max	$V_1 = +10V/0V$ , $V_2 = 0V/+10V$ ; Test Circuit 6
$t_{OPEN}$	50		50		50		ns typ	Test Circuit 7
	25	10	25	10	25	10	ns min	
$t_{ON}$ (EN, $\overline{WR}$ )	250 450	600	250 450	600	250 450	600	ns typ ns max	Test Circuits 8 and 9
$t_{OFF}$ (EN, $\overline{RS}$ )	250 450	600	250 450	600	250 450	600	ns typ ns max	Test Circuits 8 and 10
$t_W$ Write Pulse Width	100	120	100	120	100	130	ns min	See Figure 1
$t_S$ Address, Enable Setup Time		100		100		100	ns min	See Figure 1
$t_H$ Address, Enable Hold Time		10		10		10	ns min	See Figure 1
$t_{RS}$ Reset Pulse Width		100		100		100	ns min	See Figure 2
OFF Isolation	68 50		68 50		68 50		dB typ dB min	$V_{EN} = 0.8V$ , $R_L = 1k\Omega$ , $C_L = 15pF$ , $V_S = 3.5V$ rms, $f = 100kHz$
$C_S$ (OFF)	5		5		5		pF typ	$V_{EN} = 0.8V$
$C_D$ (OFF)	44		44		44		pF typ	$V_{EN} = 0.8V$
ADG526A	22		22		22		pF typ	
ADG527A	4		4		4		pC typ	$R_S = 0\Omega$ , $V_S = 0V$ ; Test Circuit 11
$Q_{INJ}$ , Charge Injection	4		4		4		pC typ	
<b>POWER SUPPLY</b>								
$I_{DD}$	0.6	1.5	0.6	1.5	0.6	1.5	mA typ mA max	$V_{IN} = V_{INL}$ or $V_{INH}$
Power Dissipation	11	25	11	25	11	25	mW typ mW max	

## NOTE

<sup>1</sup>Sample tested at +25°C to ensure compliance.  
Specifications subject to change without notice.

## TIMING DIAGRAMS

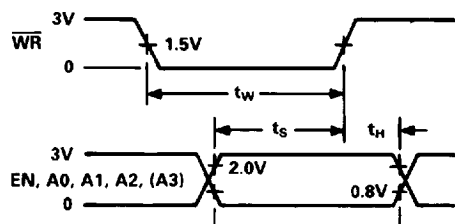


Figure 1.

Figure 1 shows the timing sequence for latching the switch address and enable inputs. The latches are level sensitive; therefore, while  $\overline{WR}$  is held low, the latches are transparent and the switches respond to the address and enable inputs. This input data is latched on the rising edge of  $\overline{WR}$ .

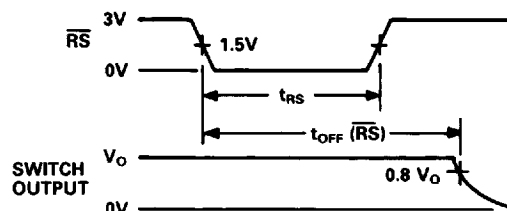


Figure 2.

Figure 2 shows the Reset Pulse Width,  $t_{RS}$ , and Reset Turn-off Time,  $t_{OFF}(\overline{RS})$ .

Note: All digital input signals rise and fall times measured from 10% to 90% of 3V.  $t_R = t_F = 20\text{ns}$ .

### ABSOLUTE MAXIMUM RATINGS\*

( $T_A = +25^\circ\text{C}$  unless otherwise noted)

$V_{DD}$ to $V_{SS}$ . . . . .	44V
$V_{DD}$ to GND . . . . .	25V
$V_{SS}$ to GND . . . . .	-25V
Analog Inputs <sup>1</sup>	
Voltage at S, D . . . . .	$V_{SS} - 2\text{V}$ to $V_{DD} + 2\text{V}$ or 20mA, Whichever Occurs First

Continuous Current, S or D . . . . .	20mA
Pulsed Current S or D	
1ms Duration, 10% Duty Cycle . . . . .	40mA

Digital Inputs <sup>1</sup>	
Voltage at A, EN, $\overline{WR}$ , $\overline{RS}$ . . . . .	$V_{SS} - 4\text{V}$ to $V_{DD} + 4\text{V}$ or 20mA, Whichever Occurs First

Power Dissipation (Any Package)	
Up to $+75^\circ\text{C}$ . . . . .	470mW
Derates above $+75^\circ\text{C}$ by . . . . .	6mW/ $^\circ\text{C}$

### Operating Temperature

Commerical (K Version) . . . . .	$-40^\circ\text{C}$ to $+85^\circ\text{C}$
Industrial (B Version) . . . . .	$-40^\circ\text{C}$ to $+85^\circ\text{C}$
Extended (T Version) . . . . .	$-55^\circ\text{C}$ to $+125^\circ\text{C}$
Storage Temperature Range . . . . .	$-65^\circ\text{C}$ to $+150^\circ\text{C}$
Lead Temperature (Soldering, 10sec) . . . . .	$+300^\circ\text{C}$

### NOTE

<sup>1</sup>Overvoltage at A, EN,  $\overline{WR}$ ,  $\overline{RS}$ , S or D will be clamped by diodes. Current should be limited to the maximum rating above.

\*COMMENT: Stresses above those listed under "Absolute Maximum Ratings" may cause permanent damage to the device. This is a stress rating only and functional operation of the device at these or any other conditions above those indicated in the operational sections of this specification is not implied. Exposure to absolute maximum rating conditions for extended periods may affect device reliability.

### CAUTION:

ESD (electrostatic discharge) sensitive device. The digital control inputs are diode protected; however, permanent damage may occur on unconnected devices subject to high energy electrostatic fields. Unused devices must be stored in conductive foam or shunts. The protective foam should be discharged to the destination socket before devices are inserted.



### ORDERING GUIDE

Model <sup>1</sup>	Temperature Range	Package Option <sup>2</sup>
ADG526AKN	$-40^\circ\text{C}$ to $+85^\circ\text{C}$	N-28
ADG526AKR	$-40^\circ\text{C}$ to $+85^\circ\text{C}$	R-28
ADG526AKP	$-40^\circ\text{C}$ to $+85^\circ\text{C}$	P-28A
ADG526ABQ	$-40^\circ\text{C}$ to $+85^\circ\text{C}$	Q-28
ADG526ATQ <sup>3</sup>	$-55^\circ\text{C}$ to $+125^\circ\text{C}$	Q-28
ADG526ATE <sup>3</sup>	$-55^\circ\text{C}$ to $+125^\circ\text{C}$	E-28A
ADG527AKN	$-40^\circ\text{C}$ to $+85^\circ\text{C}$	N-28
ADG527AKR	$-40^\circ\text{C}$ to $+85^\circ\text{C}$	R-28
ADG527AKP	$-40^\circ\text{C}$ to $+85^\circ\text{C}$	P-28A
ADG527ABQ	$-40^\circ\text{C}$ to $+85^\circ\text{C}$	Q-28
ADG527ATQ <sup>3</sup>	$-55^\circ\text{C}$ to $+125^\circ\text{C}$	Q-28
ADG527ATE <sup>3</sup>	$-55^\circ\text{C}$ to $+125^\circ\text{C}$	E-28A

### NOTES

<sup>1</sup>To order MIL-STD-883, Class B processed parts, add /883B to part number. See Analog Devices Military Products Databook (1990) for military data.

<sup>2</sup>E = Leadless Ceramic Chip Carrier; N = Narrow Plastic DIP; P = Plastic Leaded Chip Carrier; Q = Cerdip; R = 0.3" Small Outline IC (SOIC).

<sup>3</sup>Standard Military Drawing (SMD) assigned by DESC. SMD numbers are

- 5962-89710013X (ADG526ATE/883B)
- 5962-8971001XX (ADG526ATQ/883B)
- 5962-89710023X (ADG527ATE/883B)
- 5962-8971002XX (ADG527ATQ/883B)

## TRUTH TABLES

A3	A2	A1	A0	EN	WR	RS	ON SWITCH
X	X	X	X	X	1	1	Retains Previous Switch Condition
X	X	X	X	X	X	0	NONE (Address and Enable Latches Cleared)
X	X	X	X	0	0	1	NONE
0	0	0	0	1	0	1	1
0	0	0	1	1	0	1	2
0	0	1	0	1	0	1	3
0	0	1	1	1	0	1	4
0	1	0	0	1	0	1	5
0	1	0	1	1	0	1	6
0	1	1	0	1	0	1	7
0	1	1	1	1	0	1	8
1	0	0	0	1	0	1	9
1	0	0	1	1	0	1	10
1	0	1	0	1	0	1	11
1	0	1	1	1	0	1	12
1	1	0	0	1	0	1	13
1	1	0	1	1	0	1	14
1	1	1	0	1	0	1	15
1	1	1	1	1	0	1	16

X = Don't Care

ADG526A

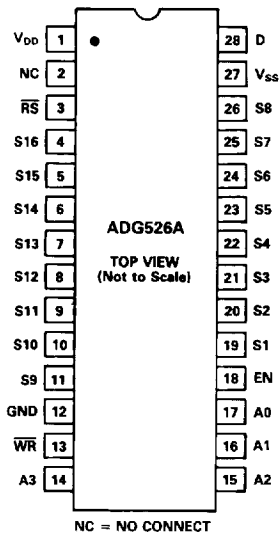
A2	A1	A0	EN	WR	RS	ON SWITCH PAIR
X	X	X	X	1	1	Retains Previous Switch Condition
X	X	X	X	X	0	NONE (Address and Enable Latches Cleared)
X	X	X	0	0	1	NONE
0	0	0	1	0	1	1
0	0	1	1	0	1	2
0	1	0	1	0	1	3
0	1	1	1	0	1	4
1	0	0	1	0	1	5
1	0	1	1	0	1	6
1	1	0	1	0	1	7
1	1	1	1	0	1	8

X = Don't Care

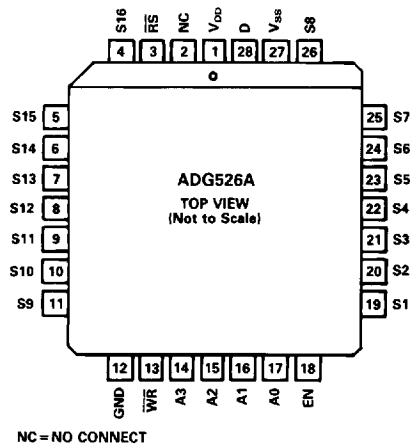
ADG527A

## PIN CONFIGURATIONS

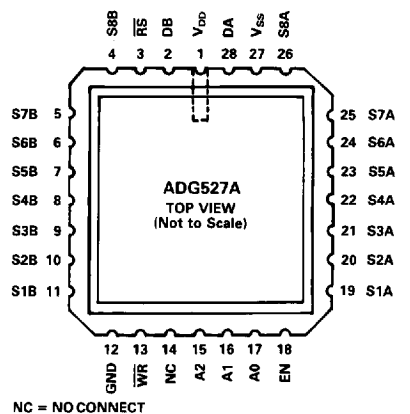
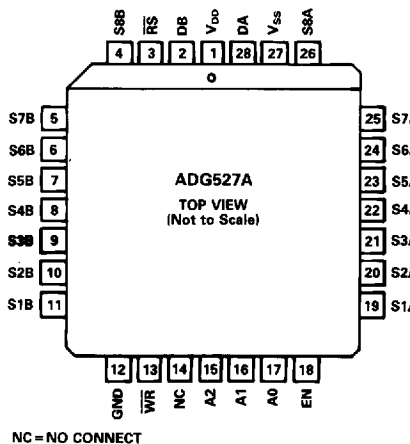
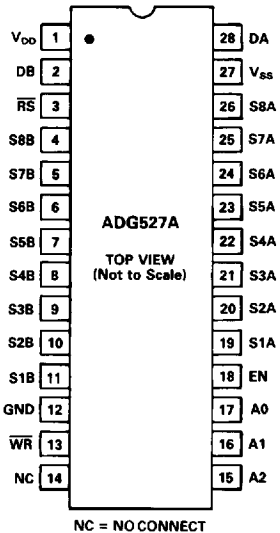
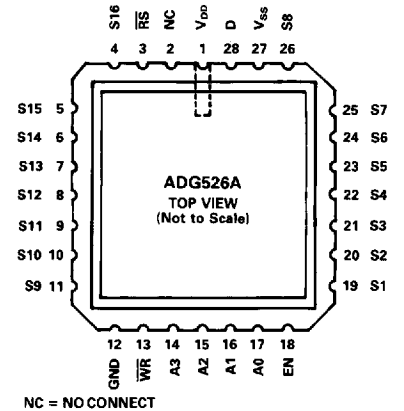
### DIP, SOIC



### LCCC



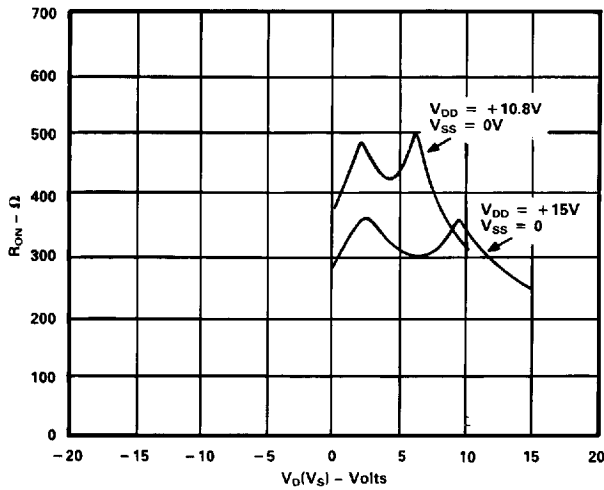
### PLCC



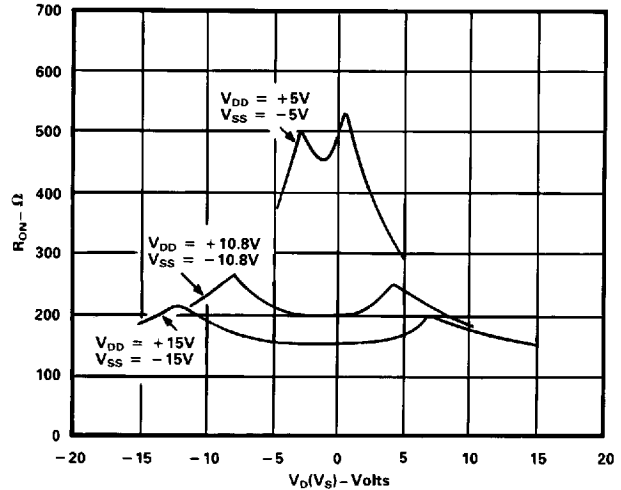
# ADG526A/ADG527A

## Typical Performance Characteristics

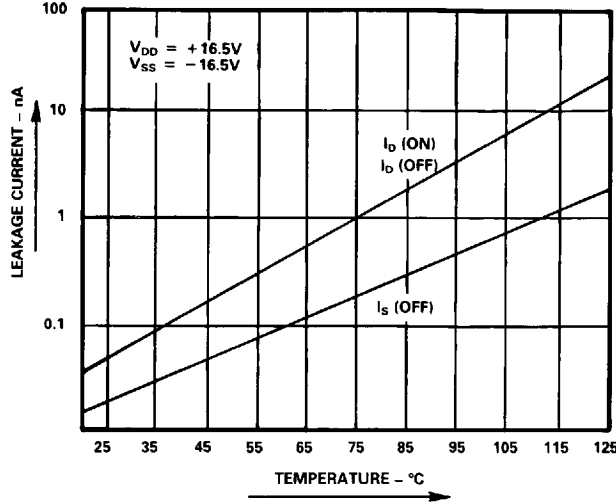
The multiplexers are guaranteed functional with reduced single or dual supplies down to 4.5V.



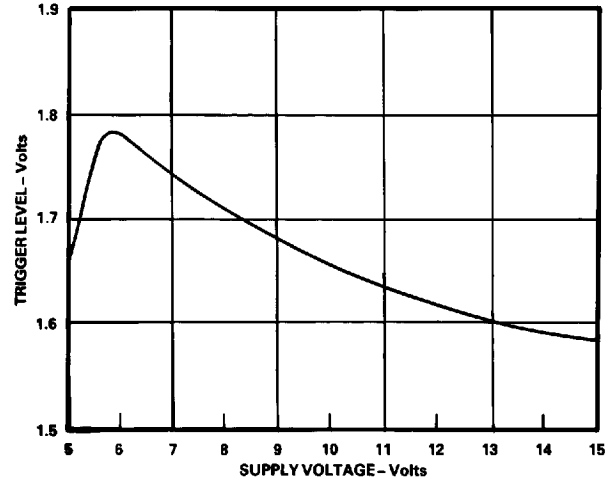
$R_{ON}$  as a Function of  $V_D(V_S)$ : Dual Supply Voltage,  $T_A = +25^\circ C$



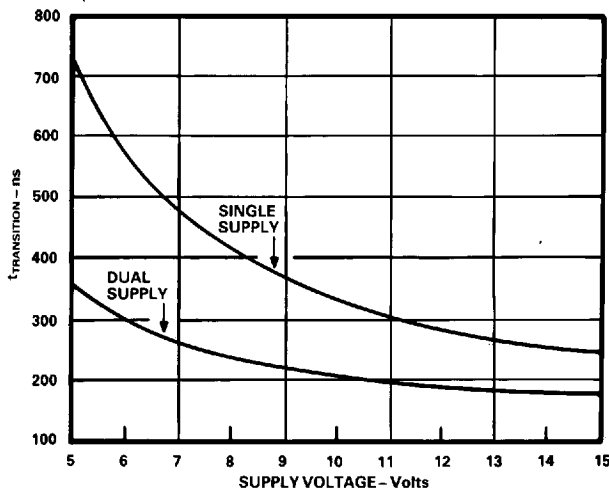
$R_{ON}$  as a Function of  $V_D(V_S)$ : Single Supply Voltage,  $T_A = +25^\circ C$



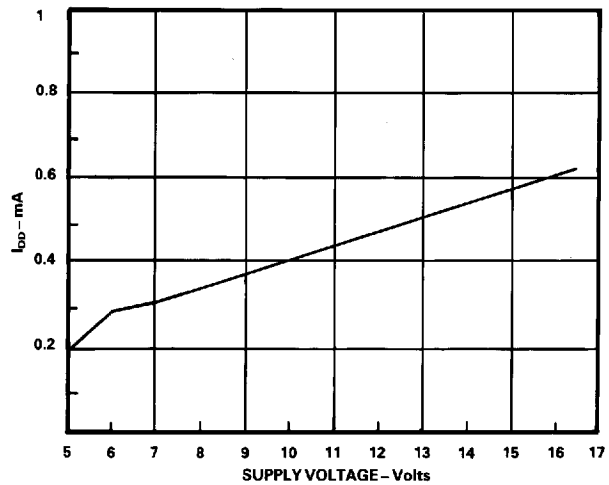
Leakage Current as a Function of Temperature  
(Note: Leakage Currents Reduce as the Supply Voltages Reduce)



Trigger Levels vs. Power Supply Voltage, Dual or Single Supply,  $T_A = +25^\circ C$



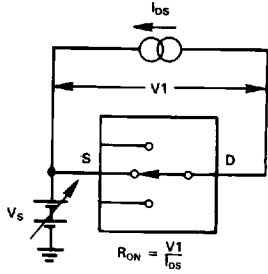
$t_{TRANSITION}$  vs. Supply Voltage: Dual and Single Supplies,  $T_A = +25^\circ C$   
(Note: For  $V_{DD}$  and  $|V_{SS}| < 10V$ ;  $V1 = V_{DD}/V_{SS}$ ,  $V2 = V_{SS}/V_{DD}$ . See Test Circuit 6)



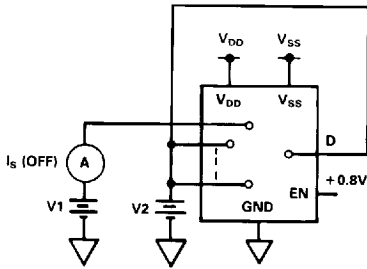
$I_{bD}$  vs. Supply Voltage: Dual or Single Supply,  $T_A = +25^\circ C$

# Test Circuits—ADG526A/ADG527A

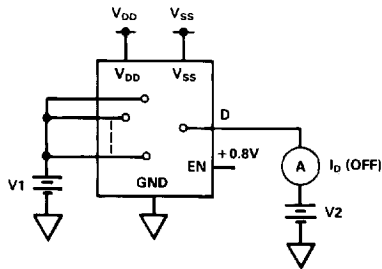
**TEST CIRCUIT 1  $R_{ON}$**



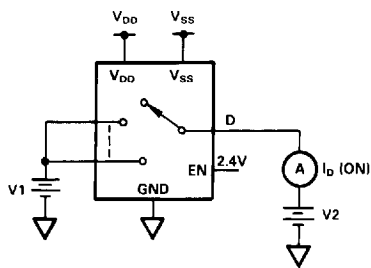
**TEST CIRCUIT 2  $I_S$  (OFF)**



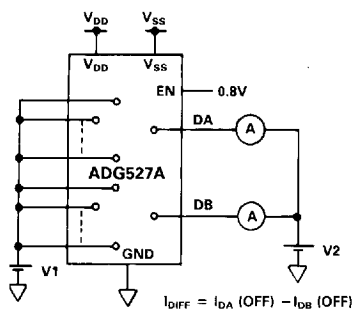
**TEST CIRCUIT 3  $I_D$  (OFF)**



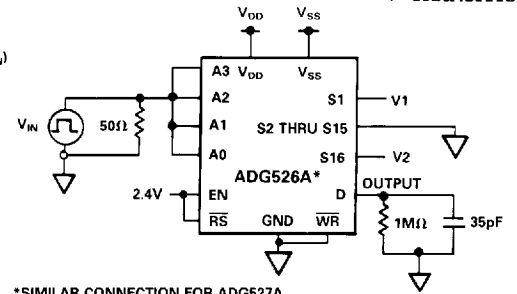
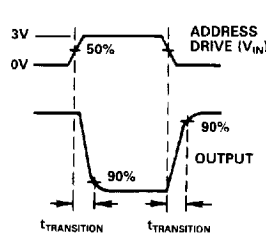
**TEST CIRCUIT 4  $I_D$  (ON)**



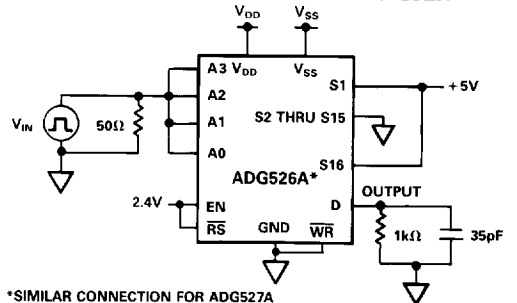
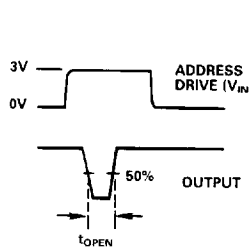
**TEST CIRCUIT 5  $I_{DIFF}$**



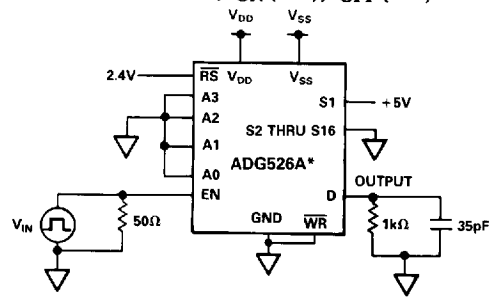
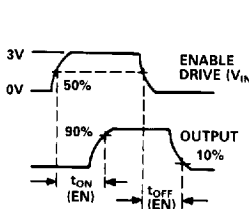
**TEST CIRCUIT 6 SWITCHING TIME OF MULTIPLEXER,  $t_{TRANSITION}$**



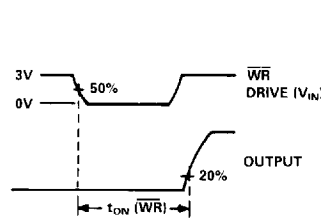
**TEST CIRCUIT 7 BREAK-BEFORE-MAKE DELAY,  $t_{OPEN}$**



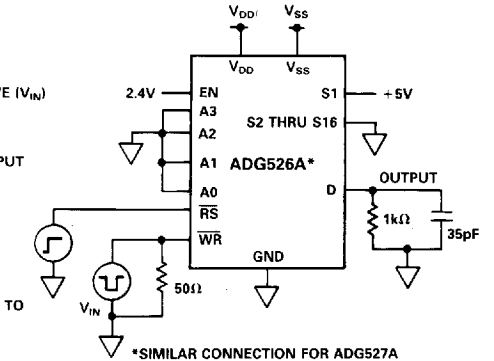
**TEST CIRCUIT 8 ENABLE DELAY,  $t_{ON}$  (EN),  $t_{OFF}$  (EN)**



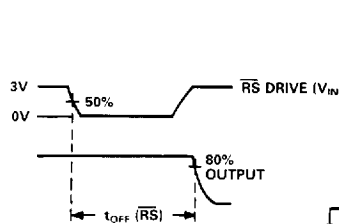
**TEST CIRCUIT 9 WRITE TURN-ON TIME,  $t_{ON}$  ( $\overline{WR}$ )**



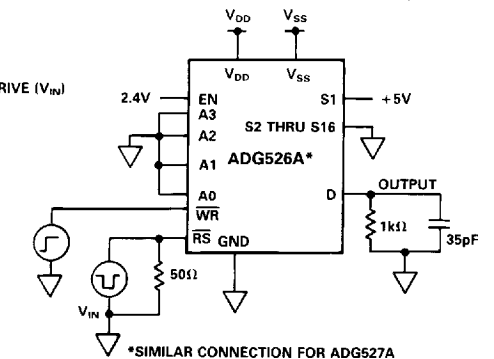
NOTE: DEVICE MUST BE RESET PRIOR TO APPLYING  $\overline{WR}$  PULSE



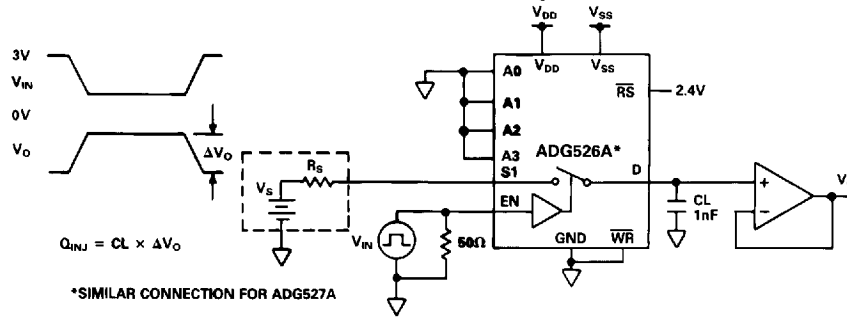
**TEST CIRCUIT 10 RESET TURN-OFF TIME,  $t_{OFF}$  ( $\overline{RS}$ )**



NOTE:  $\overline{WR}$  MUST BE PULSED LOW PRIOR TO APPLYING  $\overline{RS}$  PULSE.



TEST CIRCUIT 11 CHARGE INJECTION



\*SIMILAR CONNECTION FOR ADG527A

TERMINOLOGY

- $R_{ON}$  Ohmic resistance between terminals D and S
- $R_{ON}$  Match Difference between the  $R_{ON}$  of any two channels
- $R_{ON}$  Drift Change in  $R_{ON}$  versus temperature
- $I_S$  (OFF) Source terminal leakage current when the switch is off
- $I_D$  (OFF) Drain terminal leakage current when the switch is off
- $I_D$  (ON) Leakage current that flows from the closed switch into the body
- $V_S$  ( $V_D$ ) Analog voltage on terminal S or D
- $C_S$  (OFF) Channel input capacitance for "OFF" condition
- $C_D$  (OFF) Channel output capacitance for "OFF" condition
- $C_{IN}$  Digital input capacitance
- $t_{ON}$  (EN) Delay time between the 50% and 90% points of the digital input and switch "ON" condition

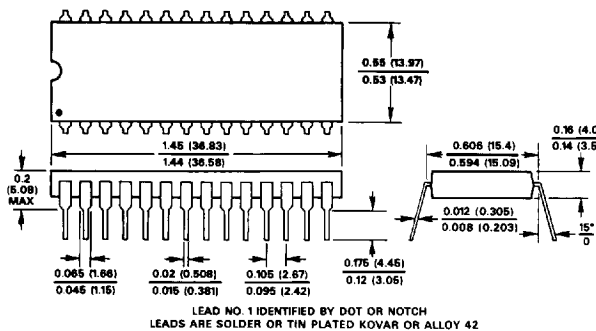
- $t_{OFF}$  (EN) Delay time between the 50% and 10% points of the digital input and switch "OFF" condition
- $t_{TRANSITION}$  Delay time between the 50% and 90% points of the digital inputs and switch "ON" condition when switching from one address state to another
- $t_{OPEN}$  "OFF" time measured between 50% points of both switches when switching from one address state to another
- $V_{INL}$  Maximum input voltage for Logic "0"
- $V_{INH}$  Minimum input voltage for Logic "1"
- $I_{INL}$  ( $I_{INH}$ ) Input current of the digital input
- $V_{DD}$  Most positive voltage supply
- $V_{SS}$  Most negative voltage supply
- $I_{DD}$  Positive supply current
- $I_{SS}$  Negative supply current

MECHANICAL INFORMATION

OUTLINE DIMENSIONS

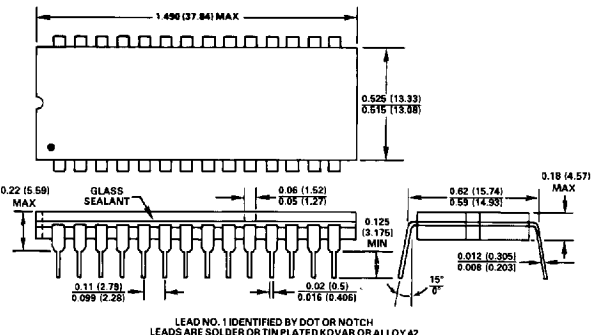
Dimension shown in inches and (mm).

28-Pin Plastic DIP (Suffix N)



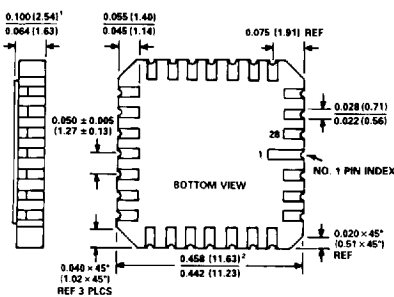
LEAD NO. 1 IDENTIFIED BY DOT OR NOTCH  
LEADS ARE SOLDER OR TIN PLATED KOVAR OR ALLOY 42

28-Pin Cerdip (Suffix Q)



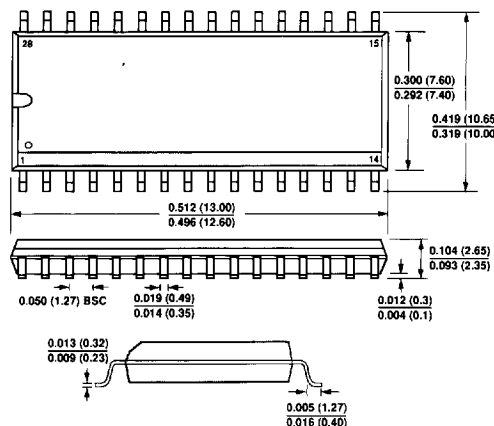
LEAD NO. 1 IDENTIFIED BY DOT OR NOTCH  
LEADS ARE SOLDER OR TIN PLATED KOVAR OR ALLOY 42

28-Terminal Leadless Ceramic Chip Carrier (Suffix E)

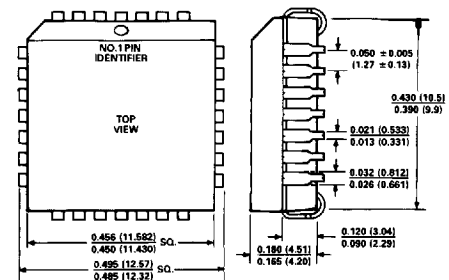


NOTES  
1 THIS DIMENSION CONTROLS THE OVERALL PACKAGE THICKNESS.  
2 APPLIES TO ALL FOUR SIDES  
ALL TERMINALS ARE GOLD PLATED.

28-Pin SOIC (R) Package



28-Terminal Plastic Leaded Chip Carrier (Suffix P)





## Package/Price Information

Latchable 16-Channel Multiplexer (Latched ADG506A)

Model	Status	Package Description	Pin Count	Temperature Range	Price* (100-499)
5962-89710013X	PRODUCTION	CER. LEADLESS CHIP CARRIER	28	MILITARY	\$54.75
5962-8971001XX	PRODUCTION	CERDIP GLASS SEAL	28	MILITARY	\$30.01
ADG526ABCHIPS	PRODUCTION	CHIPS/DIE SALES	28	COMMERCIAL	\$9.67
ADG526ABQ	PRODUCTION	CERDIP GLASS SEAL	28	COMMERCIAL	-
ADG526AKN	PRODUCTION	PLASTIC/EPOXY DIP	28	COMMERCIAL	\$6.32
ADG526AKP	PRODUCTION	PLASTIC LEAD CHIP CARRIER	28	COMMERCIAL	\$6.64
ADG526AKP-REEL	PRODUCTION	PLASTIC LEAD CHIP CARRIER	28	COMMERCIAL	-
ADG526AKR	PRODUCTION	STD S.O. PKG (SOIC)	28	COMMERCIAL	\$6.32
ADG526AKR-REEL	PRODUCTION	STD S.O. PKG (SOIC)	28	COMMERCIAL	-
ADG526ATCHIPS	PRODUCTION	CHIPS/DIE SALES	28	COMMERCIAL	\$12.58
ADG526ATE	PRE-RELEASE	CER. LEADLESS CHIP CARRIER	28	MILITARY	-
ADG526ATQ	PRODUCTION	CERDIP GLASS SEAL	28	MILITARY	\$19.74

\* This price is provided for budgetary purposes as recommended list price in U.S. Dollars per unit in the stated volume. Pricing displayed for Evaluation Boards and Kits is based on 1-piece pricing. View [Pricing and Availability](#) for further information.

## Package/Price Information

Latchable Differential 8 Channel Multiplexer (Latched ADG507A)

Model	Status	Package Description	Pin Count	Temperature Range	Price* (100-499)
5962-89710023X	PRODUCTION	CER. LEADLESS CHIP CARRIER	28	MILITARY	\$52.64
5962-8971002XX	PRODUCTION	CERDIP GLASS SEAL	28	MILITARY	\$28.86
ADG527ABCHIPS	PRODUCTION	CHIPS/DIE SALES	28	COMMERCIAL	\$9.30
ADG527ABQ	PRE-RELEASE	CERDIP GLASS SEAL	28	COMMERCIAL	\$17.07
ADG527AKN	PRODUCTION	PLASTIC/EPOXY DIP	28	COMMERCIAL	-
ADG527AKP	PRODUCTION	PLASTIC LEAD CHIP CARRIER	28	COMMERCIAL	-
ADG527AKR	PRODUCTION	STD S.O. PKG (SOIC)	28	COMMERCIAL	\$6.08
ADG527ATCHIPS	PRODUCTION	CHIPS/DIE SALES	28	COMMERCIAL	\$12.10

\* This price is provided for budgetary purposes as recommended list price in U.S. Dollars per unit in the stated volume. Pricing displayed for Evaluation Boards and Kits is based on 1-piece pricing. View [Pricing and Availability](#) for further information.