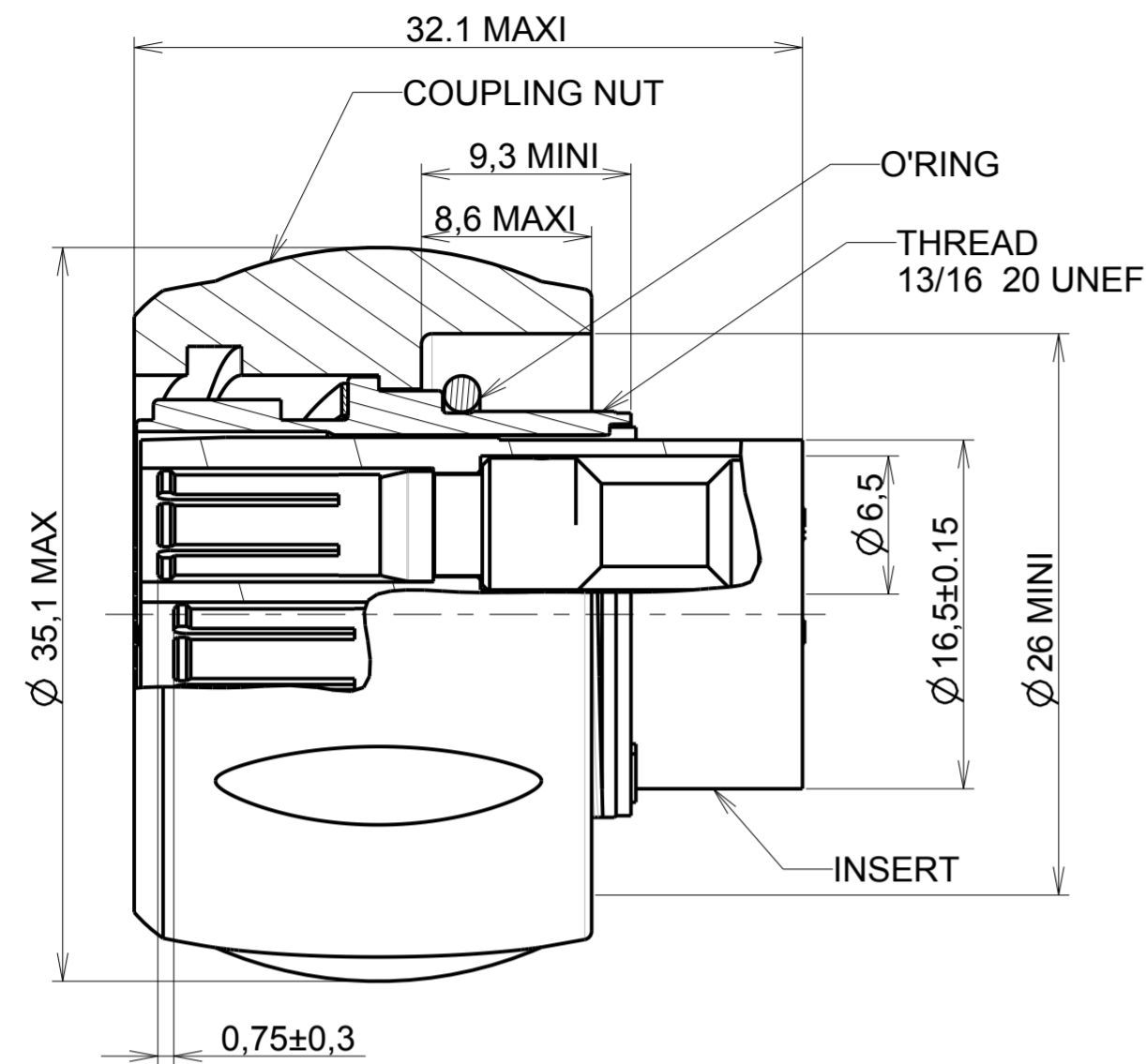
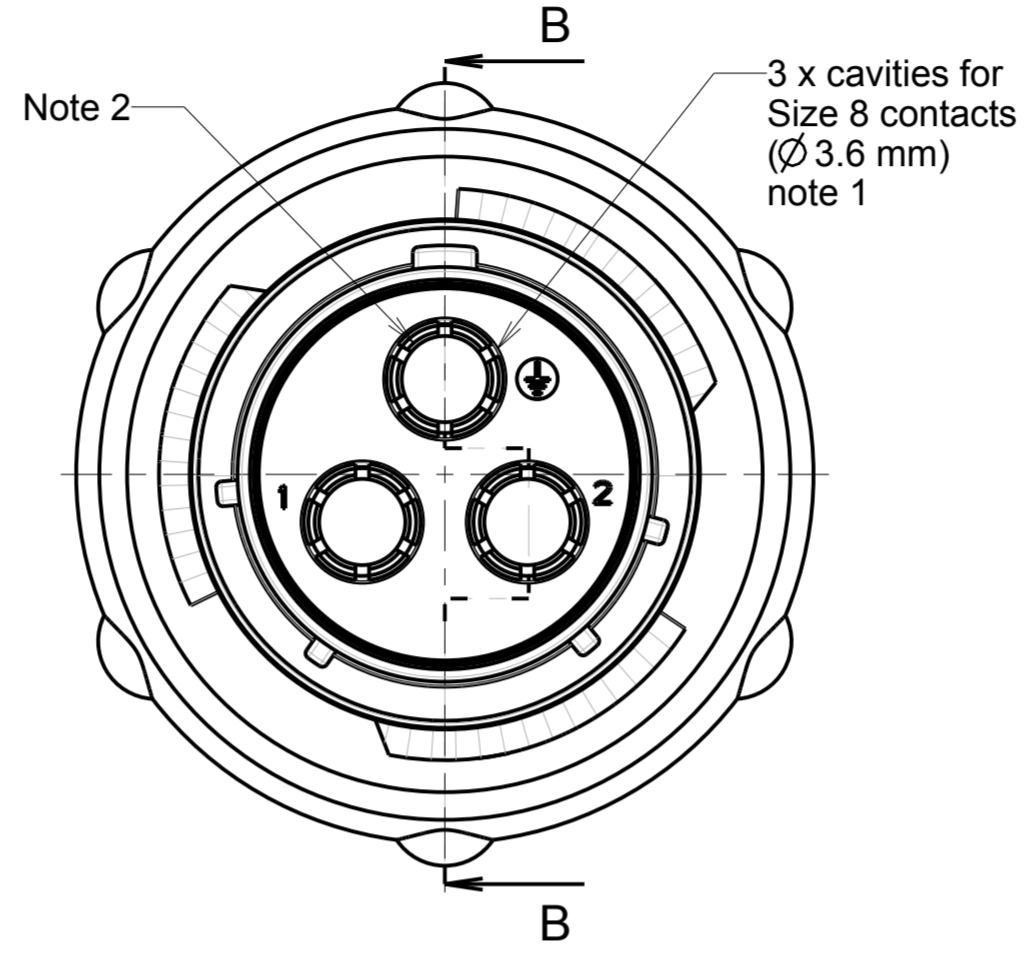


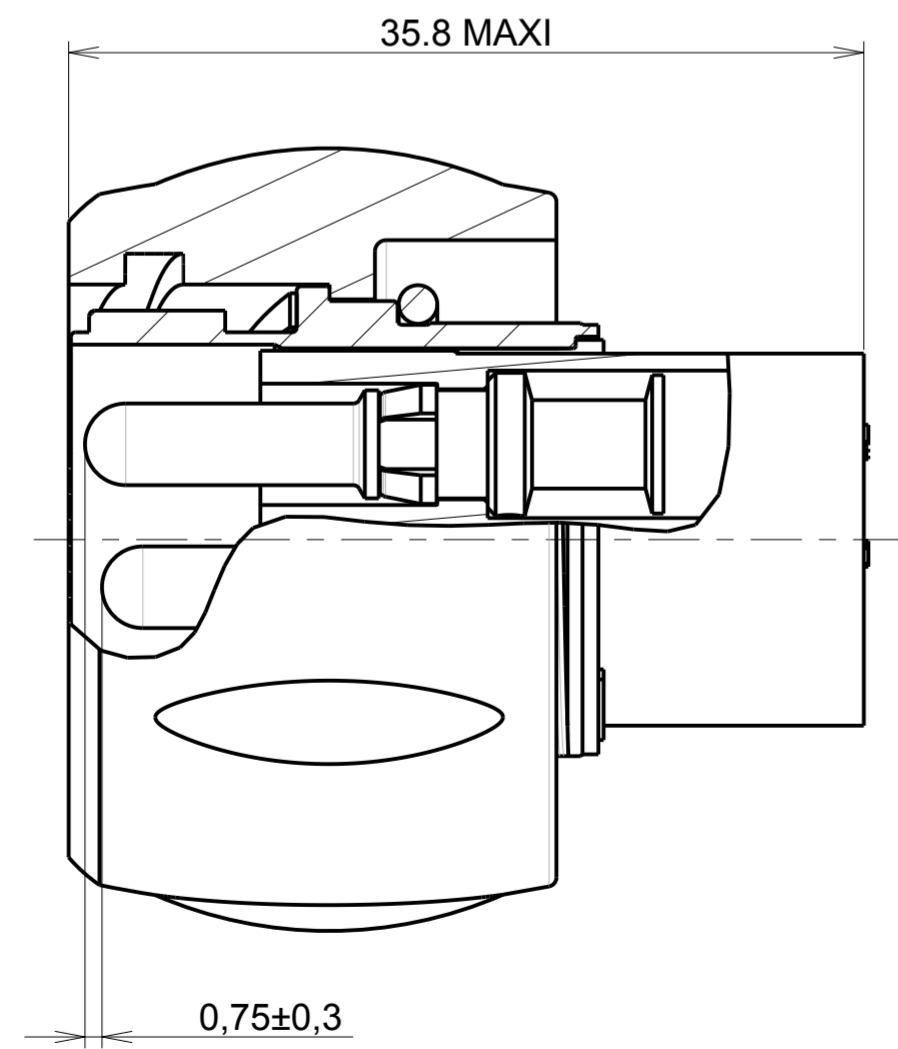
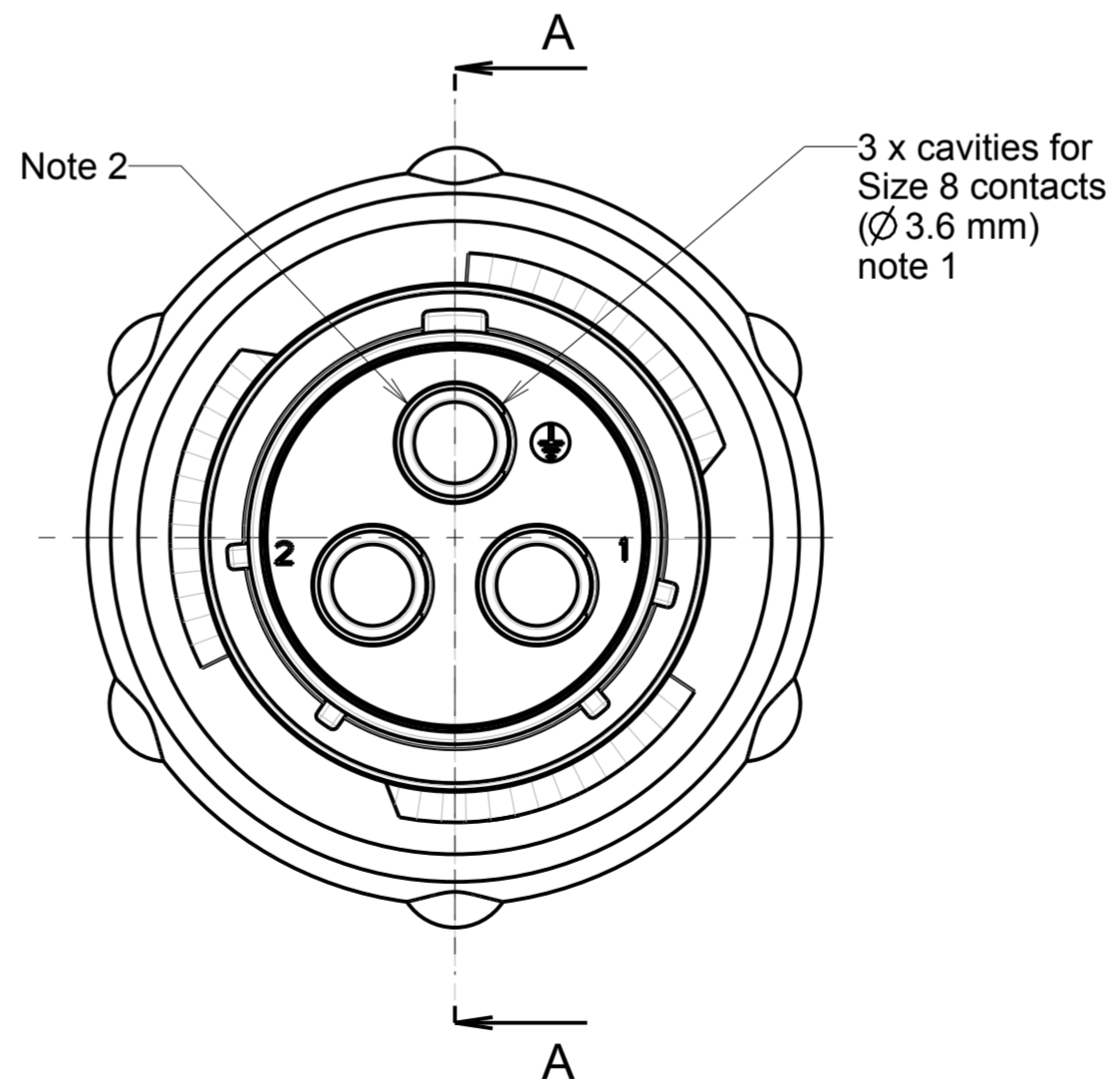
h : 1 : RL



### MATING FACE FEMALE CONNECTOR



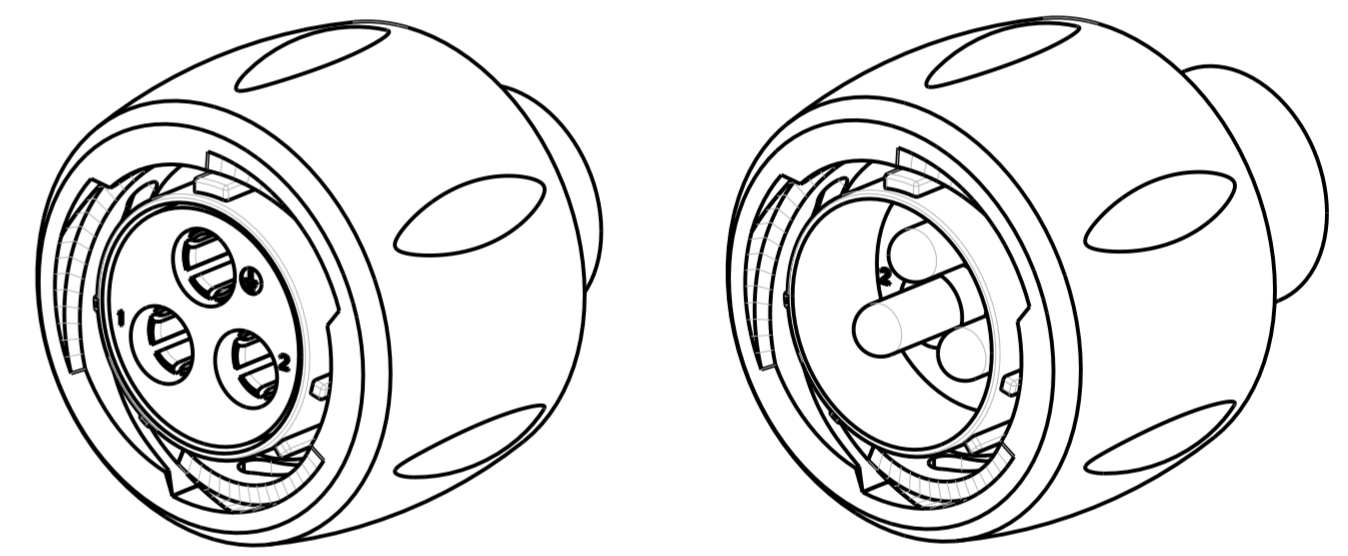
### MATING FACE MALE CONNECTOR



**MATERIAL :**  
 Coupling Nut: Polyamid UL94 V-0  
 Insert: Polyamid UL94 V0  
 Shell : Polyamid UL94 V-0  
 Coupling spring : Carbon steel  
 O'seal : Nitril

**PERFORMANCE CHARACTERISTICS :**  
 Operating temperature: -40°C up to 105°C  
 Insulation resistance: 5000 MΩ min  
 Test potential: 2000 Vrms between pole  
 Corrosion salt spray: 500 hours  
 Durability: 250 matings and unmatings  
 Sealing in mated conditions:  
 -IP68 1 bar during 1 week : immersion under 10 m of water. (IEC 60529)  
 -IP69K : exposure to high pressure water of cleaning equipment (DIN 40050)

**NOTES :**  
 -1-Contact to be ordered separately : refer to UTS SERIES catalog  
 -2-Earth cavity is a First mate last break contact



P/N: Male connector: UTS6142G1P  
 Female connector : UTS6142G1S

## CUSTOMER DRAWING

h	03/10/11	Update drawing		
ISS	DATE	Latest modification - by:	J.FEURPRIER	MOD N°
Designed by:	ROUILLARD C.	Date:	02/10/07	CUSTOMER DRAWING
TITLE	CABLE PLUG WITH 3 CONTACTS Ø3.6mm UTS CONNECTOR			
Scale	1/1	General linear Tolerances: ± 0.2	NPRDS / PROJECT IC084601A	
		WWW.SOURIAU.COM		This document is the property of SOURIAU. It must not be reproduced or communicated without permission.
FORMAT	A2	SOURIAU DRG N° C038-UTS1-A		SHEET 1/1

NOT EXPORT CONTROLLED