



Switches > Tactile Switches



Actuator Style: **Rectangular**

Operating Function: **Off (On)**

Contact Base Material: **Brass**

Switch Contact Plating Material: **Silver**

Contact Current Rating: **50 mA**

Features

Product Type Features

Illuminated	With
Actuator Style	Rectangular

Configuration Features

Operating Function	Off (On)
Configuration (Pole-Throw)	Single Pole - Single Throw
Number of Actuators	Single

Body Features

Actuator Force	100 g[3.52 oz]
Product Orientation	Vertical
Actuator Color	Brown

Contact Features

Contact Base Material	Brass
Switch Contact Plating Material	Silver
Contact Current Rating	50 mA

Termination Features

Termination Method to Printed Circuit Board	Through Hole - Solder
---	-----------------------

Housing Features

--	--



Process Sealed	No
----------------	----

Usage Conditions

Operating Temperature Range	-25 – 70 °C
-----------------------------	-------------

Product Compliance

[For compliance documentation, visit the product page on TE.com>](#)

EU RoHS Directive 2011/65/EU	Compliant
EU ELV Directive 2000/53/EC	Not Yet Reviewed
China RoHS 2 Directive MIIT Order No 32, 2016	No Restricted Materials Above Threshold
EU REACH Regulation (EC) No. 1907/2006	Current ECHA Candidate List: JUNE 2023 (235) Candidate List Declared Against: JUN 2020 (209) Does not contain REACH SVHC
Halogen Content	Not Yet Reviewed for halogen content
Solder Process Capability	Wave solder capable to 265°C

Product Compliance Disclaimer

This information is provided based on reasonable inquiry of our suppliers and represents our current actual knowledge based on the information they provided. This information is subject to change. The part numbers that TE has identified as EU RoHS compliant have a maximum concentration of 0.1% by weight in homogenous materials for lead, hexavalent chromium, mercury, PBB, PBDE, DBP, BBP, DEHP, DIBP, and 0.01% for cadmium, or qualify for an exemption to these limits as defined in the Annexes of Directive 2011/65/EU (RoHS2). Finished electrical and electronic equipment products will be CE marked as required by Directive 2011/65/EU. Components may not be CE marked. Additionally, the part numbers that TE has identified as EU ELV compliant have a maximum concentration of 0.1% by weight in homogenous materials for lead, hexavalent chromium, and mercury, and 0.01% for cadmium, or qualify for an exemption to these limits as defined in the Annexes of Directive 2000/53/EC (ELV). Regarding the REACH Regulation, the information TE provides on SVHC in articles for this part number is based on the latest European Chemicals Agency (ECHA) 'Guidance on requirements for substances in articles' posted at this URL: <https://echa.europa.eu/guidance-documents/guidance-on-reach>

Compatible Parts



TE Part # 5-2213819-3
6X6 ILL TACT SMT 520GF LI SOFT ORANGE



TE Part # 2-2213819-9
6X6 ILL TACT SMT 160GF HI SOFT ORANGE



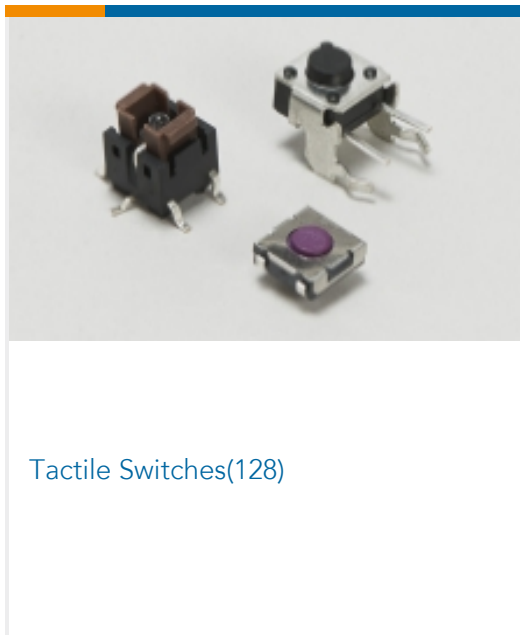
TE Part # 4-2213819-5
6X6 ILL TACT SMT 260GF HI SOFT ORANGE



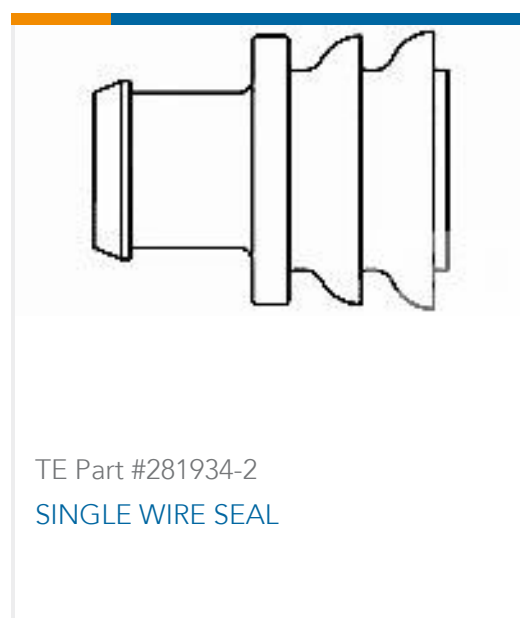
TE Part # 4-2213819-8
6X6 ILL TACT SMT 260GF HI COLD WHITE



Also in the Series | Alcoswitch FSMIJ



Customers Also Bought



Documents

Product Drawings

6X6 ILL TACT THT 100GF LI BLUE

English

CAD Files

3D PDF

3D



Customer View Model

[ENG_CVM_CVM_2213818-1_B.2d_dxf.zip](#)

English

Customer View Model

[ENG_CVM_CVM_2213818-1_B.3d_igs.zip](#)

English

Customer View Model

[ENG_CVM_CVM_2213818-1_B.3d_stp.zip](#)

English

By downloading the CAD file I accept and agree to the [Terms and Conditions](#) of use.

Datasheets & Catalog Pages

[Illuminated Tactile Switch flyer](#)

English