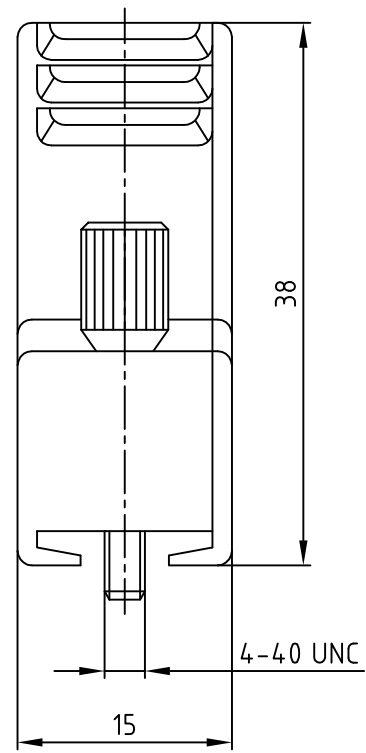
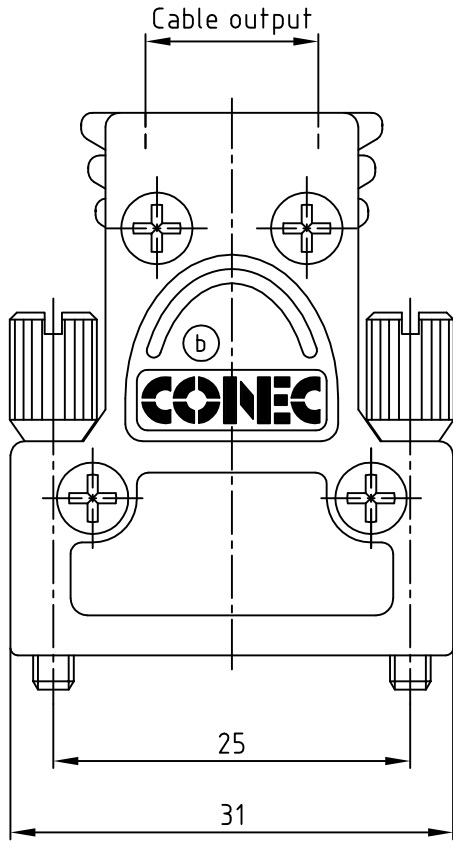
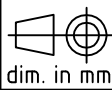



used for: D-SUB



THIS DRAWING MAY NOT BE COPIED OR REPRODUCED IN ANY WAY, AND MAY NOT BE PASSED ON TO A THIRD PARTY WITHOUT WRITTEN PERMISSION. OWNERSHIP AND COPYRIGHT OF CONEC GmbH DO NOT ALTER CAD DRAWING BY HAND

finish:			tolerance			 dim. in mm	
			2003	date	name		
			drawn	17.10.	Lehmenkühler		
			appd.	17.10.	Mickenbecker		
			norm				
			d-old				
1 x b	Ä6677	28.04.2017	Unkrüer				
a	Original						
rev.	description	date	name				

scale: 2:1	
material: HOOD: DIE-CAST ZINC	
title: METAL HOOD 9pos. EMI / RFI SHIELDING with jack screws	
dwg no: AutoCAD	DIN-A
16K1A1027	
4	
sh: 1/1	
part no: 600X51209X	