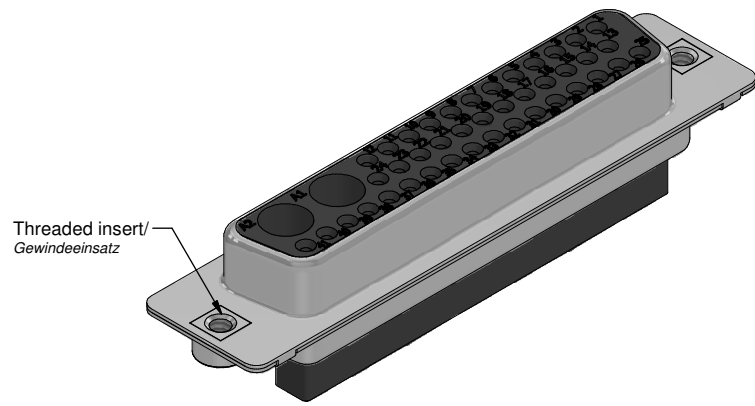




Collar/
Scheibe



Threaded insert/
Gewindeeinsatz

**Technical specification/
Technische Daten:**

Temperature range/
Temperaturbereich: - 55 °C ... + 125 °C

**Materials/
Werkstoffe:**

Insulator/
Isolierkörper: PBT GF UL 94 V-0, black/schwarz

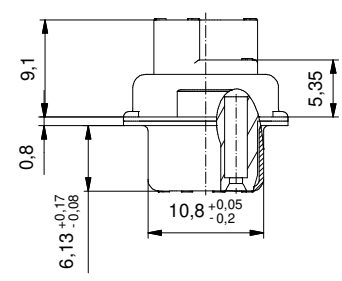
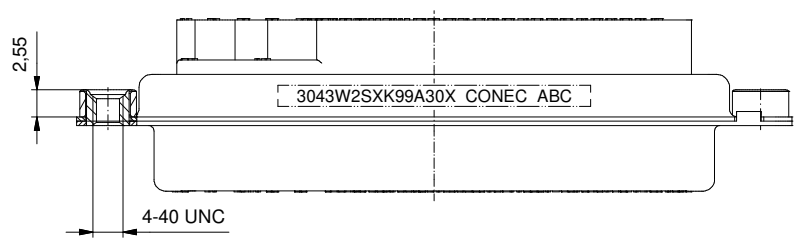
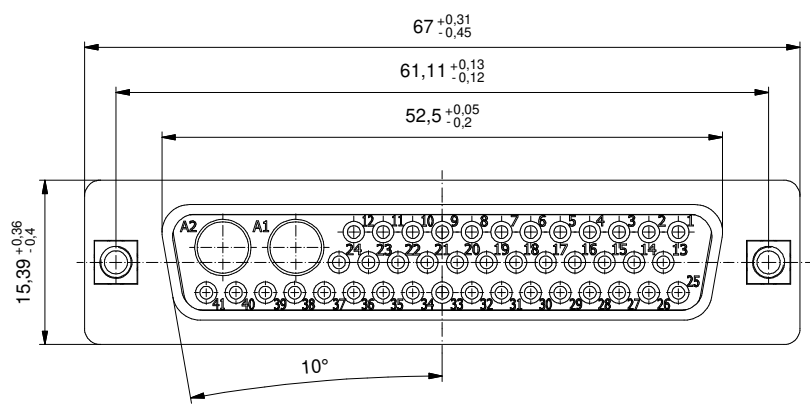
Shell/
Gehäuse: Steel, Sn over Ni

Threaded insert/
Gewindeeinsatz: Cu alloy, Sn over Ni

Collar/
Scheibe: Cu alloy, Sn over Ni

**Installation specification/
Montagedaten:**

Recommended torque
value for thread/
Empfohlenes Drehmoment
für Gewinde: max. 6 in.LB/
max. 67 Ncm



Part no. / Art.-Nr.:	3043W2SXX99A30X	Contact plating / Kontakt Veredelung:	Signal contact Signalkontakt:	Connector will be supplied without signal contacts Steckverbinder wird ohne Signalkontakte geliefert															
			High power contact Hochstromkontakt:	Connector will be supplied without high power contacts Steckverbinder wird ohne Hochstromkontakte geliefert															
Index:	a Original	Scale/Maßstab:	2:1																
	RoHS compliant, exemption 6c/RoHS konform, Ausnahme 6c																		
		dim. in mm		D-SUB Combination Female 43W2S Crimp Style with threaded insert D-SUB Combination Buchsenleiste 43W2S Crimp Style mit Gewindeeinsatz															
		<table border="1"> <tr> <th>drawn/ gez.</th> <th>Date/Datum</th> <th>Name</th> </tr> <tr> <td>11.09.2023</td> <td>11.09.2023</td> <td>Henneboel</td> </tr> <tr> <th>appd./ gepr.</th> <td></td> <td>Bub</td> </tr> </table>	drawn/ gez.	Date/Datum	Name	11.09.2023	11.09.2023	Henneboel	appd./ gepr.		Bub	<table border="1"> <tr> <td>dwg no / Z.-nr.:</td> <td>13K1A2502</td> <td>DIN- A3</td> </tr> <tr> <td></td> <td></td> <td>1 / 1</td> </tr> </table>		dwg no / Z.-nr.:	13K1A2502	DIN- A3			1 / 1
drawn/ gez.	Date/Datum	Name																	
11.09.2023	11.09.2023	Henneboel																	
appd./ gepr.		Bub																	
dwg no / Z.-nr.:	13K1A2502	DIN- A3																	
		1 / 1																	

The reproduction, distribution and utilization of this document as well as the communication of its contents to others without express authorization is prohibited. Offenders will be held liable for the payment of damages. We reserve the right to withdraw advertising and notices, even if they have already appeared in the press, without notice and without compensation.