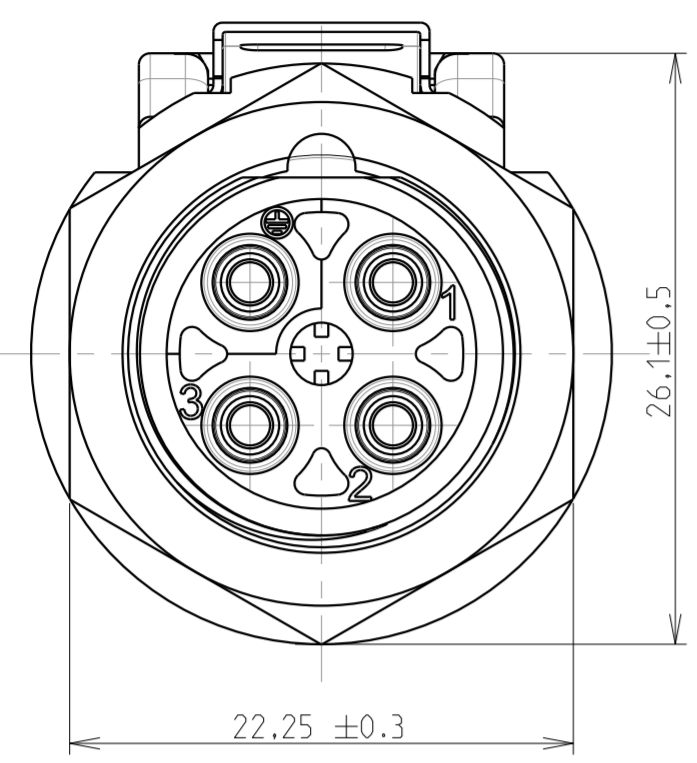
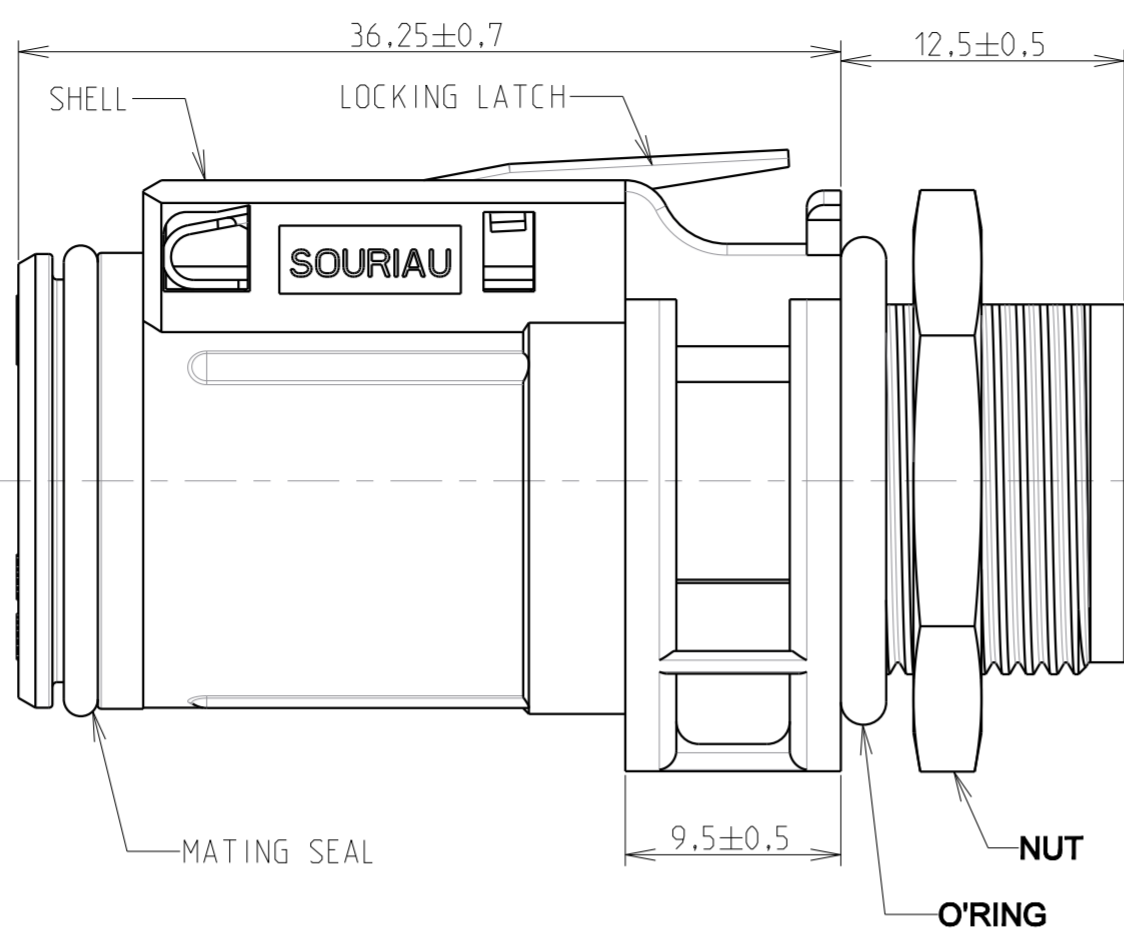
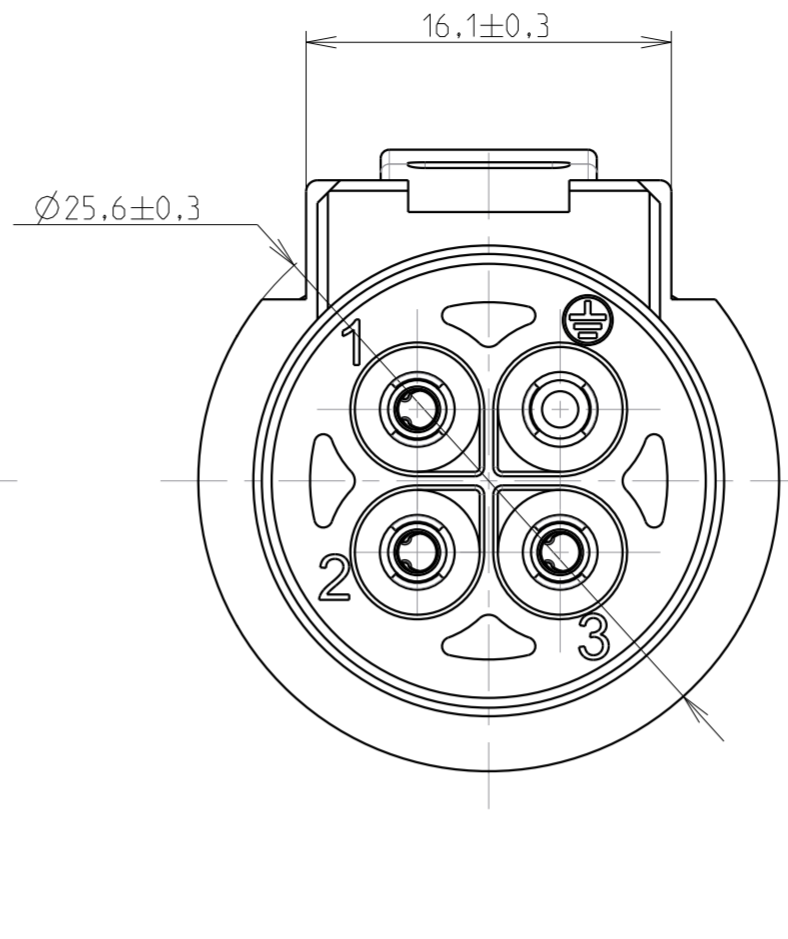


B.5: Validité

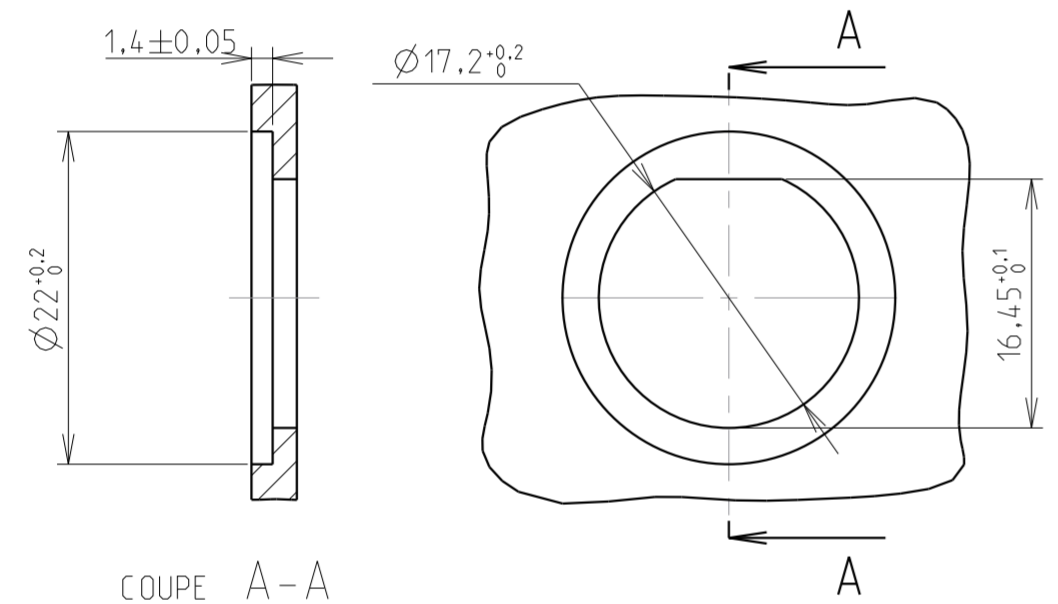
WIRING FACE



MATING FACE

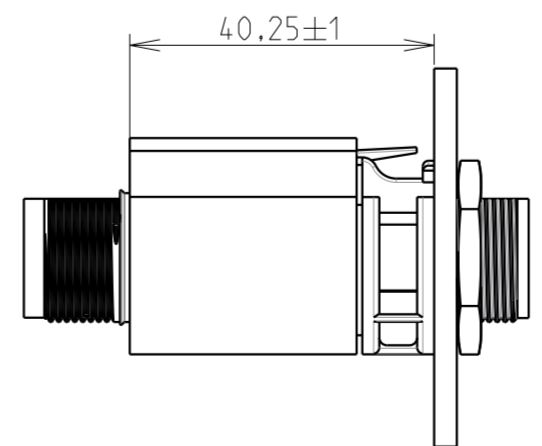


PANEL CUT OUT



ECHELLE 3/1

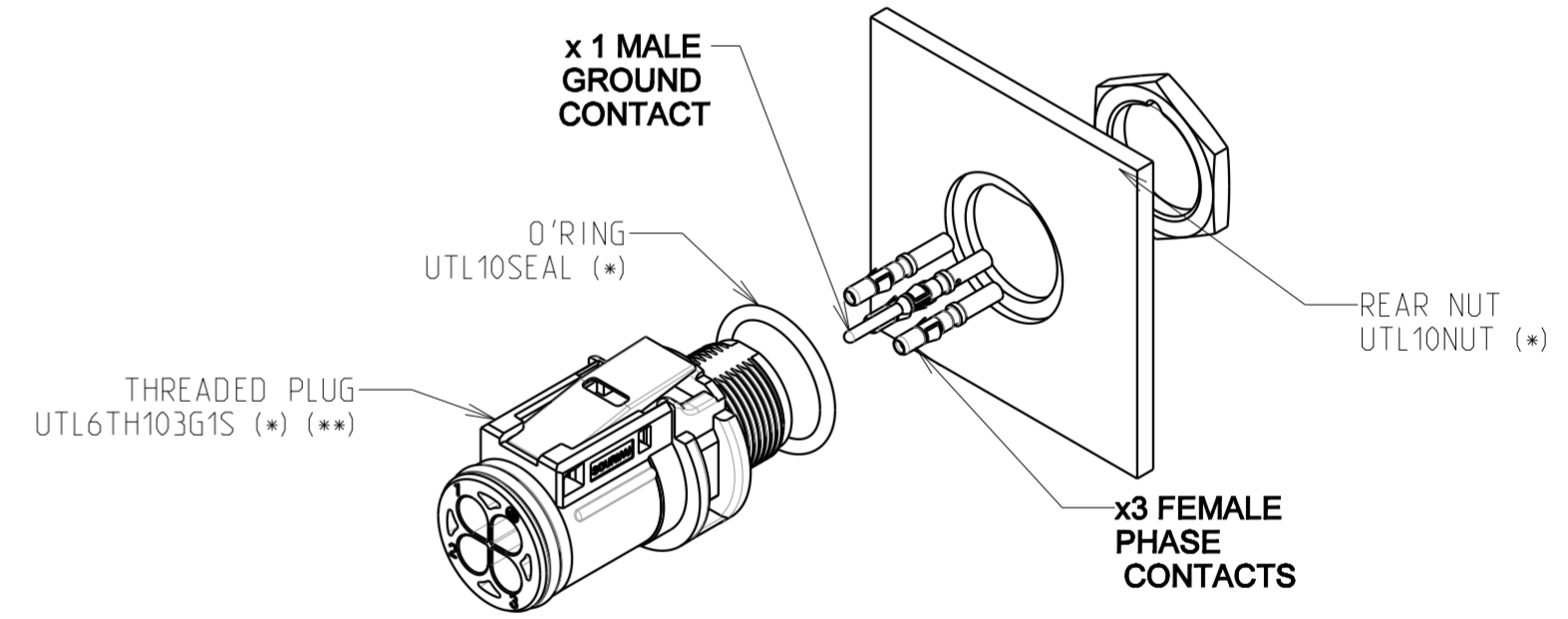
VIEW IN MOUNTED AND MATED CONDITIONS



NOTES

- MATERIALS**
 - SHELL: BLACK POLYAMID
 - O'RING: NBR
 - NUT: BLACK ANODIZED ALUMINIUM ALLOY
 - MATING SEAL: SILICON
 - LOCKING LATCH: STAINLESS STEEL
- PERFORMANCES CHARACTERISTICS**
 - MECHANICAL**
 - TEMPERATURE CLASS: IEC61984/UL1977 -40°C TO 105°C
 - DURABILITY: IEC61984 500 MATE / UNMATE CYCLES
 - SEALING IN MATED CONDITIONS: IEC60529 IP68 1BAR DURING 1WEEK
 - SEALING IN UNMATED CONDITIONS: IEC60529 IP69K
 - OPEN FACE SEALING: IEC60529 IP67 WITH CAPS
 - POLLUTION DEGREE: IEC60529 IP67 WITH R*M25* CONTACTS
 - CORROSION SALT SPRAY: IEC61984 4
 - FLAMMABILITY: UL94 MIN 1000H
 - OUTDOOR SUITABILITY (UV RESIST): UL746C MATERIAL RATING: 5VA
 - SCOOP PROOF: MATERIAL RATING: (F1)
 - ELECTRICAL**
 - TOUCH PROOF: IEC60529 IP2X
 - NOMINAL CURRENT: UL1977 16A WITH AWG14 WIRE / 13A WITH AWG16 WIRE
 - NOMINAL CURRENT: IEC61984 16A WITH 2.5MM² WIRE / 13A WITH 1.5MM² WIRE AT 60°C
 - NOMINAL VOLTAGE: UL1977 600V
 - NOMINAL VOLTAGE: IEC61984 250VAC 4KV 4 FOR CLASS II
 - NOMINAL VOLTAGE: IEC61984 500VAC 6KV 4 FOR CLASS I
 - CONNECTOR BREAKING CAPACITY: UL1977 277V 13A WITH AWG14/16 WIRES
 - CONNECTOR BREAKING CAPACITY: IEC61984 250VAC 13A 4KV 4
- ROHS COMPLIANT**
 - COUNTERPART REFERENCE UTL RECEPTACLE OR FREE HANGING
 - CONNECTORS ARE DELIVERED AS PRE-ASSEMBLED KIT
 - CONNECTOR BLOCKS ACCEPTS TRIM TRIO CONTACTS #16, R*M* OR S*M* TYPES
 - CONTACTS TO BE ORDERED SEPARATELY.
 - WARNING: PHASE CONTACTS ARE FEMALE VERSION AND GROUND CONTACT IS MALE VERSION
 - UNIT IN MM
 - MAX WIRE INSULATOR DIAMETER : Ø3.7mm
 - (*) : OPTIONAL ORDERING PART NUMBERS TO BE ORDERED SEPARATELY
 - (**): FOR x100 pcs BULK PACKAGING ADD SUFFIX B -> UTL6TH103G1SB

MASS ± 5% 20.5 g



Country	Jurisdiction & Control List
FR	NOT LISTED

P/N : UTL5 103G1 S

B	23/02/18	Update	--
ISS	DATE	Latest modification - by:	R.M. MOD N°
Designed by:		R.M. Date: 04/04/17	CUSTOMER DRAWING
TITLE		PANEL PLUG SIZE 10 UTL CONNECTOR	
Scale	1/1	General Linear Tolerances: ± 0.2	NPRDS / PROJECT IC 155105C
SOURIAU		WWW.SOURIAU.COM	
This document is the property of SOURIAU. It must not be reproduced or communicated without permission.			
FORMAT	SOURIAU DRG N° UTL1-0088A-C		SHEET 1 / 1

SOURIAU shall not be liable for any non-conformity or damage due to a use of the Products which does not comply with the Specifications issued by either of the Parties or by a third party (professional recommendation, technical notice.)