



CGS | CGS 3503

TE Internal #: 8-2176526-2

357 Ω, Thin Film, Power Resistor, 1 %, 2 Termination, 1206, Taped & Reeled, 2 W, ±50 ppm/°C, Solder, Height .017 in [.43 mm], CGS 3503

[View on TE.com >](#)

Passive Components > Resistors > Surface Mount Resistors



Resistor Type: **Power Resistor**

Number of Terminations: **2**

Package Size Code: **1206**

Packaging Method: **Taped & Reeled**

Passive Component Tolerance: **1 %**

Features

Product Type Features

| | |
|-------------------|----------------|
| Resistor Type | Power Resistor |
| Package Size Code | 1206 |
| Element Type | Thin Film |

Configuration Features

| | |
|---------------------|---|
| Number of Resistors | 1 |
|---------------------|---|

Electrical Characteristics

| | |
|-----------------------------|-----------|
| Operating Voltage | 100 V |
| Passive Component Tolerance | 1 % |
| Resistance Class | Up to 1kΩ |
| Resistance Value | 357 Ω |
| Power Rating | 2 W |

Termination Features

| | |
|---|--------|
| Number of Terminations | 2 |
| Surface Mount Resistor Termination Type | Solder |



Dimensions

| | |
|----------------|------------------|
| Product Height | .43 mm[.017 in] |
| Product Length | 3.05 mm[.12 in] |
| Product Width | 1.55 mm[.061 in] |

Usage Conditions

| | |
|-----------------------------|----------------------------------|
| Operating Temperature Range | -55 – 155 $^{\circ}\text{C}$ |
| Temperature Coefficient | ± 50 ppm/ $^{\circ}\text{C}$ |

Packaging Features

| | |
|------------------|----------------|
| Packaging Method | Taped & Reeled |
|------------------|----------------|

Product Compliance

[For compliance documentation, visit the product page on TE.com>](#)

| | |
|---|---|
| EU RoHS Directive 2011/65/EU | Compliant |
| EU ELV Directive 2000/53/EC | Compliant |
| China RoHS 2 Directive MIIT Order No 32, 2016 | No Restricted Materials Above Threshold |
| EU REACH Regulation (EC) No. 1907/2006 | Current ECHA Candidate List: JUNE 2023 (235) Candidate List Declared Against: JUNE 2023 (235) Does not contain REACH SVHC |
| Halogen Content | BFR/CFR/PVC Free, but Br/Cl >900 ppm in other sources. |
| Solder Process Capability | Reflow solder capable to 260 $^{\circ}\text{C}$ |

Product Compliance Disclaimer

This information is provided based on reasonable inquiry of our suppliers and represents our current actual knowledge based on the information they provided. This information is subject to change. The part numbers that TE has identified as EU RoHS compliant have a maximum concentration of 0.1% by weight in homogenous materials for lead, hexavalent chromium, mercury, PBB, PBDE, DBP, BBP, DEHP, DIBP, and 0.01% for cadmium, or qualify for an exemption to these limits as defined in the Annexes of Directive 2011/65/EU (RoHS2). Finished electrical and electronic equipment products will be CE marked as required by Directive 2011/65/EU. Components may not be CE marked. Additionally, the part numbers that TE has identified as EU ELV compliant have a maximum concentration of 0.1% by weight in homogenous materials for lead, hexavalent chromium, and mercury, and 0.01% for cadmium, or qualify for an exemption to these limits as defined in the Annexes of Directive 2000/53/EC (ELV). Regarding the REACH Regulation, the information TE provides on SVHC in articles for this part number is based on the latest European Chemicals Agency (ECHA) 'Guidance on requirements for substances in articles' posted at this URL: <https://echa.europa.eu/guidance-documents/guidance-on-reach>

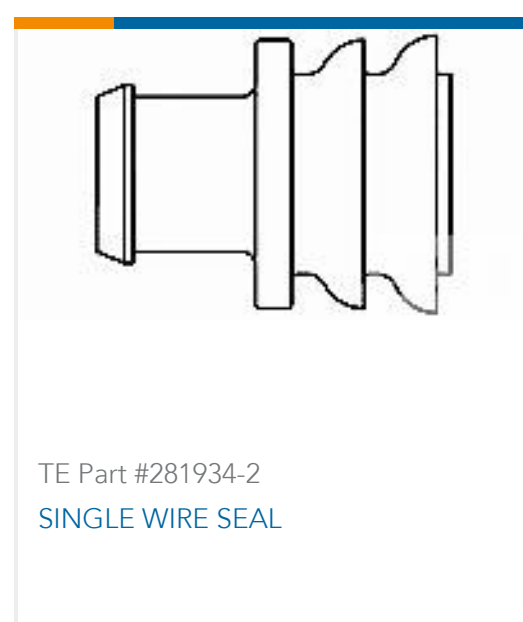
Compatible Parts



Also in the Series | CGS 3503



Customers Also Bought



Documents

[Product Drawings](#)
[3503G 2B 357R 1% 5K RL](#)

English

[CAD Files](#)
[Customer View Model](#)
[ENG_CVM_CVM_8-2176526-2_A.3d_igs.zip](#)



English

Customer View Model

[ENG_CVM_CVM_8-2176526-2_A.3d_stp.zip](#)

English

Customer View Model

[ENG_CVM_CVM_8-2176526-2_A.2d_dxf.zip](#)

English

3D PDF

3D

By downloading the CAD file I accept and agree to the [Terms and Conditions](#) of use.

Datasheets & Catalog Pages

[Aluminium Nitride Thin Film Power Resistor - Type 3503 Series](#)

English