



Alcoswitch | Alcoswitch LPT

TE Internal #: 2337238-4

Tactile Switches, Round Actuator Style, NO, Stainless Steel, Silver, Low Profile, 50mA Contact Current Rating, Alcoswitch LPT

[View on TE.com >](#)

Switches > Tactile Switches



Actuator Style: **Round**

Operating Function: **NO**

Contact Base Material: **Stainless Steel**

Switch Contact Plating Material: **Silver**

Low Profile: **Yes**

Features

Product Type Features

Switch Connection Type	Printed Circuit Board
Leg Style	Gull Wing
Illuminated	Without
Actuator Style	Round

Configuration Features

ESD Grounding Terminal	With
Ganged	Without
Switch Feedback Type	Tactile
Operating Function	NO
Configuration (Pole-Throw)	Single Pole - Single Throw
Number of Actuators	Single

Electrical Characteristics

Operating Voltage	12 VDC
-------------------	--------

Body Features

--	--



Cover Material	Nickel, Silver
Actuator Force	260 g[9.17 oz]
Case Material	Thermoplastic
Actuator Profile	Extended
Actuator Material	Thermoplastic
Case Color	Black
Product Orientation	Vertical
Actuator Color	White

Contact Features

Contact Base Material	Stainless Steel
Switch Contact Plating Material	Silver
Contact Current Rating	50 mA

Termination Features

Termination Method to Printed Circuit Board	Surface Mount
---	---------------

Housing Features

Low Profile	Yes
Process Sealed	No

Dimensions

Product Height	2 mm[.079 in]
----------------	---------------

Usage Conditions

Operating Temperature Range	-25 – 70 °C
-----------------------------	-------------

Packaging Features

Packaging Method	Tape & Reel
------------------	-------------

Product Compliance

[For compliance documentation, visit the product page on TE.com>](#)

EU RoHS Directive 2011/65/EU	Compliant
EU ELV Directive 2000/53/EC	Compliant
China RoHS 2 Directive MIIT Order No 32, 2016	No Restricted Materials Above Threshold
EU REACH Regulation (EC) No. 1907/2006	Current ECHA Candidate List: JUNE 2023 (235) Candidate List Declared Against: JUNE 2023 (235)

Does not contain REACH SVHC

Halogen Content

Low Halogen - Br, Cl, F, I < 900 ppm per homogenous material. Also BFR/CFR/PVC Free

Solder Process Capability

Not reviewed for solder process capability

Product Compliance Disclaimer

This information is provided based on reasonable inquiry of our suppliers and represents our current actual knowledge based on the information they provided. This information is subject to change. The part numbers that TE has identified as EU RoHS compliant have a maximum concentration of 0.1% by weight in homogenous materials for lead, hexavalent chromium, mercury, PBB, PBDE, DBP, BBP, DEHP, DIBP, and 0.01% for cadmium, or qualify for an exemption to these limits as defined in the Annexes of Directive 2011/65/EU (RoHS2). Finished electrical and electronic equipment products will be CE marked as required by Directive 2011/65/EU. Components may not be CE marked. Additionally, the part numbers that TE has identified as EU ELV compliant have a maximum concentration of 0.1% by weight in homogenous materials for lead, hexavalent chromium, and mercury, and 0.01% for cadmium, or qualify for an exemption to these limits as defined in the Annexes of Directive 2000/53/EC (ELV). Regarding the REACH Regulation, the information TE provides on SVHC in articles for this part number is based on the latest European Chemicals Agency (ECHA) 'Guidance on requirements for substances in articles' posted at this URL: <https://echa.europa.eu/guidance-documents/guidance-on-reach>

Compatible Parts

Also in the Series | [Alcoswitch LPT](#)



Tactile Switches(52)

Customers Also Bought



TE Part #5-1676966-3
SMW2 15R 5%



TE Part #1622828-1
CRG0603 1% 100R



TE Part #1-2176090-5
RP 1J 0.166W 182K 0.1% 25PPM 1K RL



TE Part #4-2176326-6
CRGP 0603 56K 1%



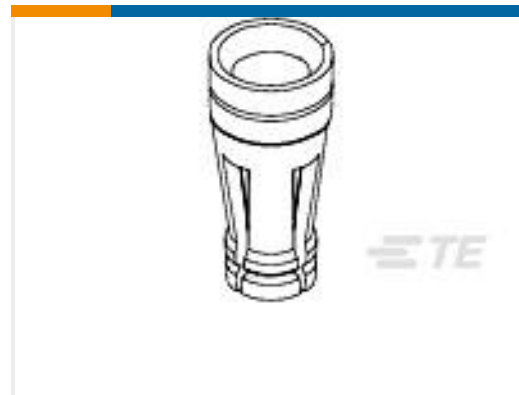
TE Part #2337238-2
TACT MINI GW 5.2X5.2X2 100GF



TE Part #1462042-8
IMC03GR=IM RELAY 140mW 5V 1CO



TE Part #YDTS20F11-35SNV001
RECP ASSY



TE Part #9-1437514-0
8134-HC-5P3LF=PB FREE HOLTITE



TE Part #1532203-1
M83513/02-CN, MCKS-N1-B-21SS

Documents

Product Drawings

[TACT MINI GW 5.2X5.2X2 260GF](#)

English

CAD Files

[Customer View Model](#)

[ENG_CVM_CVM_2337238-4_B.3d_igs.zip](#)

English

[Customer View Model](#)



[ENG_CVM_CVM_2337238-4_B.3d_stp.zip](#)

English

Customer View Model

[ENG_CVM_CVM_2337238-4_B.2d_dxf.zip](#)

English

3D PDF

3D

By downloading the CAD file I accept and agree to the [Terms and Conditions](#) of use.

Datasheets & Catalog Pages

[MSLPT Family-Low-profile Tactile Switches](#)

English