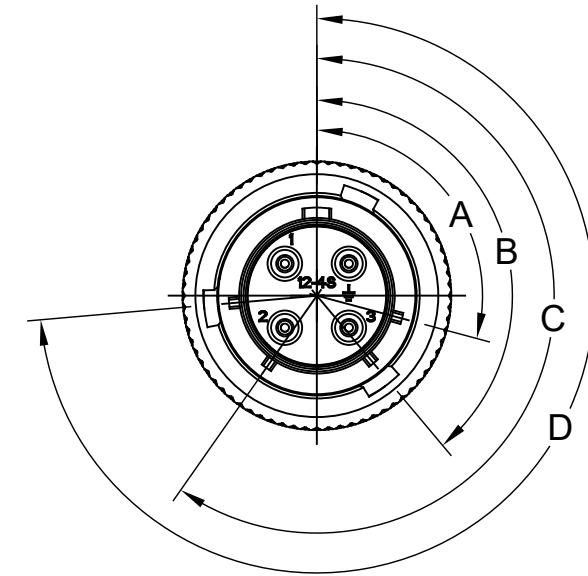
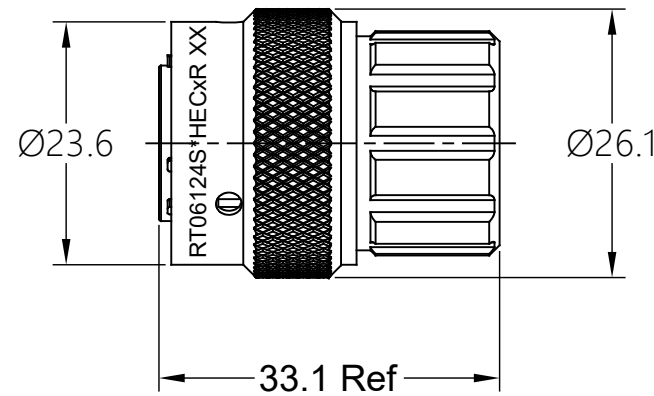
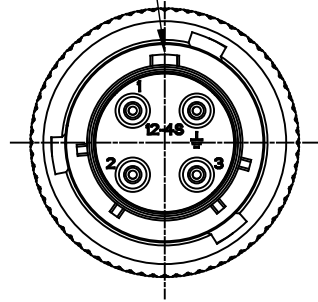


REVISIONS					
REV	ECO	DESCRIPTION	DATE	BY	APPR
A1	-	RELEASED DRAWING	Jun-3-19	Blink	Tommy
A2	-	UPDATE DESCRIPTION AND ADD KEY ICON	Oct-12-20	Blink	Tommy

MASTER KEYWAY



NOTES: (UNLESS OTHERWISE SPECIFIED)

1. MATERIAL:

- SHELL: ZINC ALLOY, NICKEL PLATED.
- INSERT: THERMOPLASTIC, UL94 V-0.
- END CAP: THERMOPLASTIC, UL94 V-0.
- COUPLING NUT: AL ALLOY, NICKEL PLATED.
- WAVE WASHER: STAINLESS STEEL.
- PLASTIC BUSHING: THERMOPLASTIC, UL94 V-0.
- O-RING: NBR/SILICONE RUBBER.
- WIRE SEAL: SILICONE RUBBER.

2. SPECIFICATIONS:

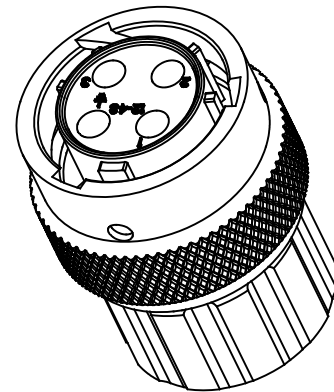
- 2.1 RATED CURRENT: 13A (MAX).
- 2.2 RATED VOLTAGE: 500V (AC/DC).
- 2.3 OPERATING TEMPERATURE: SEE CHART.
- 2.4 DIELECTRIC WITHSTANDING VOLTAGE: LESS THAN 2 MILLIAMPS CURRENT LEAKAGE@2000 VOLTS AC.
- 2.5 INSULATION RESISTANCE: 5000 MEGOHMS MIN.
- 2.6 IP--CLASS: IP67.
- 2.7 MATING CYCLES DURABILITY: 500 CYCLES(MIN).
- 2.8 RoHS COMPLIANT.

3. SUITABLE CONTACTS : 16# CONTACTS.

4. ALL DIMENSIONS ARE FOR REFERENCE USE ONLY.

5. CONTACT SIZE AND REAR SEAL WIRE RANGE:

Contact Size	Insulation Overall Diameter(min-max)	Wire Range
16#	Ø1.2mm - Ø2.1mm	14 - 24AWG



KEY POS	PART NUMBER		A	B	C	D
	-40°C ~ 105°C	-40°C ~ 125°C				
N	RT06124SNHECR	RT06124SNHEC03R	105°	140°	215°	265°
W	RT06124SWHECR	RT06124SWHEC03R	60°	140°	215°	265°
X	RT06124SXHECR	RT06124SXHEC03R	105°	155°	215°	265°
Y	RT06124SYHECR	RT06124SYHEC03R	105°	140°	225°	265°
Z	RT06124SZHECR	RT06124SZHEC03R	105°	140°	215°	295°

SEE PART NUMBER		CHART		QUANTITY	PART NUMBER	DESCRIPTION	ITEM
<b>MATERIALS LIST</b>							
UNLESS OTHERWISE SPECIFIED 1) All dimensions are in metric(mm). 2) Tolerances are as follows: 1 PL DEC ±0.30 2 PL DEC ±0.15 3 PL DEC ±0.08 Fractions ±1/64 Angles ±1° 3) Note reference =		SIGNATURES		DATE		<b>Amphenol</b> Sine Systems - www.amphenol-sine.com 44724 Morley Drive Clinton Township, MI 48036	
MATERIAL SPECIFICATIONS:		DRAWN: Blink		Oct-12-20			
		CHECKED: Flan		Oct-14-20			
		ENGINEER:					
PROCESS SPECIFICATIONS:		APPROVAL: Tommy		Oct-16-20		ECO-MATE RM,PLUG, SIZE 12,4POS, SOCKET,END CAP,REDUCED WIRE SEALS	
		CUSTOMER:					
NEXT ASSY:		THIS DRAWING IS SUPPLIED FOR INFORMATION ONLY. DESIGN FEATURES, SPECIFICATIONS AND PERFORMANCE DATA SHOWN HEREON ARE THE PROPERTY OF THE AMPHENOL CORPORATION. NO RIGHTS OF REPRODUCTION ARE IMPLIED. ALL DIMENSIONS ARE SUBJECT TO NORMAL MANUFACTURING VARIATIONS.		SIZE	TYPE	DWG NO.	REVISION
				B	C-	RT06124S*HECxxR	A2
				SCALE: NONE			SHEET 1 OF 1

TTL ECO-MATE RM,PLUG,SIZE 12,4POS,SOCKET,END CAP,REDUCED WIRE SEALS  
DWG NO.: RT06124S\*HECxxR  
REV: A2  
SH: 1  
OF: 1