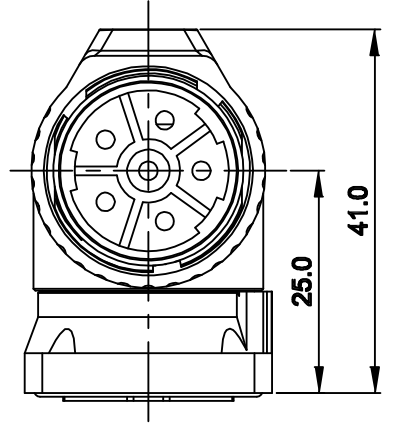
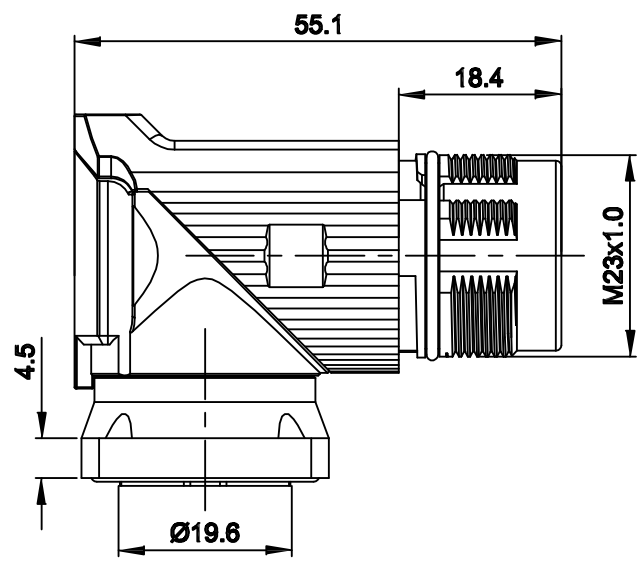
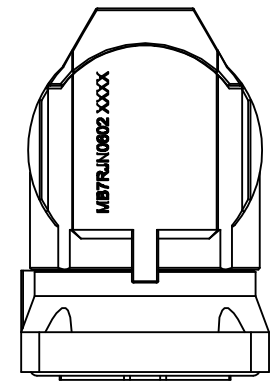
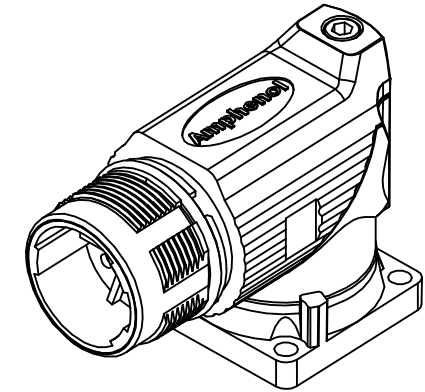
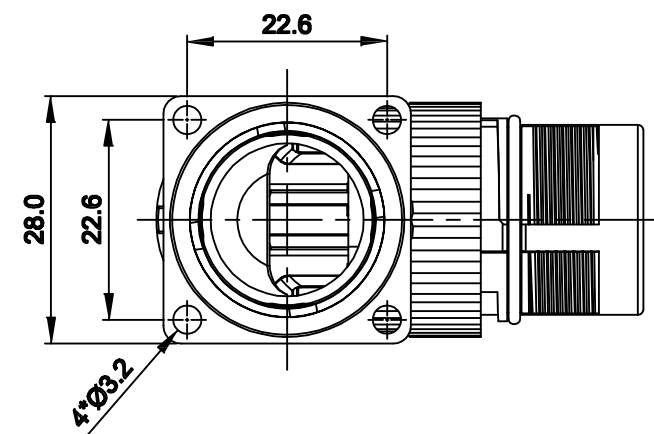
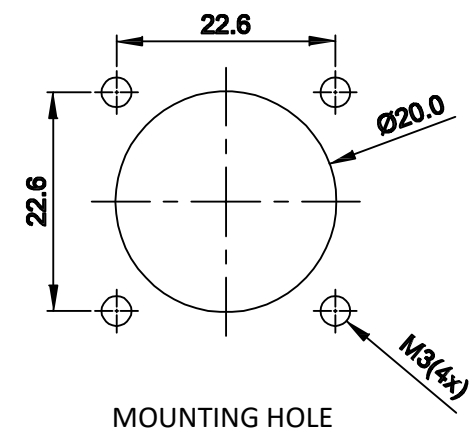


| REVISIONS | | | | | |
|-----------|-----|-----------------|-------------|-------|-------|
| REV | ECO | DESCRIPTION | DATE | BY | APPR |
| A1 | - | FIRST RELEASE | Sep.15,2015 | Drack | Tommy |
| A2 | - | Updated Drawing | Jun.16,2017 | White | Tommy |



NOTES: UNLESS OTHERWISE SPECIFIED

- MATERIAL:
INSULATION INSERT: PA66,UL94 V0
SEAL: VITON
HOUSING BODY: ZINC DIE CAST, NICKEL PLATED
- SPECIFICATIONS
2.1 CURRENT RATING: 28 AMPS
2.2 VOLTAGE RATING: 630 V AC/DC
2.3 OPERATING TEMPERATURE: -20C TO +130C
2.4 DIELECTRIC WITHSTANDING VOLTAGE: LESS THAN 2 MILLIAMPS CURRENT LEAKAGE @ 6000 VOLTS AC.
2.5 DEGREE OF PROTECTION: IP67 (MATED CONDITION)
2.6 DEGREE OF POLLUTION: 3 PER UL840
2.7 OVERVOLTAGE CATEGORY: III PER UL840
2.8 MATING CYCLE DURABILITY: >500 CYCLES
2.9 RoHS COMPLIANT
- ALL DIMENSIONS ARE FOR REFERENCE USE ONLY.



| QUANTITY | SEE PART NUMBER CHART | DESCRIPTION | ITEM | | | | | | | | | | | | |
|---|-----------------------|--|---|------|------|---------|----------|---|----|------------|----|-------------|--|--------------|--|
| | | M23B,REC.,RA,6POS,FLANGE MOUNT | | | | | | | | | | | | | |
| MATERIALS LIST | | | | | | | | | | | | | | | |
| UNLESS OTHERWISE SPECIFIED 1) All dimensions are in metric(mm). 2) Tolerances are as follows: 1 PL DEC ±0.30 2 PL DEC ±0.15 3 PL DEC ±0.08 3) Note reference = \triangle X | | SIGNATURES DRAWN: White CHECKED: Tod ENGINEER: APPROVAL: Tommy DATE Jun.16.2017 Jun.16.2017 Jun.16.2017 | <div style="text-align: center;"> <h1>Amphenol</h1> <p>Sine Systems - www.amphenol-sine.com 44724 Morley Drive Clinton Township, MI 48036</p> </div> | | | | | | | | | | | | |
| MATERIAL SPECIFICATIONS: PROCESS SPECIFICATIONS: NEXT ASSY: | | CUSTOMER: THIS DRAWING IS SUPPLIED FOR INFORMATION ONLY. DESIGN FEATURES, SPECIFICATIONS AND PERFORMANCE DATA SHOWN HEREON ARE THE PROPERTY OF THE AMPHENOL CORPORATION. NO RIGHTS OF REPRODUCTION ARE IMPLIED. ALL DIMENSIONS ARE SUBJECT TO NORMAL MANUFACTURING VARIATIONS. | <table border="1"> <tr> <td>SIZE</td> <td>TYPE</td> <td>DWG NO.</td> <td>REVISION</td> </tr> <tr> <td>B</td> <td>C-</td> <td>MB7RJN0602</td> <td>A2</td> </tr> <tr> <td colspan="2">SCALE: NONE</td> <td colspan="2">SHEET 1 OF 1</td> </tr> </table> | SIZE | TYPE | DWG NO. | REVISION | B | C- | MB7RJN0602 | A2 | SCALE: NONE | | SHEET 1 OF 1 | |
| SIZE | TYPE | DWG NO. | REVISION | | | | | | | | | | | | |
| B | C- | MB7RJN0602 | A2 | | | | | | | | | | | | |
| SCALE: NONE | | SHEET 1 OF 1 | | | | | | | | | | | | | |

TITLE: M23B,REC.,RA,6POS,FLANGE MOUNT DWG NO: MB7RJN0602 REV: A2 SH: 1 OF: 1