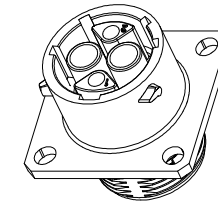
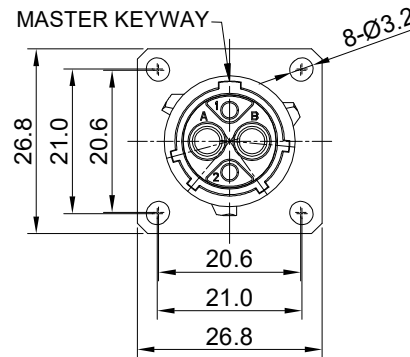
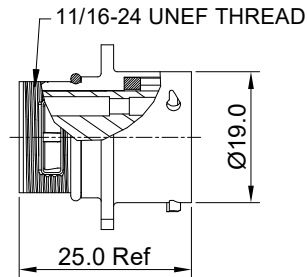


REVISIONS					
REV	ECO	DESCRIPTION	DATE	BY	APPR
B1	-	RELEASED DRAWING	AUG-16-2014	BEN	TOMMY
B2	-	UPDATE RATED VOLTAGE	OCT-28-2022	JUN	TOMMY



NOTES: (UNLESS OTHERWISE SPECIFIED)

1. MATERIAL:

SHELL: ZINC ALLOY, NICKEL PLATED.  
 INSERT: THERMOPLASTIC, UL94 V-0.  
 SEAL GASKET: NBR/SILICONE RUBBER.  
 O-RING: NBR/SILICONE RUBBER.

2. SPECIFICATIONS:

2.1 RATED CURRENT:

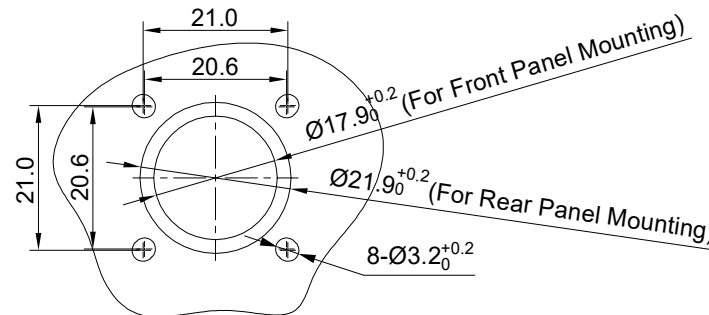
- 2.1.1 2.5mm CONTACT 23A (MAX) .
- 2.1.2 20# CONTACT 5A (MAX).

(B2) 2.2 RATED VOLTAGE: 500V (AC/DC) .

- 2.3 OPERATING TEMPERATURE: SEE CHART.
- 2.4 DIELECTRIC WITHSTANDING VOLTAGE: LESS THAN 2 MILLIAMPS CURRENT LEAKAGE@2000 VOLTS AC.
- 2.5 INSULATION RESISTANCE: 5000 MEGOHMS MIN.
- 2.6 IP-CLASS: IP67.
- 2.7 MATING CYCLES DURABILITY: 500 CYCLES MIN.
- 2.8 ROHS COMPLIANT.

3. SUITABLE CONTACTS : 2.5mm & 20# CONTACTS.

4. ALL DIMENSIONS ARE FOR REFERENCE USE ONLY.



PANEL CUT OUT REFERENCE

KEY POS	PART NUMBER	
	-40°C ~ 105°C	-40°C ~ 125°C
N	RT00122SNH	RT00122SNH03
W	RT00122SWH	RT00122SWH03
X	RT00122SXH	RT00122SXH03
Y	RT00122SYH	RT00122SYH03
Z	RT00122SZH	RT00122SZH03

CONTACT SIZE	MIN. INSUL O.D.	MAX. INSUL O.D.	WIRE RANGE
2.5mm	Ø3.3mm	Ø4.3mm	12 - 14AWG
20#	Ø1.6mm	Ø2.6mm	20 - 30AWG

QUANTITY	SEE PART NUMBER CHART	DESCRIPTION	ITEM
<b>MATERIALS LIST</b>			
UNLESS OTHERWISE SPECIFIED		SIGNATURES      DATE	
1) All dimensions are in metric(mm).		DRAWN: JUN	OCT-28-2022
2) Tolerances are as follows:		CHECKED: ORION	NOV-3-2022
1 PL DEC ±0.30		ENGINEER:	
2 PL DEC ±0.15		APPROVAL: TOMMY	NOV-7-2022
3 PL DEC ±0.08		CUSTOMER:	
3) Note reference =		THIS DRAWING IS SUPPLIED FOR INFORMATION ONLY. DESIGN FEATURES, SPECIFICATIONS AND PERFORMANCE DATA SHOWN HEREON ARE THE PROPERTY OF THE AMPHENOL CORPORATION. NO RIGHTS OF REPRODUCTION ARE IMPLIED. ALL DIMENSIONS ARE SUBJECT TO NORMAL MANUFACTURING VARIATIONS.	
MATERIAL SPECIFICATIONS:		<p style="text-align: center;"><b>Amphenol</b></p> <p>Sine Systems - www.amphenol-sine.com            44724 Morley Drive            Clinton Township, MI 48036</p> <p style="text-align: center;">EcoMate Aquarius, RECEPTACLE,            SIZE 12,2POS, SOCKET.</p>	
PROCESS SPECIFICATIONS:			
NEXT ASSY:		SIZE: B    TYPE: C-    DWG NO: RT00122S*H*    REVISION: B2	
		SCALE: NONE      SHEET 1 OF 1	

TITLE: EcoMate Aquarius, RECEPTACLE, SIZE 12,2POS, SOCKET.      DWG NO.: RT00122S\*H\*      REV: B2      SH: 1      OF: 1