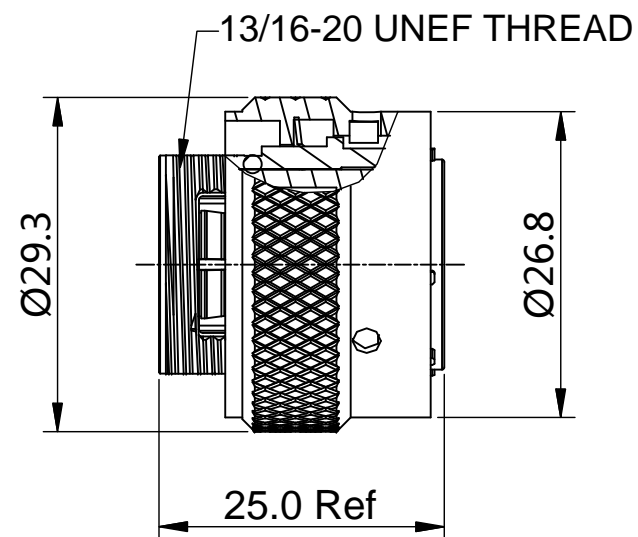
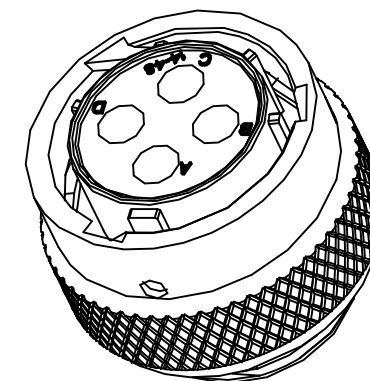
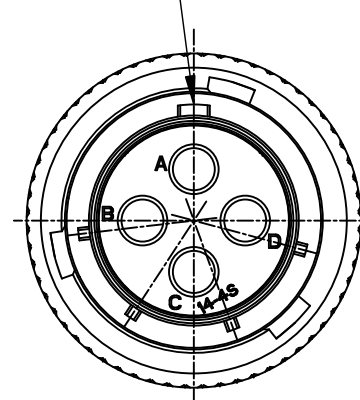


REVISIONS					
REV	ECO	DESCRIPTION	DATE	BY	APPR
B1	-	RELEASED DRAWING	Nov-23-2014	Ben	Tommy



MASTER KEYWAY



NOTES : (UNLESS OTHERWISE SPECIFIED)

- MATERIAL :
SHELL : ZINC ALLOY , NICKEL PLATED.
INSERT : THERMOPLASTIC , UL94 V-0.
COUPLING NUT : AL ALLOY, NICKEL PLATED.
O-RING : NBR/SILICONE RUBBER.
WAVE WASHER : STAINLESS STEEL.
- SPECIFICATIONS :
2.1 RATED CURRENT : 23A (MAX).
2.2 RATED VOLTAGE : 350V (AC/DC).
2.3 OPERATING TEMPERATURE : SEE CHART.
2.4 DIELECTRIC WITHSTANDING VOLTAGE : LESS THAN 2 MILLIAMPS CURRENT LEAKAGE@2000 VOLTS AC.
2.5 INSULATION RESISTANCE : 5000 MEGOHMS MIN.
2.6 IP--CLASS : IP67.
2.7 MATING CYCLES DURABILITY : 500 CYCLES MIN.
2.8 ROHS COMPLIANT.
- SUITABLE CONTACTS : 2.5mm CONTACTS.
- ALL DIMENSIONS ARE FOR REFERENCE USE ONLY.

KEY POS	PART NUMBER	
	-40°C ~ 105°C	-40°C ~ 125°C
N	RT06144SNH	RT06144SNH03
W	RT06144SWH	RT06144SWH03
X	RT06144SXH	RT06144SXH03
Y	RT06144SYH	RT06144SYH03
Z	RT06144SZH	RT06144SZH03

QUANTITY	SEE PART NUMBER CHART PART NUMBER	DESCRIPTION	ITEM
MATERIALS LIST			
UNLESS OTHERWISE SPECIFIED 1) All dimensions are in metric(mm). 2) Tolerances are as follows: 1 PL DEC ±0.30 2 PL DEC ±0.15 3 PL DEC ±0.08 Fractions ±1/64 Angles ±1° 3) Note reference =		SIGNATURES DRAWN: Ben CHECKED: ENGINEER: APPROVAL:	DATE Nov-23-2014
MATERIAL SPECIFICATIONS:		Amphenol Sine Systems - www.amphenol-sine.com 44724 Morley Drive Clinton Township, MI 48036	
PROCESS SPECIFICATIONS:		ECO-MATE, PLUG, SIZE 14,4POS, SOCKET.	
NEXT ASSY:		THIS DRAWING IS SUPPLIED FOR INFORMATION ONLY. DESIGN FEATURES, SPECIFICATIONS AND PERFORMANCE DATA SHOWN HEREON ARE THE PROPERTY OF THE AMPHENOL CORPORATION. NO RIGHTS OF REPRODUCTION ARE IMPLIED. ALL DIMENSIONS ARE SUBJECT TO NORMAL MANUFACTURING VARIATIONS.	REVISION B1
SCALE: NONE		SIZE TYPE B C-	DWG NO: RT06144S*H*
		SHEET 1 OF 1	

TITLE: ECO-MATE, PLUG, SIZE 14,4POS, SOCKET.

DWG NO:

RT06144S*H*

REV: B1

SH: 1

OF: 1

ecomate® RM/RSSM/Aquarius™ - Contact Size 12 Options

Machined, Crimp Contacts				
Part Number		Contact Size (AWG)	Wire Range (mm²)	Plating
Male	Female			
MP12B23T	MS12B23T	14-12AWG	2.3-3.5mm²	Tin
MP12B23S	MS12B23S	14-12AWG	2.3-3.5mm²	Silver
MP12B23F	MS12B23F	14-12AWG	2.3-3.5mm²	Gold Flash
MP12B23G5	MS12B23G5	14-12AWG	2.3-3.5mm²	Gold 5µ"
MP12B23G10	MS12B23G10	14-12AWG	2.3-3.5mm²	Gold 10µ"
MP12B23G15	MS12B23G15	14-12AWG	2.3-3.5mm²	Gold 15µ"
MP12B23G30	MS12B23G30	14-12AWG	2.3-3.5mm²	Gold 30µ"

Machined, Tooling	
Part Number	Description
QXRT12S	Contact Extraction Tool, 2.5mm contact
UH2-5	Universal Locator, Fits AF8 and WA27F
AF8	Hand Crimper
WA27F	Pneumatic Crimper

Plating Options, All	
Symbol	Plating
T	Tin Plated
S	Silver Plated
F	Gold Flash
G5	Gold 5µ" (Thickness 5µ")
G10	Gold 10µ" (Thickness 10µ")
G15	Gold 15µ" (Thickness 15µ")
G30	Gold 30µ" (Thickness 30µ")

Stamped & Formed, Crimp Contacts				
Part Number		Contact Size (AWG)	Wire Range (mm²)	Plating
Male	Female			
SP12A1T	SS12A1T	14-12AWG	2.5-3.5mm²	Tin

Stamped & Formed, Tooling	
Part Number	Description
QXRT12S	Contact Extraction Tool, 2.5mm Contact
MFX-3962	Hand Tool, Stamped & Formed Contact, 2.5mm Contact

Misc Tooling, All	
Part Number	Description
CA-4012-59	Sealing Plug, Size 12

Standard Quantity Order Options	
Machined	Bag, 500 Pieces
Stamped & Formed	Reel, 1000 Pieces