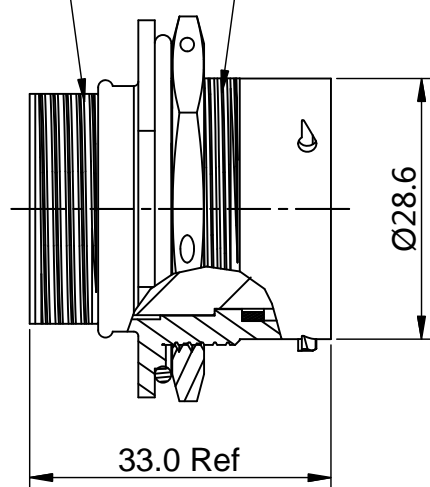
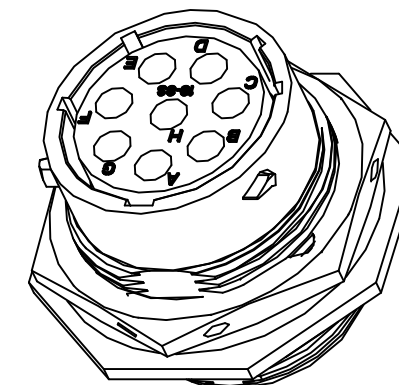
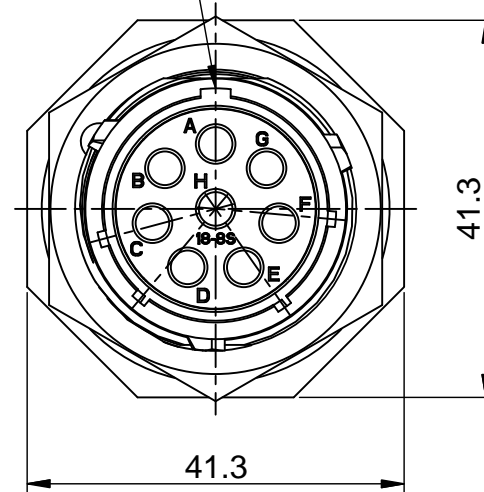


| REVISIONS | | | | | |
|-----------|-----|------------------|-------------|-----|-------|
| REV | ECO | DESCRIPTION | DATE | BY | APPR |
| B1 | - | RELEASED DRAWING | JUN-27-2014 | BEN | TOMMY |

1" 1/16-18 UNEF THREAD 1" 1/4-18 UNEF THREAD

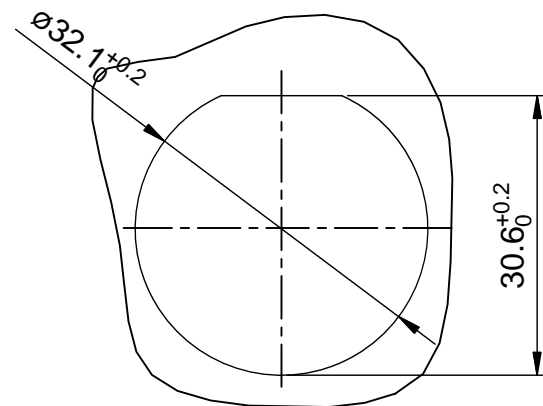


MASTER KEYWAY



NOTES : (UNLESS OTHERWISE SPECIFIED)

- MATERIAL :
SHELL : ZINC ALLOY , NICKEL PLATED.
INSERT : THERMOPLASTIC , UL94 V-0.
NUTS : AL ALLOY , NICKEL PLATED.
O-RING : NBR.
SEAL GASKET : NBR.
- SPECIFICATIONS :
2.1 RATED CURRENT : 23A (MAX).
2.2 RATED VOLTAGE : 375V(AC/DC).
2.3 OPERATING TEMPERATURE : -40°C ~ +105°C.
2.4 DIELECTRIC WITHSTANDING VOLTAGE : LESS THAN 2 MILLIAMPS CURRENT LEAKAGE@2000 VOLTS AC.
2.5 INSULATION RESISTANCE : 5000 MEGOHMS MIN.
2.6 IP--CLASS : IP67.
2.7 MATING CYCLES DURABILITY : 500 CYCLES MIN.
2.8 ROHS COMPLIANT.
- SUITABLE CONTACTS : 2.5mm CONTACTS.
- ALL DIMENSIONS ARE FOR REFERENCE USE ONLY.



PANEL CUT OUT REFERENCE

| KEY POS | PART NUMBER |
|---------|-------------|
| N | RT07188SNH |
| W | RT07188SWH |
| X | RT07188SXH |
| Y | RT07188SYH |
| Z | RT07188SZH |

| QUANTITY | SEE PART NUMBER CHART PART NUMBER | DESCRIPTION | ITEM |
|---|---|--|---|
| MATERIALS LIST | | | |
| <small>UNLESS OTHERWISE SPECIFIED</small> 1) All dimensions are in metric(mm). 2) Tolerances are as follows: 1 PL DEC ±0.30 Fractions ±1/64 2 PL DEC ±0.15 Angles ±1° 3 PL DEC ±0.08 3) Note reference = | | SIGNATURES DATE DRAWN: BEN JUN-27-2014 CHECKED: ENGINEER: APPROVAL: | |
| MATERIAL SPECIFICATIONS: PROCESS SPECIFICATIONS: THIS DRAWING IS SUPPLIED FOR INFORMATION ONLY. DESIGN FEATURES, SPECIFICATIONS AND PERFORMANCE DATA SHOWN HEREON ARE THE PROPERTY OF THE AMPHENOL CORPORATION. NO RIGHTS OF REPRODUCTION ARE IMPLIED. ALL DIMENSIONS ARE SUBJECT TO NORMAL MANUFACTURING VARIATIONS. | | Sine Systems - www.amphenol-sine.com 44724 Morley Drive Clinton Township, MI 48036 ECO-MATE, RECEPTACLE, JAM NUT, SIZE 18,8 POS, SOCKET. | |
| NEXT ASSY: | | SIZE: B TYPE: C- SCALE: NONE | DWG NO: RT07188S*H REVISION: B1 SHEET 1 OF 1 |

TITLE: ECO-MATE, RECEPTACLE, JAM NUT, SIZE 18,8 POS, SOCKET.

DWG NO: RT07188S*H

REV: B1

SH: 1

OF: 1

ecomate® RM/RSSM/Aquarius™ - Contact Size 12 Options

| Machined, Crimp Contacts | | | | |
|--------------------------|------------|--------------------|-------------------------------|------------|
| Part Number | | Contact Size (AWG) | Wire Range (mm ²) | Plating |
| Male | Female | | | |
| MP12B23T | MS12B23T | 14-12AWG | 2.3-3.5mm ² | Tin |
| MP12B23S | MS12B23S | 14-12AWG | 2.3-3.5mm ² | Silver |
| MP12B23F | MS12B23F | 14-12AWG | 2.3-3.5mm ² | Gold Flash |
| MP12B23G5 | MS12B23G5 | 14-12AWG | 2.3-3.5mm ² | Gold 5μ" |
| MP12B23G10 | MS12B23G10 | 14-12AWG | 2.3-3.5mm ² | Gold 10μ" |
| MP12B23G15 | MS12B23G15 | 14-12AWG | 2.3-3.5mm ² | Gold 15μ" |
| MP12B23G30 | MS12B23G30 | 14-12AWG | 2.3-3.5mm ² | Gold 30μ" |

| Machined, Tooling | |
|-------------------|--|
| Part Number | Description |
| QXRT12S | Contact Extraction Tool, 2.5mm contact |
| UH2-5 | Universal Locator, Fits AF8 and WA27F |
| AF8 | Hand Crimper |
| WA27F | Pneumatic Crimper |

| Plating Options, All | |
|----------------------|----------------------------|
| Symbol | Plating |
| T | Tin Plated |
| S | Silver Plated |
| F | Gold Flash |
| G5 | Gold 5μ" (Thickness 5μ") |
| G10 | Gold 10μ" (Thickness 10μ") |
| G15 | Gold 15μ" (Thickness 15μ") |
| G30 | Gold 30μ" (Thickness 30μ") |

| Stamped & Formed, Crimp Contacts | | | | |
|----------------------------------|---------|--------------------|-------------------------------|---------|
| Part Number | | Contact Size (AWG) | Wire Range (mm ²) | Plating |
| Male | Female | | | |
| SP12A1T | SS12A1T | 14-12AWG | 2.5-3.5mm ² | Tin |

| Stamped & Formed, Tooling | |
|---------------------------|--|
| Part Number | Description |
| QXRT12S | Contact Extraction Tool, 2.5mm Contact |
| MFX-3962 | Hand Tool, Stamped & Formed Contact, 2.5mm Contact |

| Misc Tooling, All | |
|-------------------|-----------------------|
| Part Number | Description |
| CA-4012-59 | Sealing Plug, Size 12 |

| Standard Quantity Order Options | |
|---------------------------------|-------------------|
| Machined | Bag, 500 Pieces |
| Stamped & Formed | Reel, 1000 Pieces |