

Series 80 Mighty Mouse EMI Backshell

380MS135 and 380M*137 Straight, 45° and 90° Ordering Information



380MS135

EMI backshells feature an EMI ring for easy shield termination.

Straight Entry backshells are available with direct coupling or rotatable coupling.

380-137 adapters feature rotatable coupling nuts.

How To Order	
Sample Part Number	380MS135 M 07 04- 6 N
Series (See Table I)	380MS135 = Straight Entry 380MS137 = Straight Entry, 380MB137 = 45° Entry 380MA137 = 90° Entry
Shell Material and Finish	UCR = Aluminum / Zinc Cobalt with Black ZNU = Aluminum / Zinc Nickel with Black over Electroless Nickel M = Aluminum / Electroless Nickel NF = Aluminum / Cadmium with Olive Drab ZN = Aluminum / Zinc-Nickel with Olive Drab Chromate MT = Aluminum / Nickel-PTFE Z1 = Stainless Steel / Passivated
Size Code (See Table V)	05, 06, 11, 07, 08, 09, 10, 12, 13, 14, 16, 17
Cable Entry Code (See Table II)	01-, 02-, 03-, 04-, 05-, 06-, 07-, 08-, 09-, 10-, 11-, 12-, 13-
Length (See Table III)	For Straight Entry Only. Use Standard lengths listed in Table III for Best Availability Specify length in .125 (3.18) inch increments (e.g. 6 = .75 in)
Clamp Style (See Table IV)	Omit = Clamp with Saddle Bars N = Compression Nut, Low Profile

Table I: Backshell Style			
380MS135 Straight Entry, Direct Coupling	380MS137 Straight Entry, Rotatable Coupling	380MB137 45° Entry, Rotatable Coupling	380MA137 90° Entry, Rotatable Coupling

Table II: Cable Entry Code			
Cable Entry Code	Saddle Clamp Dia. Fully Closed	Cable Entry Code	Saddle Clamp Dia. Fully Closed
01-	.11 (2.79)	08-	.55 (13.97)
02-	.17 (4.32)	09-	.61 (15.49)
03-	.23 (5.84)	10-	.67 (17.02)
04-	.30 (7.62)	11-	.73 (18.54)
05-	.36 (9.14)	12-	.86 (21.84)
06-	.42 (10.67)	13-	.99 (25.15)
07-	.48 (12.19)		

Table III: Std. Length ¹				
Size Code	380MS137 Std. Length		380MS135 Std. Length	
	In.	mm.	In.	mm.
05	.75	19.05	.63	16.00
06	.75	19.05	.63	16.00
11	.75	19.05	.63	16.00
07	.75	19.05	.75	19.05
08	.75	19.05	.75	19.05
09	.75	19.05	.75	19.05
10	.75	19.05	.75	19.05
12	.88	22.35	.88	22.35
13	.88	22.35	.88	22.35
14	1.00	25.40	1.00	25.40
16	1.00	25.40	1.00	25.40
17	1.13	28.70	1.13	28.70

Table IV: Clamp Style	
Omit Clamp with Saddle Bars	N Compression Nut, Low Profile

NOTES

1. Minimum length is .63 Inches. Applies to straight entry only.
2. Use shrink sleeve or bushing to build cable to dia. shown under saddle bars.

Materials

- Adapter, Clamp, Nut and Saddles: Aluminum Alloy 6061-T6 or 300 Series Stainless Steel
- Hardware: 300 Series Stainless Steel

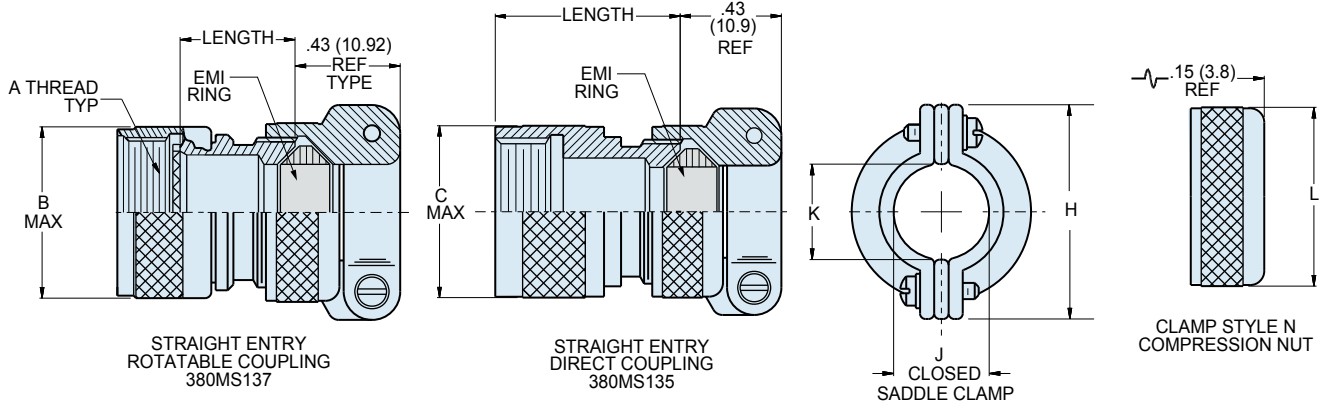
Dimensions in Inches (millimeters) are subject to change without notice.



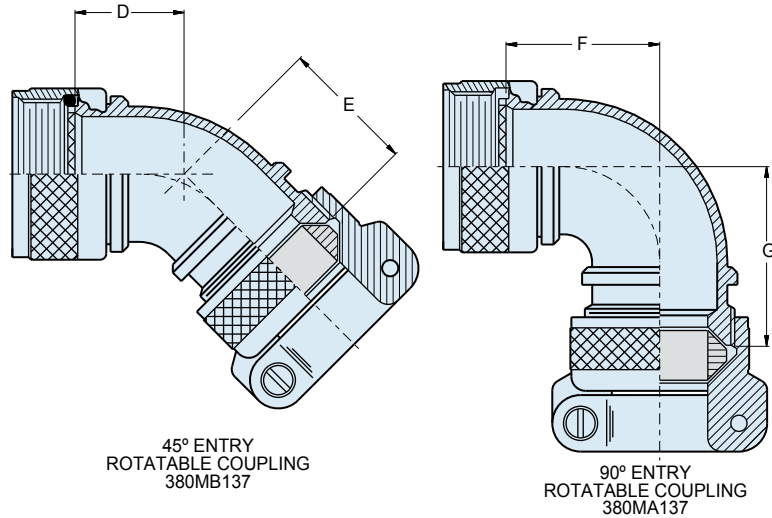


Series 80 Mighty Mouse EMI Backshell

380MS135 Straight and 380M*137 Straight, 45° and 90° Dimensions



X



Straight Coupling Dimensions							
Size Code	Shell Size Ref.		A Thd. UNEF Class-2B	B Max.		C Max.	
	800/801 803/804	805		In.	mm.	In.	mm.
05	5	N/A	.2500-32	.470	11.94	.350	8.89
06	6	N/A	.3125-32	.530	13.46	.415	10.54
11	N/A	8	.3750-32	.570	14.48	.465	11.68
07	7	9	.4375-28	.637	16.18	.530	13.46
08	8	10	.5000-28	.700	17.78	.595	15.11
09	9	11	.5625-24	.758	19.25	.650	16.51
10	10	12	.6250-24	.819	20.80	.715	18.16
12	11/12/13	13	.6875-24	.896	22.76	.785	19.94
13	N/A	15	.7500-20	.930	23.62	.830	21.08
14	14/15/16/17	18/19	.9375-20	1.137	28.88	1.020	25.91
16	19	21	1.0625-18	1.230	31.24	1.155	29.34
17	21	23	1.1875-18	1.387	35.23	1.280	32.51

45° and 90° Coupling Dimensions																
Cable Entry Code	D Max.		E Max.		F Max.		G Max.		H		J Closed		K		Ø L	
	In.	mm.	In.	mm.	In.	mm.	In.	mm.	± .015	± 0.38	± .030	± 0.76	± .015	± 0.38	± .015	± 0.38
	In.	mm.	In.	mm.	In.	mm.	In.	mm.	In.	mm.	In.	mm.	In.	mm.	In.	mm.
01	.603	15.32	.581	14.76	.724	18.39	.702	17.83	.496	12.60	.11	2.79	.119	3.02	.398	10.11
02	.603	15.32	.581	14.76	.724	18.39	.702	17.83	.582	14.78	.17	4.32	.182	4.62	.460	11.68
03	.603	15.32	.581	14.76	.724	18.39	.702	17.83	.656	16.66	.23	5.84	.244	6.20	.523	13.28
04	.629	15.98	.607	15.42	.786	19.96	.764	19.41	.726	18.44	.30	7.62	.307	7.80	.585	14.86
05	.629	15.98	.607	15.42	.786	19.96	.764	19.41	.885	22.48	.36	9.14	.369	9.37	.647	16.43
06	.655	16.64	.633	16.00	.848	21.54	.826	20.98	.952	24.18	.42	10.67	.432	10.97	.710	18.03
07	.655	16.64	.633	16.00	.848	21.54	.826	20.98	1.018	25.86	.48	12.19	.494	12.55	.773	19.63
08	.707	17.96	.685	17.40	.911	23.14	.889	22.58	1.084	27.53	.55	13.97	.557	14.15	.835	21.21
09	.707	17.96	.685	17.40	.911	23.14	.889	22.58	1.148	29.16	.61	15.49	.619	15.72	.897	22.78
10	.733	18.62	.711	18.06	.973	24.71	.951	24.16	1.211	30.76	.67	17.02	.682	17.32	.959	24.36
11	.733	18.62	.711	18.06	.973	24.71	.951	24.16	1.273	32.33	.73	18.54	.744	18.90	1.021	25.93
12	.785	19.94	.763	19.38	1.036	26.31	1.014	25.76	1.400	35.56	.86	21.84	.869	22.07	1.083	27.51
13	.811	20.60	.789	20.04	1.098	27.89	1.076	27.33	1.539	39.09	.99	25.15	1.010	25.65	1.145	29.08

Dimensions in Inches (millimeters) are subject to change without notice.