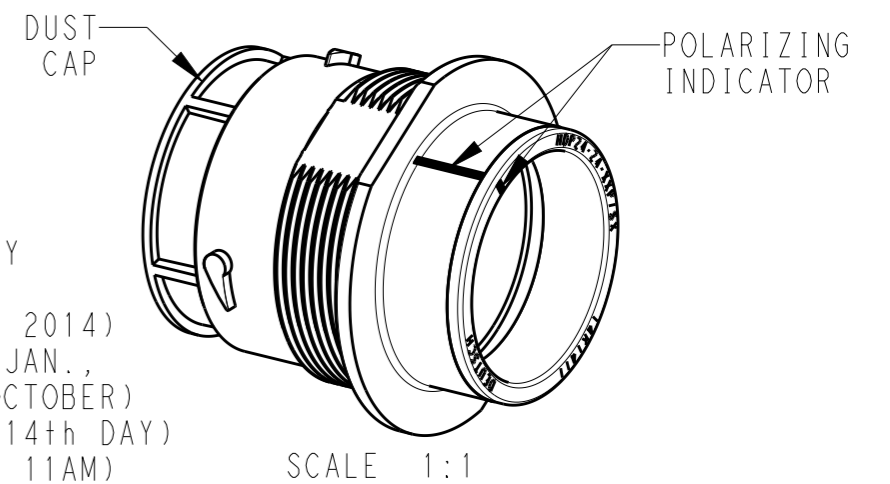
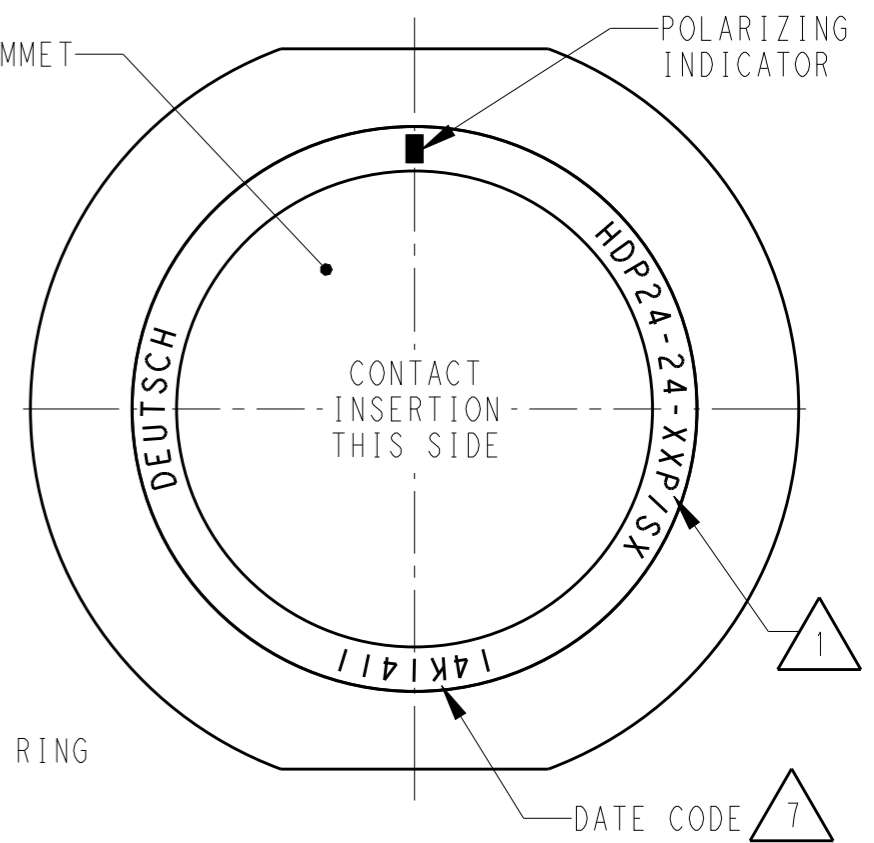
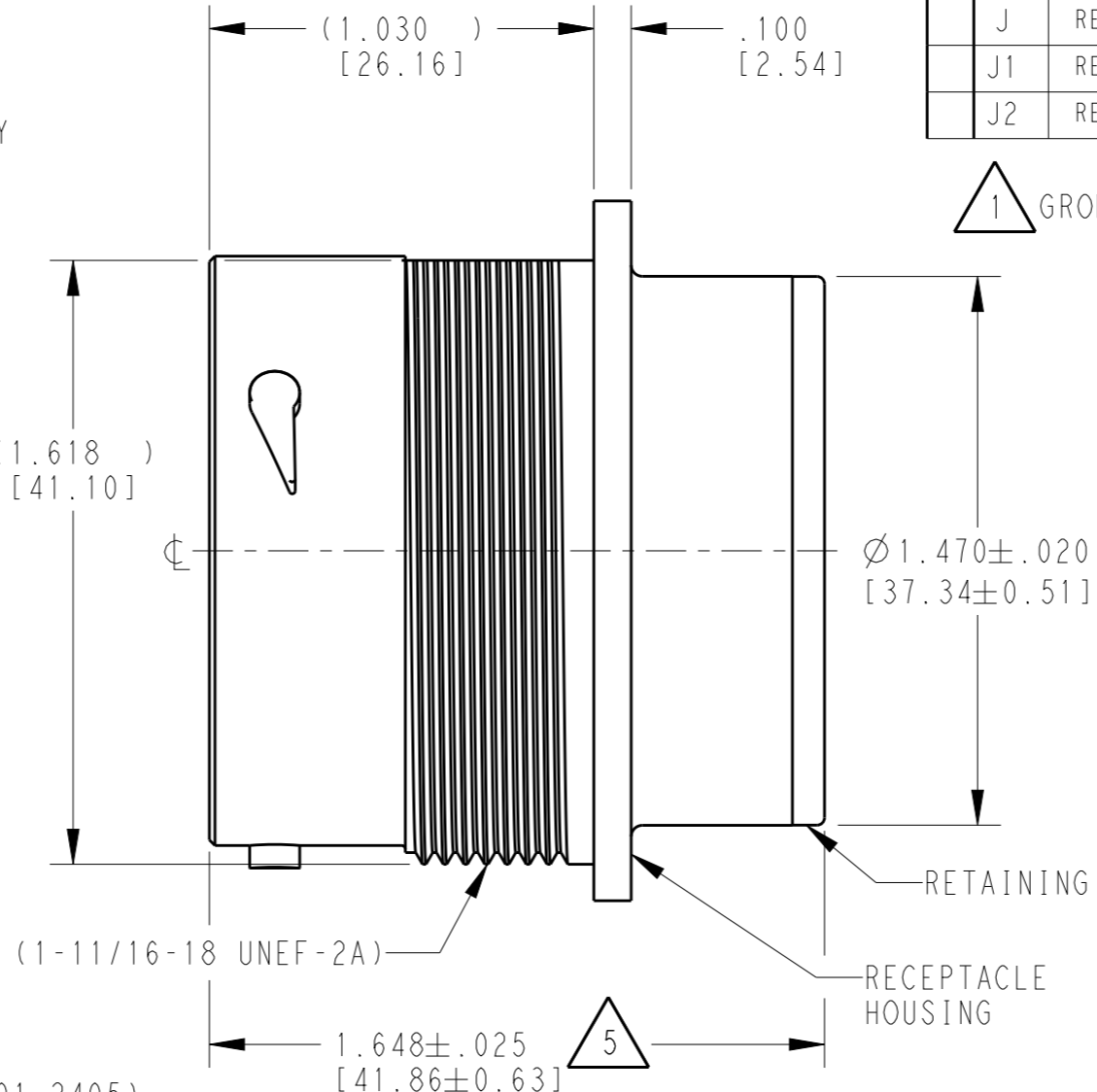
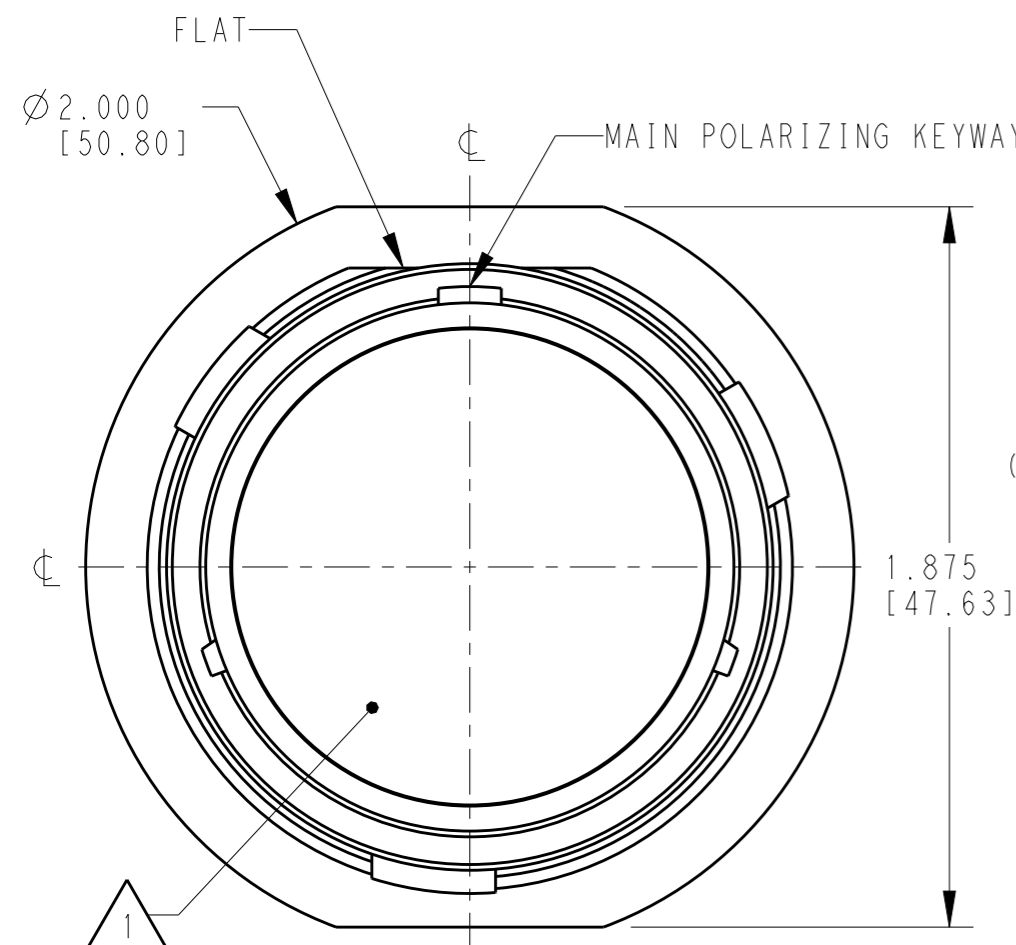


LOC	DIST	REVISIONS			
P	LTR	DESCRIPTION	DATE	DWN	APVD
	H	REVISED PER E.O P21391	15JUN2012	AM	RDR
	J	REVISED PER ECO-14-019072	23FEB2005	JA	DM
	J1	REVISED PER PCN E-16-012386	01MAR2017	DD	DM
	J2	REVISED PER PCN E-18-015727	03OCT2018	JA	DM



6. RECEPTACLE IS SUPPLIED WITH DUST CAP (2415-001-2405).

5 NOTED DIMENSION DOES NOT INCLUDE GROMMET PROTRUSION.

4 MATERIAL: RECEPTACLE HOUSING: PA66 GF10 (BLACK)
 RETAINER RING: PA66 GF10 (GREEN, GRAY, BLUE)
 GROMMET: SILICONE (ORANGE-RED)

3 SEE 0425-021-0000 APPLICATION SPECIFICATION
 A. RECOMMENDED WIRE INSULATION RANGE
 B. CONTACT REMOVAL TOOLS
 C. RECOMMENDED MOUNTING HOLE & PANEL THICKNESS
 D. MOUNTING HARDWARE & MOUNTING TORQUE.

7 DATE CODE: IDENTIFIES THE YEAR, MONTH, DAY AND HOUR OF ASSEMBLY.
 YEAR: FIRST AND SECOND DIGITS. (14 = 2014)
 MONTH: THRID DIGIT, EXCLUDING I. A = JAN., B = FEB., C = MARCH... (K = OCTOBER)
 DAY: FOURTH AND FIFTH DIGITS (14 = 14th DAY)
 HOUR: SIXTH AND SEVENTH DIGITS (11 = 11AM)

2. THIS RECEPTACLE MATES WITH HDP26-24-XXP/SX-XXXX PLUG
 X = SEAL TYPE (N,T,E)
 XX = INSERT ARRANGEMENT
 XXXX = MODIFICATION

1 SEE CUSTOMER DRAWING, 0425-014-2400 FOR AVAILABLE INSERT ARRANGEMENTS AND PART NUMBERS.

NOTES:

THIS DRAWING IS A CONTROLLED DOCUMENT.		DWN	03MAR2000	 TE Connectivity	NAME RECEPTACLE, THREADED SIZE 24 HDP SERIES
DIMENSIONS: INCHES [mm]		CHK	04FEB2004		
TOLERANCES UNLESS OTHERWISE SPECIFIED:		APVD	16JAN2004	PRODUCT SPEC 0425-021-0000	SIZE A3
0 PLC ± 1 PLC ± 2 PLC ± 3 PLC ±.015 [0.38] 4 PLC ± ANGLES ±0°30'0"		APVD	STEVE BEARD		
MATERIAL		PRODUCT SPEC	3	APPLICATION SPEC 0425-021-0000	DRAWING NO HDP24-24-XXP/SX
FINISH		WEIGHT			RESTRICTED TO -
N/A		Customer Drawing		SCALE	SHEET 1 OF 1 REV J2