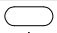

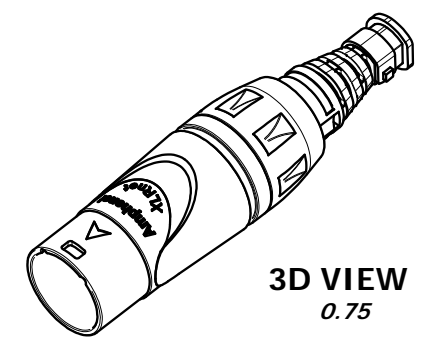
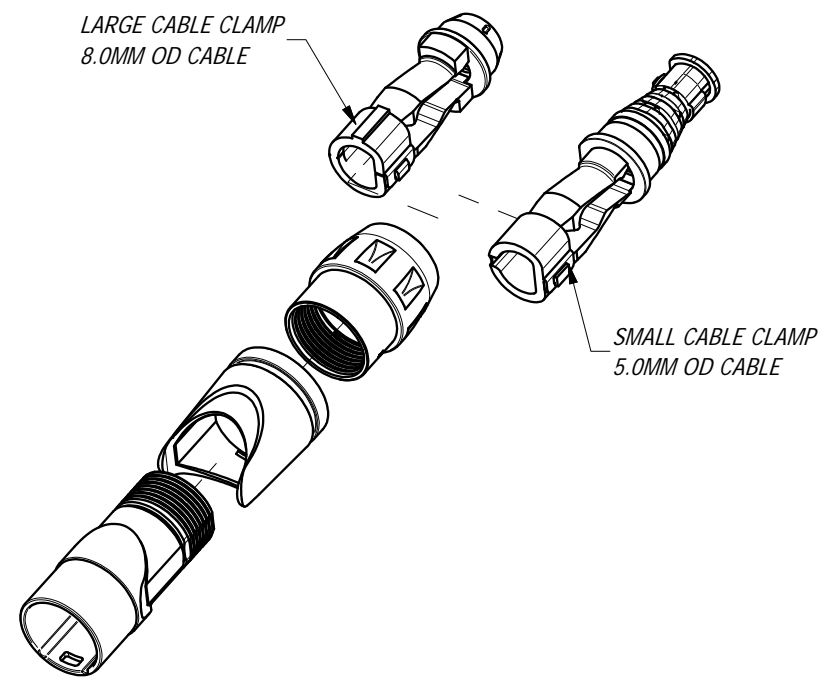
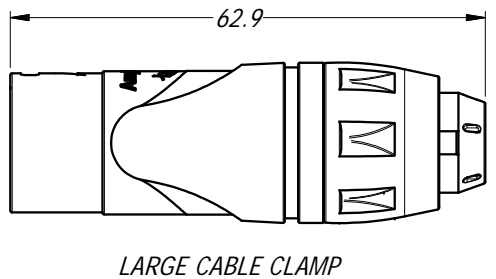
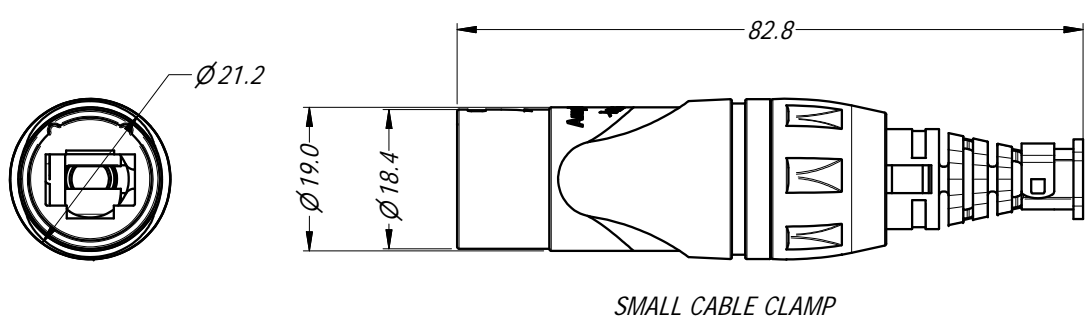
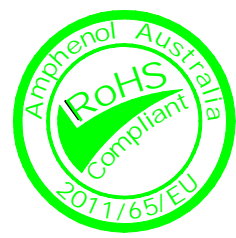
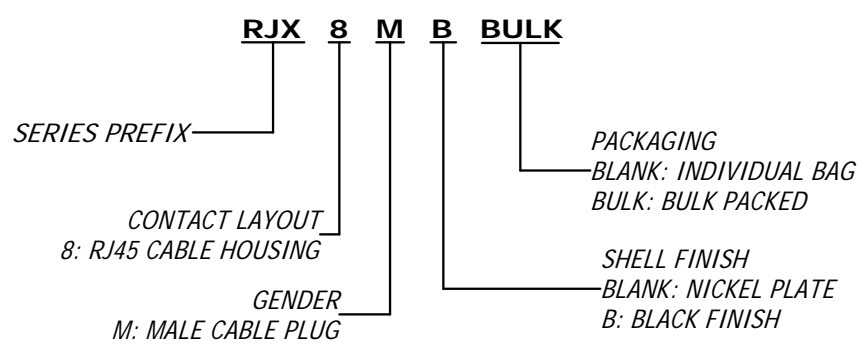


LEGEND
 = CRITICAL INSPECTION DIMENSIONS.
 = KEY PRODUCT CHARACTERISTICS



PART No. BREAKDOWN



NOTES:
 1. BOTH CABLE CLAMPS LARGE & SMALL ARE PACKED IN THE SAME BAG OF CONNECTOR KIT

UNLESS OTHERWISE SPECIFIED TOLERANCE TO BE		THIS DOCUMENT IS THE PROPERTY OF AMPHENOL AUSTRALIA PTY. LTD. NO PART THEREOF MAY BE REPRODUCED AND USED WITHOUT THE PRIOR WRITTEN CONSENT OF THE OWNER.				Amphenol Amphenol Australia Pty.Ltd, 22 Industry Blvd Carrum Downs, VIC 3201	
LINEAR		ANGULAR		MATERIAL:	DRN:	T.N	DATE: 08/08/12
X ± 0.5	X' ± 1			SEE COMPONENTS	CKD:	P.M	DATE: 09/08/12
X.X ± 0.1	X.X' ± 30'				APP'D:	P.M	DATE: 09/08/12
X.XX ± 0.05	X.XX' ± 15'			FINISH: SEE COMPONENTS		SCALE: 1:1	SIZE: A4
BREAK ALL SHARP EDGES AND REMOVE ALL BURRS		DO NOT SCALE		DIMENSIONS IN MILLIMETRES		THIRD ANGLE PROJECTION	
TITLE: XLRnet PLUG CABLE CONNECTOR CUSTOMER DWG		PART No: RJX8M*		REV: 2		DRAWING No. 55010849-000-2 SHEET 2/2	