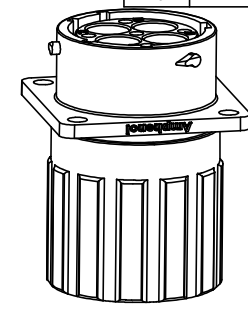
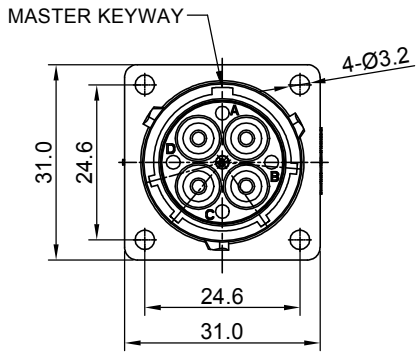
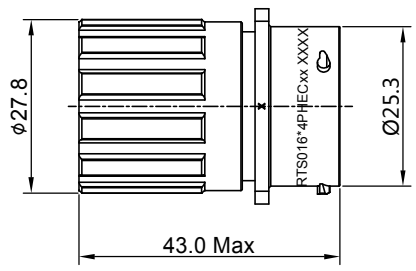
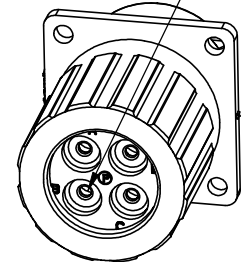


| REVISIONS | | | | | |
|-----------|-----|-------------------|-------------|-------|-------|
| REV | ECO | DESCRIPTION | DATE | BY | APPR |
| A1 | - | RELEASED DRAWING | Mar-29-2017 | Ben | Tommy |
| A2 | - | UPDATE NOTES | Jul-05-2017 | Nick | Tommy |
| A3 | - | UPDATE DRAWING | Mar-20-2018 | White | Tommy |
| A4 | - | UPDATE DRAWING | Apr-10-2018 | White | Tommy |
| A5 | - | MODIFY WIRE RANGE | Mar-1-2019 | Flan | Tommy |

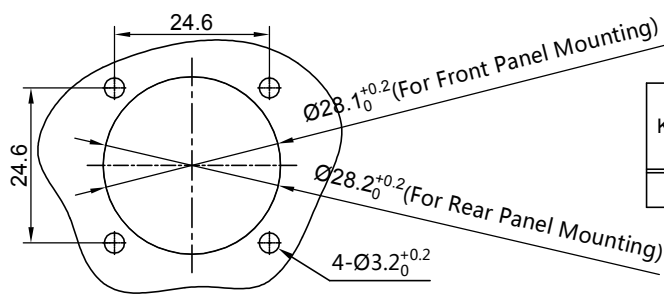


SEALING PLUGS CAN BE PURCHASED SEPARATELY



NOTES : (UNLESS OTHERWISE SPECIFIED)

- MATERIAL :
 - SHELL : THERMOPLASTIC , UL94 V-0.
 - INSERT : THERMOPLASTIC , UL94 V-0.
 - O-RING : NBR OR SILICONE RUBBER.
 - SEAL GASKET : NBR OR SILICONE RUBBER.
 - END CAP : THERMOPLASTIC , UL94 V-0.
 - PLASTIC RING:THERMOPLASTIC , UL94 V-0.
 - WIRE SEAL : SILICONE RUBBER.
- SPECIFICATIONS :
 - 2.1 RATED CURRENT : 45A (MAX) .
 - 2.2 RATED VOLTAGE : 600V (AC/DC) .
 - 2.3 OPERATING TEMPERATURE : SEE TABLE.
 - 2.4 DIELECTRIC WITHSTANDING VOLTAGE : LESS THAN 2 MILLIAMPS CURRENT LEAKAGE@2000 VOLTS AC.
 - 2.5 INSULATION RESISTANCE : 5000 MEGOHMS MIN.
 - 2.6 IP--CLASS : IP67 AND IP69K IN THE MATED CONDITION, WIRE SEALS FULLY POPULATED.
 - 2.7 MATING CYCLES DURABILITY : 500 CYCLES MIN.
 - 2.8 RoHS COMPLIANT.
- SUITABLE CONTACTS : 8# CONTACT.
- ALL DIMENSIONS ARE FOR REFERENCE USE ONLY.
- CONTACT SIZE AND REAR SEAL WIRE RANGE :



PANEL CUT OUT REFERENCE

| KEY POS | PART NUMBER | |
|---------|---------------|----------------|
| | -40°C ~ 105°C | -40°C ~ 125°C |
| N | RTS016N4PHEC | RTS016N4PHEC03 |

| CONTACT SIZE | MIN. INSUL O.D. | MAX. INSUL O.D. | WIRE RANGE |
|--------------|-----------------|-----------------|------------|
| 8# | Ø2.8mm | Ø4.1mm | 12 AWG |

| QUANTITY | PART NUMBER | DESCRIPTION | ITEM |
|--|-------------|--|------------------------------|
| MATERIALS LIST | | | |
| UNLESS OTHERWISE SPECIFIED 1) All dimensions are in metric(mm). 2) Tolerances are as follows: 1 PL DEC ±0.30 Fractions ±1/64 2 PL DEC ±0.15 Angles ±1° 3 PL DEC ±0.08 3) Note reference = | | SIGNATURES DATE DRAWN: <u>Flan</u> <u>Mar-1-2019</u> CHECKED: <u>Tod</u> <u>Mar-1-2019</u> ENGINEER: APPROVAL: <u>Tommy</u> <u>Mar-1-2019</u> | |
| MATERIAL SPECIFICATIONS: | | Amphenol Sine Systems - www.amphenol-sine.com 44724 Morley Drive Clinton Township, MI 48036 | |
| PROCESS SPECIFICATIONS: | | ECO-MATE, RECEPTACLE, FLANGE, SIZE 16,4POS,PIN,END CAP. | |
| NEXT ASSY: | | THIS DRAWING IS SUPPLIED FOR INFORMATION ONLY. DESIGN FEATURES, SPECIFICATIONS AND PERFORMANCE DATA SHOWN HEREON ARE THE PROPERTY OF THE AMPHENOL CORPORATION. NO RIGHTS OF REPRODUCTION ARE IMPLIED. ALL DIMENSIONS ARE SUBJECT TO NORMAL MANUFACTURING VARIATIONS. | |
| | | SIZE TYPE DWG NO. B C RTS016*4PHECxx | REVISION A5 |
| | | SCALE: NONE | SHEET 1 OF 1 |

TITLE: ECO-MATE, RECEPTACLE END CAP, FLANGE, SIZE 16,4POS, PIN DWG NO.: RTS016*4PHECxx REV: A5 SH: 1 OF: 1

ecomate® RM/RSSM/Aquarius™ - Contact Size 3.6mm (1604 Insert Arrangement) Options

| Crimp Contacts, 1604 Insert Arrangement, Machined | | | | | |
|---|------------|-------|-------------------------------|------------------|------------|
| Part Number | | AWG | Wire Range (mm ²) | For Use w Endcap | Plating |
| Male | Female | | | | |
| MP10A23T | MS10A23T | 12-10 | 3.0 - 6.0 | Yes | Tin |
| MP10A23S | MS10A23S | 12-10 | 3.0 - 6.0 | Yes | Silver |
| MP10A23F | MS10A23F | 12-10 | 3.0 - 6.0 | Yes | Gold Flash |
| MP10A23G5 | MS10A23G5 | 12-10 | 3.0 - 6.0 | Yes | Gold 5μ" |
| MP10S23G10 | MS10A23G10 | 12-10 | 3.0 - 6.0 | Yes | Gold 10μ" |
| MP10A23G15 | MS10A23G15 | 12-10 | 3.0 - 6.0 | Yes | Gold 15μ" |
| MS10A23G30 | MS10A23G30 | 12-10 | 3.0 - 6.0 | Yes | Gold 30μ" |

| Tooling, Machined | |
|-------------------|--|
| Part Number | Description |
| QXRT08 | Contact Extraction Tool, # 8 (Ø 3.6mm) Contact |
| M300BT | Hand Crimper |
| WA27-300BT-EP | Pneumatic Crimper |
| TP968 | Locator M3200BT and WA27-300BT-EP |

| Plating Options | |
|-----------------|------------------------------|
| Symbol | Plating |
| T | Tin Plating Over Nickel |
| S | Silver Plating Over Nickel |
| F | Gold Plated |
| G5 | Gold Plated (Thickness 5μ") |
| G10 | Gold Plated (Thickness 10μ") |
| G15 | Gold Plated (Thickness 15μ") |
| G30 | Gold Plated (Thickness 30μ") |