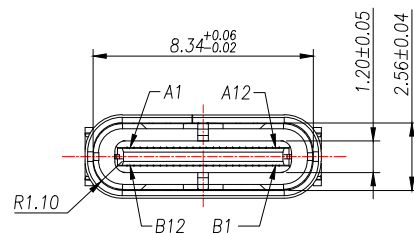
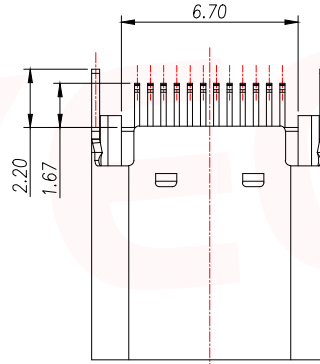
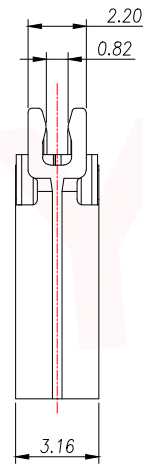
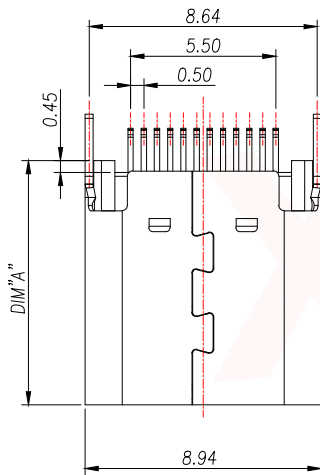
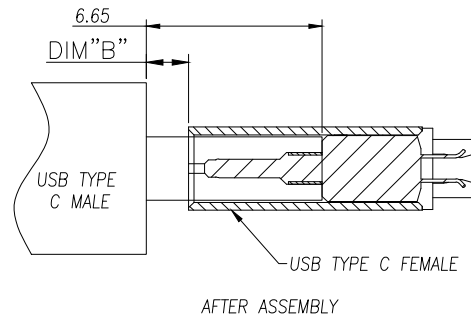
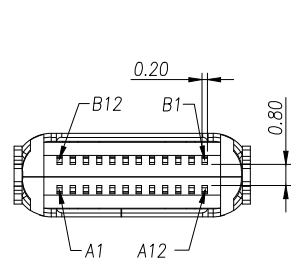


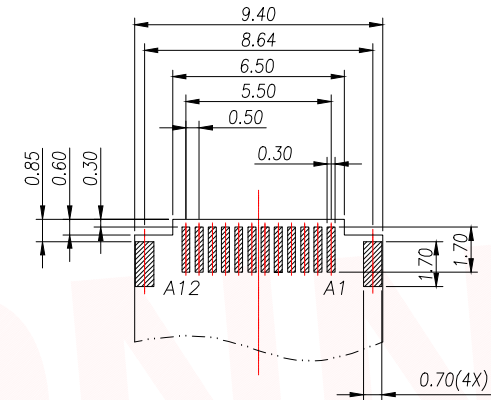
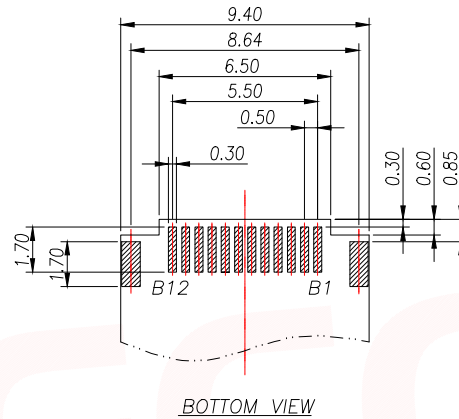
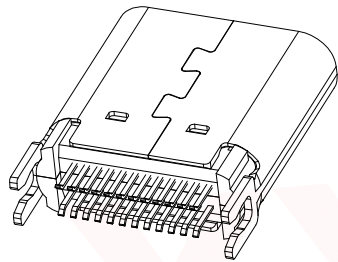
REV.	Q'TY	ECN. NO.	APR.	DATE



NOTE:

- MATERIAL SPECIFICATION:
 - HOUSING:PA9T,BLACK,UL94 V-0.
 - TERMINAL:COPPER ALLOY (C1814)
 - MID PLATE: STAINLESS STEEL (SUS301)
 - FRONT SHELL: STAINLESS STEEL (SUS304)
 - TOP SHELL: STAINLESS STEEL (SUS304)
- PLATING SPECIFICATION:
 - CONTACTS:
 - Ni 50u" MIN. UNDER PLATED OVER ALL.
 - GOLD-FLASH PLATED ON THE FUNCTIONAL AREA OF CONTACT.
 - GOLD-FLASH PLATED ON THE SOLDER
 - FRONT SHELL&TOP SHELL:
 - Ni 30u" MIN. UNDER PLATED OVER ALL.
 - MID PLATE:
 - CLEAR ONLY
- MECHANICAL PERFORMANCE,
 - INSERTION FORCE: 0.5~2.0kgf.
 - REMOVAL FORCE: 0.8kgf~2.0kgf.
 - DURABILITY: 10000 CYCLES.
- ELECTRICAL PERFORMANCE,
 - VOLTAGE RATING:5 V DC/AC (RMS. max)
CURRENT RATING:5 AMPS. FOR TOTAL VBUS/GND PINS;
1.25AMPS FOR CC PIN,0.25 AMPS. FOR ALL OTHER CONTACT.
 - LLCR:
 - VBUS & GND PINS AND OTHER PINS: 40mΩ/PIN MAX.
 - SHIELD: 50mΩ/MAX.
 - LLCR MAX. CHANGE OF ALL PINS: 10mΩ.
 - INSULATION RESISTANCE: 100MΩ MIN
 - DIELECTRIC WITHSTAND VOLTAGE,AC 100V FOR 1 MINUTE.
- ENVIRONMENTAL PERFORMANCE:
 - OPERATING TEMPERATURE: -40°C~+85°C.
- IR REFLOW:
 - THE PEAK TEMPERATURE ON THE BOARD SHALL BE MAINTAINED FOR 10 SECONDS AT 260°C.

DIMENSION IN mm		厦门市辛译精密电子有限公司 Xiamen XinYi Xyecom Electronics Co.,Ltd		
TOLERANCE UNLESS OTHERWISE SPECIFIED				
.X±0.35	X.*± 5°	APR.	Alex	TITLE: USB C F SPLINT CONN.WITH EMI PCB=0.8
.XX±0.25	.X.*± 3°	CHK.	Jack	DWG NO. TYPE-C-G09-1JBWJ0.8-2
.XXX±0.15	.XX.*± 1°	DRA.	Can	PROJ. CUSTOMER DRAWING
SIZE A4	SCALE 1:1	SHEET 1/3	REV. A	



THICKNESS 0.80±0.05MM;DEFAULT TOLERANCE:±0.05

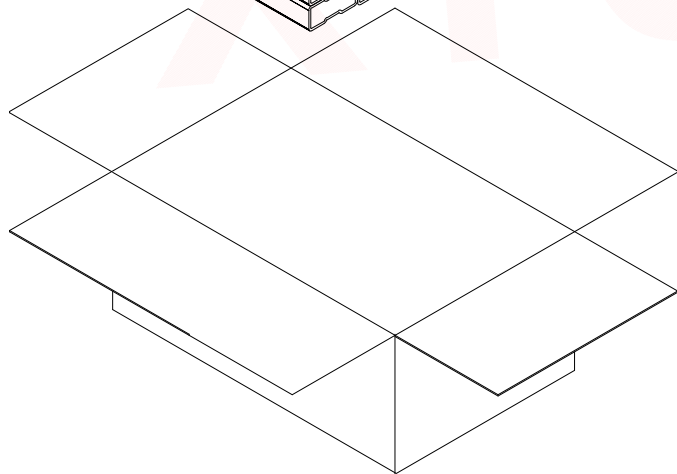
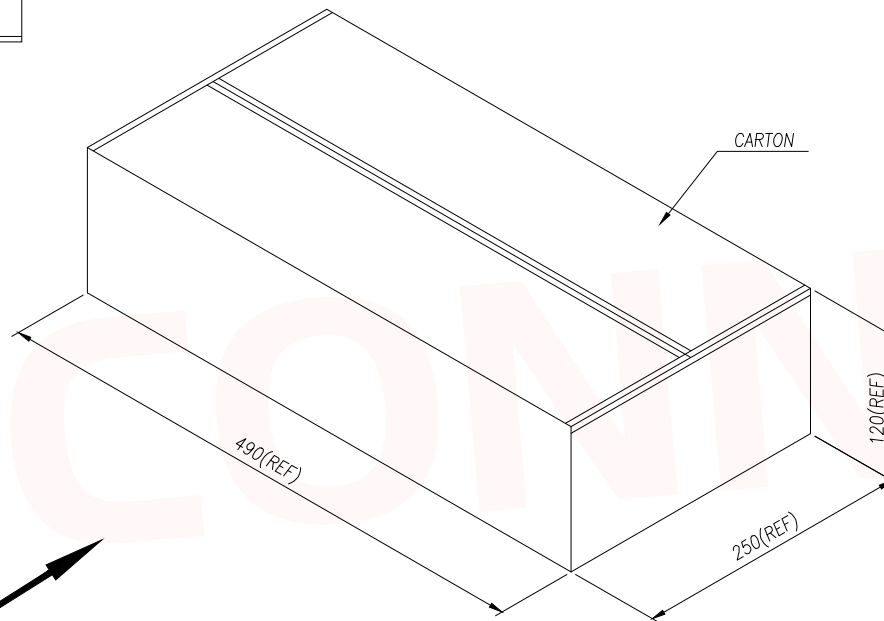
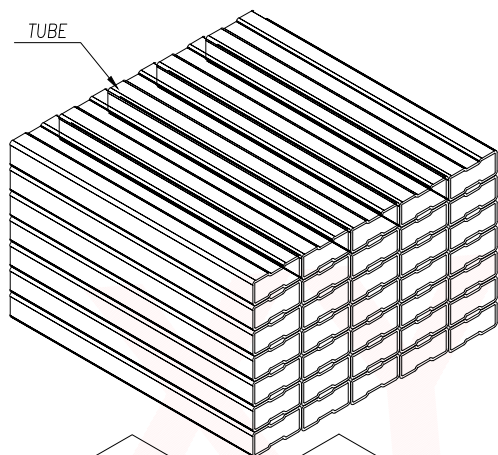
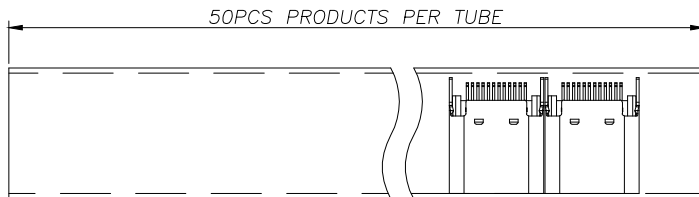
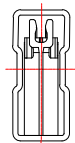
TABLE 1

P/N	DIM A	DIM B	QTY/TUBE	QTY/BOX
TYPE-C-G09-1JBWJ0.8-1	9.25	1.60	50	18000
TYPE-C-G09-1JBWJ0.8-2	10.40	0.45	50	18000

A1	A2	A3	A4	A5	A6	A7	A8	A9	A10	A11	A12
GND	TXp1	TXn1	Vbus	CC1	D+	D-	SBU1	Vbus	RXn2	RXp2	GND
GND	RXp1	RXn1	Vbus	SBU2	D-	D+	CC2	Vbus	TXn2	TXp2	GND
B12	B11	B10	B9	B8	B7	B6	B5	B4	B3	B2	B1

DIMENSION IN mm		厦门市辛译精密电子有限公司 Xiamen XinYi Xyecomm Electronics Co.,Ltd	
TOLERANCE UNLESS OTHERWISE SPECIFIED			
.X±0.35	X.*± 5°	APR. Alex	TITLE: USB C F SPLINT CONN.WITH EMI PCB=0.8
.XX±0.25	.X*± 3°	CHK. Jack	DWG NO. TYPE-C-G09-1JBWJ0.8-2
.XXX±0.15	.XX*± 1°	DRA. Can	PROJ. CUSTOMER DRAWING
SIZE A4	SCALE 1:1	SHEET 2/3	REV. A

REV.	Q'TY	ECN. NO.	APR.	DATE



	TUBE	CARTON
CONNECTOR (PCS)	50	18000

DIMENSION IN mm		厦门市辛译精密电子有限公司 Xiamen XinYi Xyconn Electronics Co.,Ltd		
TOLERANCE UNLESS OTHERWISE SPECIFIED				
.X±0.35	X.*± 5°	APR. Alex	TITLE: USB C F SPLINT CONN.WITH EMI PCB=0.8	
.XX±0.25	.X.*± 3°	CHK. Jack	DWG NO. TYPE-C-G09-1JBWJ0.8-2	
.XXX±0.15	.XX.*± 1°	DRA. Can	PROJ.	CUSTOMER DRAWING
		SIZE A4	SCALE 1:1	SHEET 3/3
				REV. A