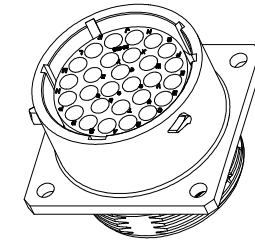
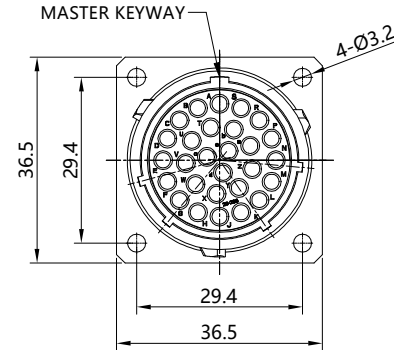
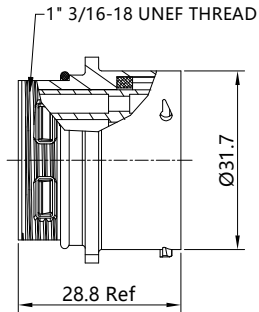
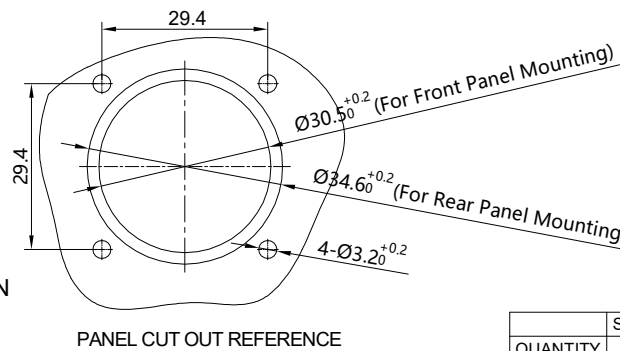


REVISIONS					
REV	ECO	DESCRIPTION	DATE	BY	APPR
B1	-	RELEASED DRAWING	NOV-23-2014	BEN	TOMMY
B2	-	UPDATE RATED VOLTAGE	DEC-21-2022	JUN	TOMMY
B3	-	UPDATE RATED CURRENT	MAY-3-2023	JUN	TOMMY



NOTES: (UNLESS OTHERWISE SPECIFIED)

- MATERIAL:
  - SHELL: ZINC ALLOY, NICKEL PLATED.
  - INSERT: THERMOPLASTIC, UL94 V-0.
  - SEAL GASKET: NBR/SILICONE RUBBER.
  - O-RING: NBR/SILICONE RUBBER.
- SPECIFICATIONS:
  - 2.1 RATED CURRENT: 3A (MAX).
  - 2.2 RATED VOLTAGE: 500V (AC/DC) .
  - 2.3 OPERATING TEMPERATURE: SEE CHART.
  - 2.4 DIELECTRIC WITHSTANDING VOLTAGE: LESS THAN 2 MILLIAMPS CURRENT LEAKAGE@2000 VOLTS AC.
  - 2.5 INSULATION RESISTANCE: 5000 MEGOHMS MIN.
  - 2.6 IP--CLASS: IP67.
  - 2.7 MATING CYCLES DURABILITY: 500 CYCLES MIN.
  - 2.8 ROHS COMPLIANT.
- SUITABLE CONTACTS : 16# CONTACTS.
- ALL DIMENSIONS ARE FOR REFERENCE USE ONLY.



KEY POS	PART NUMBER	
	-40°C ~ 105°C	-40°C ~ 125°C
N	RT002028SNH	RT002028SNH03
W	RT002028SWH	RT002028SWH03
X	RT002028SXH	RT002028SXH03
Y	RT002028SYH	RT002028SYH03
Z	RT002028SZH	RT002028SZH03

QUANTITY	SEE PART NUMBER CHART	DESCRIPTION	ITEM
<b>MATERIALS LIST</b>			
<b>UNLESS OTHERWISE SPECIFIED</b> 1) All dimensions are in metric(mm). 2) Tolerances are as follows: 1 PL DEC ±0.30 Fractions ±1/64 2 PL DEC ±0.15 Angles ±1° 3 PL DEC ±0.08		<b>SIGNATURES</b> <b>DATE</b> DRAWN: JUN    MAY-3-2023 CHECKED: JOE    MAY-5-2023 ENGINEER: APPROVAL: TOMMY    MAY-8-2023 CUSTOMER:	
MATERIAL SPECIFICATIONS: PROCESS SPECIFICATIONS: NEXT ASSY:		<div style="text-align: center;">             Sine Systems - www.amphenol-sine.com            44724 Morley Drive            Clinton Township, MI 48036         </div> <div style="text-align: center;"> <b>ACO-MATE, RECEPTACLE,            SIZE 20,28POS, SOCKET.</b> </div>	
THIS DRAWING IS SUPPLIED FOR INFORMATION ONLY. DESIGN FEATURES, SPECIFICATIONS AND PERFORMANCE DATA SHOWN HEREON ARE THE PROPERTY OF THE AMPHENOL CORPORATION. NO RIGHTS OF REPRODUCTION ARE IMPLIED. ALL DIMENSIONS ARE SUBJECT TO NORMAL MANUFACTURING VARIATIONS.		<b>SIZE</b> <b>TYPE</b> <b>DWG NO.</b> B    C-    RT002028S*H*	<b>REVISION</b> B3
SCALE: NONE		SHEET 1 OF 1	

TITLE: ACO-MATE RECEPTACLE SIZE 20,28POS, SOCKET.  
 DWG NO.: RT002028S\*H\*  
 REV: B3  
 SH: 1  
 OF: 1