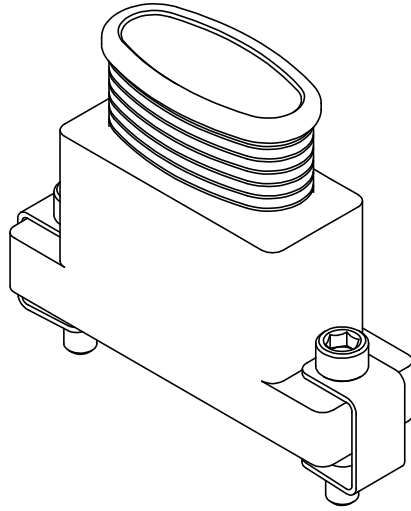
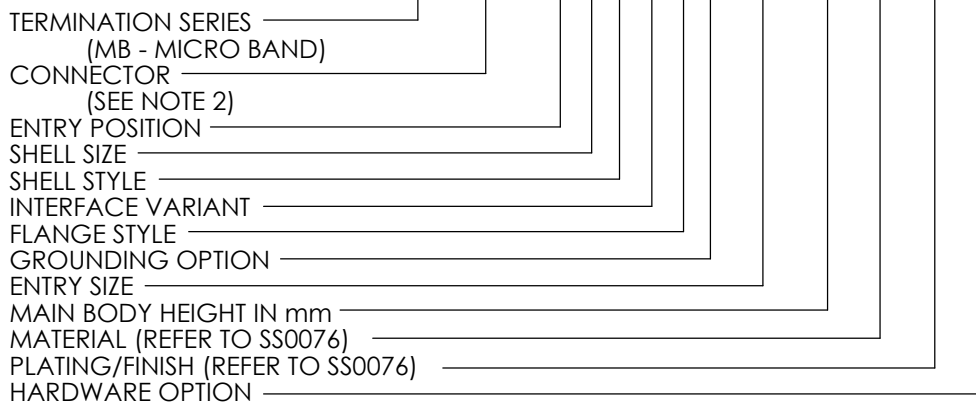


REVISIONS



MICRO-MINIATURE BACKSHELL WITH MICRO BAND SCREENED CABLE TERMINATION

EXAMPLE PART DESCRIPTION: MB MMD - U D S M S 0 - 05 - 30 - 1 - C - S



NOTES.

1. THIS PRODUCT IS DESIGNED TO TERMINATE A BRAIDED CABLE SHIELD TO A CONNECTOR.
2. THIS PRODUCT IS DESIGNED TO MATE WITH CONNECTORS CONFORMING TO:
 1. MIL-DTL-83513/1, /2, /3 AND /4, SHELL SIZES A, B, C, D, E, F, G AND H
3. BACKSHELL TO BE PERMANENTLY MARKED/BAGGED AND LABELLED WITH CODE IDENTIFICATION NUMBER AND PART NUMBER (e.g. U5792 - MBMMD-UDSMS0-05-30-1-C-S)

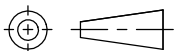
RELEASED FOR PUBLICATION

ALL RIGHTS RESERVED.

THIS DRAWING IS UNPUBLISHED.

© COPYRIGHT 20 BY

DIMENSIONS: MILLIMETERS	DWN: D. WRIGLEY 05/08/2019	MATERIAL:	FINISH:		
	CHK: R. STYLES 13/08/2019	STE TE Connectivity			
TOLERANCES UNLESS OTHERWISE SPECIFIED: GENERAL TOL LINEAR ±0,25MM ANGULAR ±1°	APVD: M. PAUL 05/08/2019	PART NUMBER: MBMMD SERIES			
	PRODUCT SPEC: -	NAME: MICRO BAND TERMINATION MICRO MINIATURE BACKSHELL			
APPLICATION SPEC: -	WEIGHT:	SIZE: A4	CAGE CODE: U5792	DRAWING NO: C-P43735	RESTRICTED TO
	CUSTOMER DRAWING		SCALE: 2:1	SHEET: 1 OF 6	REV: AB



REVISIONS

PART NUMBER BREAKDOWN STANDARD VARIABLES

ENTRY POSITION (SEE SHEET 3):

- U - TOP ENTRY
- F - END 45° ENTRY
- E - END 90° ENTRY
- J - SIDE 45° ENTRY
- S - SIDE 90° ENTRY

SHELL SIZE:

- A, B, C, D, E, F, G, H

SHELL STYLE:

- S - SINGLE PIECE BODY

INTERFACE VARIANT:

- M - MIRRORED

FLANGE STYLE:

- T - THIN FLANGE (SEE SHEET 4)
- S - STANDARD FLANGE (SEE SHEET 4)

GROUNDING OPTION:

- 0 - NO GROUNDING (INTERNAL GROUNDING NOT PROVIDED ON MICRO MINIATURE BACKSHELLS)

ENTRY SIZE:

- 02 - 11 (SEE SHEET 5)

MAIN BODY HEIGHT IN mm:

MINIMUM HEIGHT SHOWN ON ENTRY SIZE TABLE 1 AND ENTRY SIZE TABLE 2 ON SHEET 5; MAXIMUM HEIGHT = 60mm; INCREMENTS OF 5mm

MATERIAL:F

PLEASE REFER TO SS0076

PLATING/FINISH:

PLEASE REFER TO SS0076

HARDWARE OPTION:

0, S, H, E, F (SEE SHEET 6)


RELEASED FOR PUBLICATION

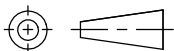
ALL RIGHTS RESERVED.

THIS DRAWING IS UNPUBLISHED.

COPYRIGHT 20 BY



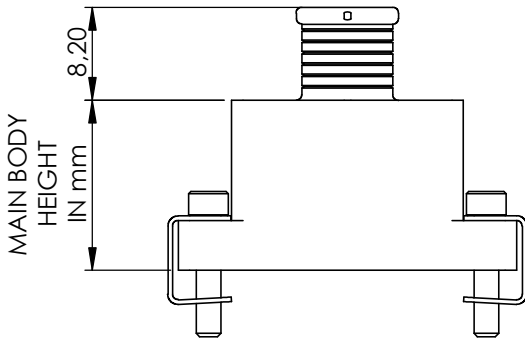
DIMENSIONS: MILLIMETERS	DWN: D. WRIGLEY	05/08/2019	MATERIAL:	FINISH:				
	CHK: R. STYLES	13/08/2019	 TE Connectivity					
TOLERANCES UNLESS OTHERWISE SPECIFIED: GENERAL TOL LINEAR ±0.25MM ANGULAR ±1°	APVD: M. PAUL	05/08/2019	PART NUMBER: MBMMD SERIES					
	PRODUCT SPEC:	-	NAME: MICRO BAND TERMINATION MICRO MINIATURE BACKSHELL					
	APPLICATION SPEC:	-	SIZE	CAGE CODE	DRAWING NO	RESTRICTED TO		
	WEIGHT:	-	A4	U5792	Ⓒ-P43735			
CUSTOMER DRAWING			SCALE	2:1	SHEET	2 OF 6	REV	AB



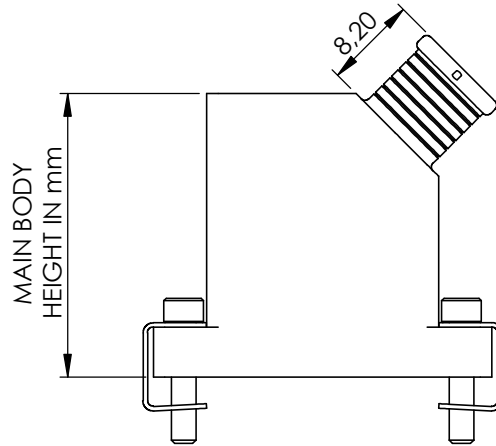
REVISIONS

ENTRY POSITION

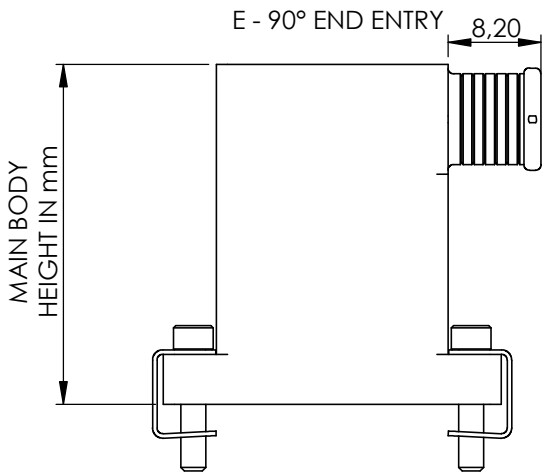
U - TOP ENTRY



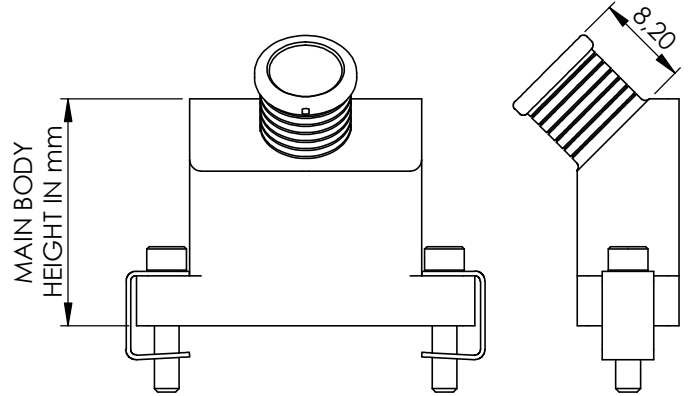
F - 45° END ENTRY



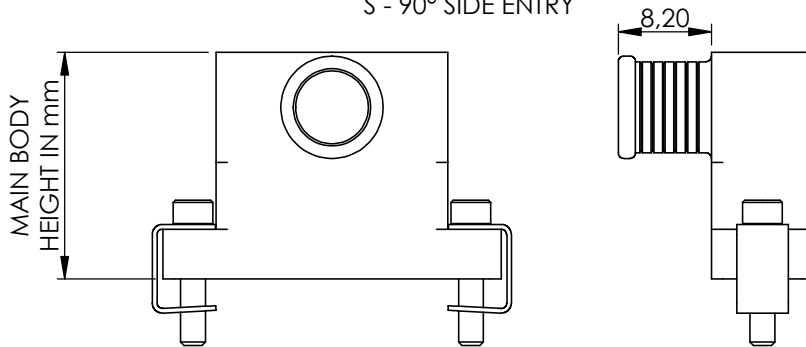
E - 90° END ENTRY



J - 45° SIDE ENTRY



S - 90° SIDE ENTRY



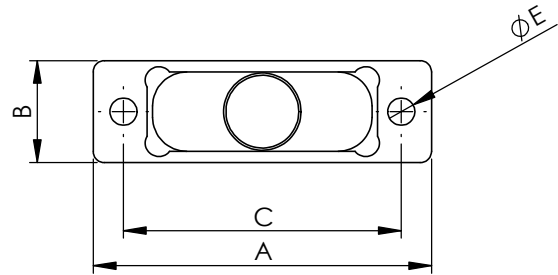
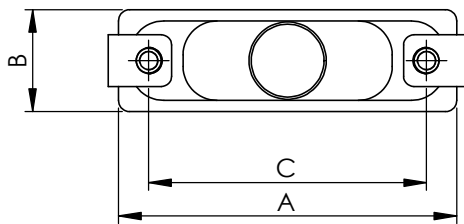
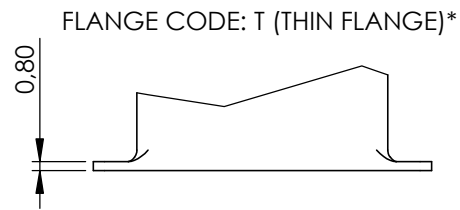
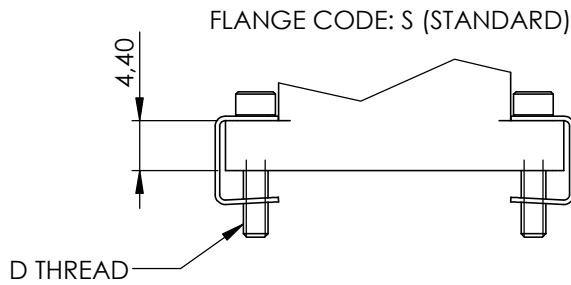
THIS DRAWING IS UNPUBLISHED.

RELEASED FOR PUBLICATION
ALL RIGHTS RESERVED.

BY
COPYRIGHT 20

DIMENSIONS: MILLIMETERS	DWN: D. WRIGLEY 05/08/2019	MATERIAL:	FINISH:
	CHK: R. STYLES 13/08/2019	STE TE Connectivity	
TOLERANCES UNLESS OTHERWISE SPECIFIED: GENERAL TOL LINEAR ±0,25MM ANGULAR ±1°	APVD: M. PAUL 05/08/2019	PART NUMBER: MBMMD SERIES	
	PRODUCT SPEC: -	NAME: MICRO BAND TERMINATION MICRO MINIATURE BACKSHELL	
APPLICATION SPEC: -	WEIGHT:	SIZE: A4	CAGE CODE: U5792
	CUSTOMER DRAWING	DRAWING NO: P43735	RESTRICTED TO:
		SCALE: 1.5:1	SHEET: 3 OF 6

REVISIONS



SHELL SIZE	CONNECTOR REF.	A	B	C	D THREAD	E
A	09	19,68	9,00	14,35	2-56 UNC - 2A	2,40
B	15	23,50	9,00	18,16		
C	21	27,30	9,00	21,97		
D	25	29,84	9,00	24,51		
E	31	33,66	9,00	28,32		
F	37	37,46	9,00	32,13		
G	51	36,20	10,00	30,86	4-40 UNC - 2A	3,60
H	100	54,86	11,00	45,72		

* - THIN FLANGE OPTION IS NOT SUPPORTED WITH TE SUPPLIED HARDWARE; ALL PART DESCRIPTIONS INCLUDING CODE 'T' FOR THIN FLANGE MUST USE CODE '0' FOR HARDWARE.
 THIN FLANGE BACKSHELLS ARE DESIGNED TO ACCOMMODATE A CUSTOMER-SOURCED JACK SCREW OF MAXIMUM HEAD DIAMETER OF:
 SHELL SIZES A TO G: 3,50mm (.138")
 SHELL SIZE H: 4,60mm (.181")

RELEASED FOR PUBLICATION

ALL RIGHTS RESERVED.

THIS DRAWING IS UNPUBLISHED.

© COPYRIGHT 20 BY

DIMENSIONS: MILLIMETERS	DWN: D. WRIGLEY 05/08/2019	MATERIAL:	FINISH:
	CHK: R. STYLES 13/08/2019	STE TE Connectivity	
TOLERANCES UNLESS OTHERWISE SPECIFIED: GENERAL TOL LINEAR ±0,25MM ANGULAR ±1°	APVD: M. PAUL 05/08/2019	PART NUMBER: MBMMD SERIES	
	PRODUCT SPEC: -	NAME: MICRO BAND TERMINATION MICRO MINIATURE BACKSHELL	
APPLICATION SPEC: -	WEIGHT:	SIZE: A4	CAGE CODE: U5792
	CUSTOMER DRAWING	DRAWING NO: P43735	RESTRICTED TO:
		SCALE: 1.5:1	SHEET: 4 OF 6

REVISIONS

AVAILABLE ENTRY SIZES

SHELL SIZE	CONNECTOR REF.	U - TOP ENTRY		F - 45° END ENTRY		E - 90° END ENTRY		J - 45° SIDE ENTRY		S - 90° SIDE ENTRY	
		CIRCULAR	ELLIPTICAL	CIRCULAR	ELLIPTICAL	CIRCULAR	ELLIPTICAL	CIRCULAR	ELLIPTICAL	CIRCULAR	ELLIPTICAL
A	09	02 - 04	NA	02 - 04	NA	02 - 04	NA	02 - 04	NA	02 - 04	NA
B	15	02 - 04	05	02 - 04	05	02 - 04	05	02 - 04	05	02 - 04	05
C	21	02 - 04	05 - 06	02 - 04	05 - 06	02 - 04	05 - 06	02 - 04	05 - 06	02 - 04	05 - 06
D	25	02 - 04	05 - 06	02 - 04	05 - 06	02 - 04	05 - 06	02 - 04	05 - 06	02 - 04	05 - 06
E	31	02 - 04	05 - 07	02 - 04	05 - 07	02 - 04	05 - 07	02 - 04	05 - 07	02 - 04	05 - 07
F	37	02 - 04	05 - 08	02 - 04	05 - 08	02 - 04	05 - 08	02 - 04	05 - 08	02 - 04	05 - 08
G	51	02 - 05	06 - 08	02 - 05	06 - 08	02 - 05	06 - 08	02 - 05	06 - 08	02 - 05	06 - 08
H	100	02 - 05	06 - 11	02 - 05	06 - 11	02 - 05	06 - 11	02 - 05	06 - 11	02 - 05	06 - 11



ENTRY SIZE TABLE 1 - CIRCULAR ENTRY ONLY

ENTRY SIZE (CIRCULAR)	DIA Z MIN	U - TOP ENTRY MINIMUM MAIN BODY HEIGHT IN mm	F - 45° END ENTRY MINIMUM MAIN BODY HEIGHT IN mm		E - 90° END ENTRY MINIMUM MAIN BODY HEIGHT IN mm		J - 45° SIDE ENTRY MINIMUM MAIN BODY HEIGHT IN mm		S - 90° SIDE ENTRY MINIMUM MAIN BODY HEIGHT IN mm	
			STANDARD FLANGE	THIN FLANGE	STANDARD FLANGE	THIN FLANGE	STANDARD FLANGE	THIN FLANGE	STANDARD FLANGE	THIN FLANGE
02	3,18	15,0	25,0	20,0	25,0	20,0	20,0	20,0	20,0	20,0
03	4,77	15,0	25,0	20,0	30,0	20,0	20,0	20,0	20,0	20,0
04	6,35	15,0	25,0	20,0	30,0	25,0	20,0	20,0	20,0	20,0
05	7,93	15,0	30,0	20,0	30,0	25,0	20,0	20,0	20,0	20,0

ENTRY SIZE TABLE 2 - ELLIPTICAL ENTRY ONLY

ENTRY SIZE (ELLIPTICAL)	X MIN	Y MIN	U - TOP ENTRY MINIMUM MAIN BODY HEIGHT IN mm	F - 45° END ENTRY MINIMUM MAIN BODY HEIGHT IN mm		E - 90° END ENTRY MINIMUM MAIN BODY HEIGHT IN mm		J - 45° SIDE ENTRY MINIMUM MAIN BODY HEIGHT IN mm		S - 90° SIDE ENTRY MINIMUM MAIN BODY HEIGHT IN mm	
				STANDARD FLANGE	THIN FLANGE	STANDARD FLANGE	THIN FLANGE	STANDARD FLANGE	THIN FLANGE	STANDARD FLANGE	THIN FLANGE
05	10,70	6,00	15,0	30,0	25,0	35,0	25,0	20,0	20,0	20,0	20,0
06	15,00	6,00	15,0	30,0	25,0	40,0	30,0	20,0	20,0	20,0	20,0
07	20,00	6,00	15,0	35,0	30,0	45,0	35,0	20,0	20,0	20,0	20,0
08	25,00	6,00	15,0	40,0	35,0	50,0	40,0	20,0	20,0	20,0	20,0
08*	23,50	6,50	15,0	40,0	30,0	50,0	40,0	20,0	20,0	20,0	20,0
09	25,00	8,00	15,0	40,0	30,0	50,0	40,0	20,0	20,0	20,0	20,0
10	31,00	8,00	15,0	45,0	35,0	55,0	45,0	20,0	20,0	20,0	20,0
11	36,00	8,00	15,0	45,0	45,0	60,0	50,0	20,0	20,0	20,0	20,0

* - ENTRY SIZE DIMENSIONS APPLY TO SHELL SIZES G AND H ONLY

RELEASED FOR PUBLICATION

ALL RIGHTS RESERVED.

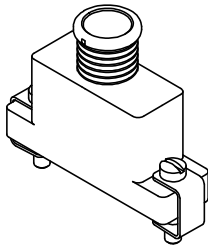
THIS DRAWING IS UNPUBLISHED.

BY COPYRIGHT 20

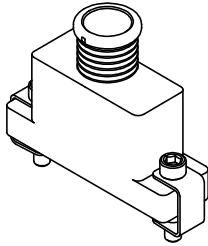
DIMENSIONS: MILLIMETERS	DWN: D. WRIGLEY 05/08/2019	MATERIAL:	FINISH:
	CHK: R. STYLES 13/08/2019	STE TE Connectivity	
TOLERANCES UNLESS OTHERWISE SPECIFIED: GENERAL TOL LINEAR ±0,25MM ANGULAR ±1°	APVD: M. PAUL 05/08/2019	PART NUMBER:	MBMMD SERIES
	PRODUCT SPEC: -	NAME: MICRO BAND TERMINATION MICRO MINIATURE BACKSHELL	
APPLICATION SPEC: -	WEIGHT:	SIZE: A4	CAGE CODE: U5792
	CUSTOMER DRAWING	DRAWING NO: C-P43735	RESTRICTED TO:
		SCALE: 1.5:1	SHEET: 5 OF 6

REVISIONS

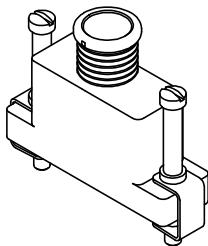
HARDWARE OPTIONS



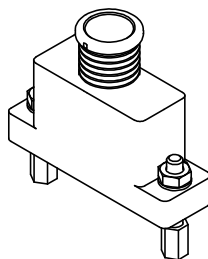
HARDWARE OPTION CODE: S
 SLOTTED HEAD JACKSCREW RETAINED WITH 'OVER-END' CLIP
 MATERIAL: STAINLESS STEEL, PASSIVATE FINISH
 NOT RECOMMENDED FOR USE WITH ENTRY POSITIONS F AND E



HARDWARE OPTION CODE: H
 HEX DRIVE SOCKET HEAD JACKSCREW RETAINED WITH 'OVER-END' CLIP
 MATERIAL: STAINLESS STEEL, PASSIVATE FINISH



HARDWARE OPTION CODE: E
 EXTENDED SLOTTED HEAD JACKSCREW RETAINED WITH 'OVER-END' CLIP
 MATERIAL: STAINLESS STEEL, PASSIVATE FINISH
 NOT AVAILABLE FOR ENTRY POSITIONS E AND F



HARDWARE OPTION CODE: F
 FEMALE THREAD JACKPOST
 MATERIAL: STAINLESS STEEL, PASSIVATE FINISH


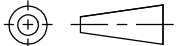
HARDWARE OPTION CODE: 0 (ZERO)
 BACKSHELL SUPPLIED WITHOUT HARDWARE
 TO BE USED WITH ALL THIN FLANGE BACKSHELL OPTIONS

RELEASED FOR PUBLICATION

ALL RIGHTS RESERVED.

THIS DRAWING IS UNPUBLISHED.

© COPYRIGHT 20 BY

DIMENSIONS: MILLIMETERS	DWN: D. WRIGLEY	05/08/2019	MATERIAL:	FINISH:			
	CHK: R. STYLES	13/08/2019	 TE Connectivity				
TOLERANCES UNLESS OTHERWISE SPECIFIED:	APVD: M. PAUL	05/08/2019			PART NUMBER:	MBMMD SERIES	
GENERAL TOL LINEAR $\pm 0,25$ MM ANGULAR $\pm 1^\circ$	PRODUCT SPEC:	-	NAME: MICRO BAND TERMINATION MICRO MINIATURE BACKSHELL				
	APPLICATION SPEC:	-	SIZE	CAGE CODE	DRAWING NO	RESTRICTED TO	
	WEIGHT:	-	A4	U5792	C-P43735		
	CUSTOMER DRAWING	SCALE		1:1	SHEET	6 OF 6	REV