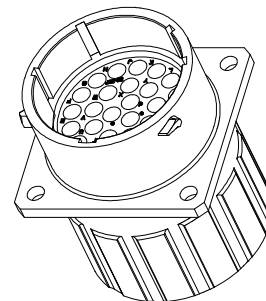
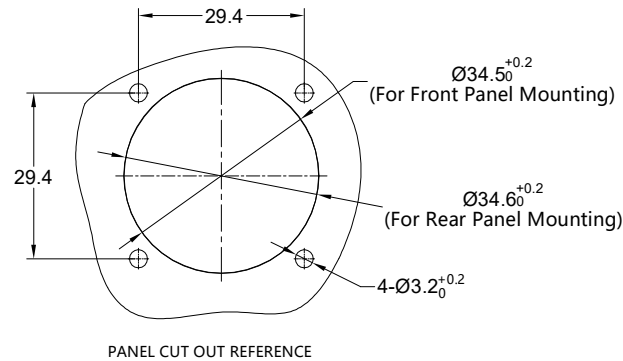
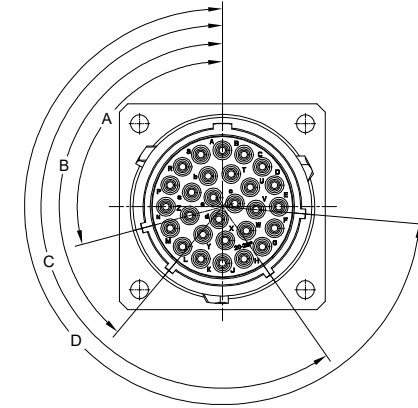
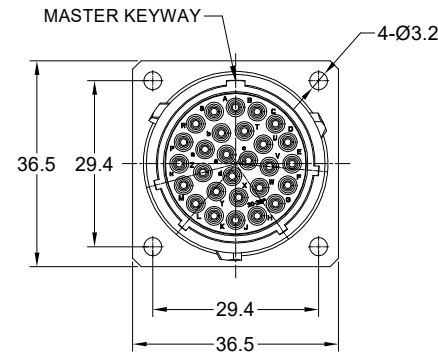
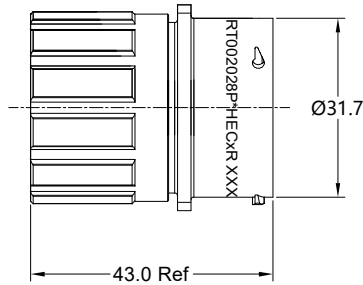


REVISIONS					
REV	ECO	DESCRIPTION	DATE	BY	APPR
A1	-	RELEASED DRAWING	MAR-26-2019	BLINK	TOMMY
A2	-	UPDATE DESCRIPTION AND ADD KEY ICON	OCT-12-2020	BLINK	TOMMY
A3	-	UPDATE RATED CURRENT	MAY-3-2023	JUN	TOMMY



NOTES: (UNLESS OTHERWISE SPECIFIED)

1. MATERIAL:

- SHELL: ZINC ALLOY, NICKEL PLATED.
- INSERT: THERMOPLASTIC, UL94 V-0.
- END CAP: THERMOPLASTIC, UL94 V-0.
- PLASTIC BUSHING: THERMOPLASTIC, UL94 V-0.
- SEAL GASKET: NBR/SILICONE RUBBER.
- O-RING: NBR/SILICONE RUBBER.
- WIRE SEAL: SILICONE RUBBER.

2. SPECIFICATIONS:

- 2.1 RATED CURRENT: 3A (MAX).
- 2.2 RATED VOLTAGE: 500V (AC/DC) .
- 2.3 OPERATING TEMPERATURE: SEE CHART.
- 2.4 DIELECTRIC WITHSTANDING VOLTAGE: LESS THAN 2 MILLIAMPS CURRENT LEAKAGE@2000 VOLTS AC.
- 2.5 INSULATION RESISTANCE: 5000 MEGOHMS MIN.
- 2.6 IP-CLASS: IP67.
- 2.7 MATING CYCLES DURABILITY: 500 CYCLES MIN.
- 2.8 RoHS COMPLIANT.

3. SUITABLE CONTACTS : 16# CONTACTS.

- 4. ALL DIMENSIONS ARE FOR REFERENCE USE ONLY.
- 5. CONTACT SIZE AND REAR SEAL WIRE RANGE:

Contact Size	Insulation Overall Diameter(min-max)	Wire Range
16#	Ø1.2mm - Ø2.1mm	14 - 24AWG

KEY POS	PART NUMBER		A	B	C	D
	-40°C ~ 105°C	-40°C ~ 125°C				
N	RT002028PNHECR	RT002028PNHEC03R	105°	140°	215°	265°
W	RT002028PWHECR	RT002028PWHEC03R	79°	140°	215°	265°
X	RT002028PXHECR	RT002028PXHEC03R	105°	126°	215°	265°
Y	RT002028PYHECR	RT002028PYHEC03R	105°	140°	215°	259°
Z	RT002028PZHECR	RT002028PZHEC03R	105°	140°	215°	330°

QUANTITY	SEE PART NUMBER CHART	DESCRIPTION	ITEM
<b>MATERIALS LIST</b>			
UNLESS OTHERWISE SPECIFIED		SIGNATURES DATE	
1) All dimensions are in metric(mm).		DRAWN: JUN	MAY-3-2023
2) Tolerances are as follows:		CHECKED: JOE	MAY-5-2023
1 PL DEC ±0.30		ENGINEER:	
2 PL DEC ±0.15		APPROVAL: TOMMY	MAY-8-2023
3 PL DEC ±0.08		CUSTOMER:	
3) Note reference =		THIS DRAWING IS SUPPLIED FOR INFORMATION ONLY. DESIGN FEATURES, SPECIFICATIONS AND PERFORMANCE DATA SHOWN HEREON ARE THE PROPERTY OF THE AMPHENOL CORPORATION. NO RIGHTS OF REPRODUCTION ARE IMPLIED. ALL DIMENSIONS ARE SUBJECT TO NORMAL MANUFACTURING VARIATIONS.	
MATERIAL SPECIFICATIONS:		<p style="text-align: center;"><b>Amphenol</b></p> <p style="text-align: center;">Sine Systems - www.amphenol-sine.com 44724 Morley Drive Clinton Township, MI 48036</p>	
PROCESS SPECIFICATIONS:		<p style="text-align: center;">ECO-MATE RM, RECEPTACLE, SIZE 20, 28POS, PIN, END CAP, REDUCED WIRE SEALS.</p>	
NEXT ASSY:		<p>SIZE TYPE DWG NO. REVISION</p> <p><b>B C-</b> <b>RT002028P*HECXR</b> <b>A3</b></p>	
		SCALE NONE	SHEET 1 OF 1

TITLE: ECO-MATE RM, RECEPTACLE, SIZE 20, 28POS, PIN, END CAP, REDUCED WIRE SEALS

DWG NO:

RT002028P\*HECXR

REV: A3

SH: 1

OF: 1