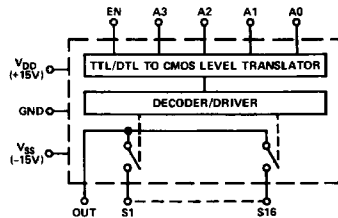


## AD7506/AD7507

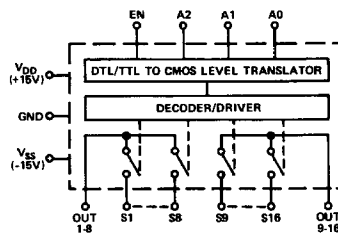
### FEATURES

- RON: 300Ω**
- Power Dissipation: 1.5mW**
- TTL/DTL/CMOS Direct Interface**
- Break-Before-Make Switching**
- Standard 28-Pin DIPs and 28-Terminal Surface Mount Packages**

### FUNCTIONAL DIAGRAMS



AD7506



AD7507

### GENERAL DESCRIPTION

The AD7506 is a monolithic CMOS 16-channel analog multiplexer packaged in a 28-pin DIP or a 28-terminal surface mount package. It switches a common output to one of 16 inputs, depending on the state of four address lines and an "enable." The AD7507 is identical to the AD7506 except it has two outputs switched to two of 16 inputs depending on three binary address states and an "enable."

### ABSOLUTE MAXIMUM RATINGS\*

( $T_A = +25^\circ\text{C}$ unless otherwise noted)	
$V_{DD} - \text{GND}$ . . . . .	+17V
$V_{SS} - \text{GND}$ . . . . .	-17V
V Between Any Switch Terminals (see Note 1) . . . . .	25V
Digital Input Voltage Range . . . . .	$V_{DD}$ to GND
Overvoltage at $V_{OUT}$ ( $V_S$ ) . . . . .	$V_{SS}, V_{DD}$
Switch Current ( $I_S$ , Continuous One Channel) . . . . .	20mA
Switch Current ( $I_S$ , Surge One Channel)	
1ms Duration, 10% Duty Cycle . . . . .	35mA
Power Dissipation (Any Package)	
Up to $+50^\circ\text{C}$ . . . . .	1000mW
Derates above $+50^\circ\text{C}$ by . . . . .	10mW/ $^\circ\text{C}$
Operating Temperature	
Commercial (KN Versions) . . . . .	0 to $+70^\circ\text{C}$
Industrial (KQ Versions) . . . . .	$-25^\circ\text{C}$ to $+85^\circ\text{C}$
Extended (TQ, TE Versions) . . . . .	$-55^\circ\text{C}$ to $+125^\circ\text{C}$
Storage Temperature . . . . .	$-65^\circ\text{C}$ to $+150^\circ\text{C}$
Lead Temperature (Soldering, 10sec) . . . . .	$+300^\circ\text{C}$

### CAUTION:

<sup>1</sup>Do not apply voltage higher than  $V_{DD}$  and  $V_{SS}$  to any other terminal, especially when  $V_{SS} = V_{DD} = 0\text{V}$  all other pins should be at 0V.

<sup>2</sup>The digital control inputs are diode protected; however, permanent damage may occur on unconnected units under high energy electrostatic fields. Keep unused units in conductive foam at all times.

\*Stresses above those listed under "Absolute Maximum Ratings" may cause permanent damage to the device. This is a stress rating only and functional operation of the device at these or any other conditions above those indicated in the operational sections of this specification is not implied. Exposure to absolute maximum rating conditions for extended periods may affect device reliability. Only one Absolute Maximum Rating may be applied at any one time.

### ORDERING GUIDE

Model <sup>1</sup>	Temperature Range	Package Option <sup>2</sup>
AD7506KN	$0^\circ\text{C}$ to $+70^\circ\text{C}$	N-28
AD7506KQ	$-25^\circ\text{C}$ to $+85^\circ\text{C}$	Q-28
AD7506TQ	$-55^\circ\text{C}$ to $+125^\circ\text{C}$	Q-28
AD7506TE	$-55^\circ\text{C}$ to $+125^\circ\text{C}$	E-28A
AD7507KN	$0^\circ\text{C}$ to $+70^\circ\text{C}$	N-28
AD7507KQ	$-25^\circ\text{C}$ to $+85^\circ\text{C}$	Q-28
AD7507TQ	$-55^\circ\text{C}$ to $+125^\circ\text{C}$	Q-28
AD7507TE	$-55^\circ\text{C}$ to $+125^\circ\text{C}$	E-28A

### NOTES

<sup>1</sup>To order MIL-STD-883, Class B, processed parts, add/883B to part number. See Analog Devices Military Products Databook (1990) for military data sheet.

<sup>2</sup>N = Plastic DIP; Q = Cerdip; E = Leadless Ceramic Chip Carrier (LCCC). For outline information see Package Information section.

# AD7506/AD7507 — SPECIFICATIONS ( $V_{DD} = +15V$ , $V_{SS} = -15V$ unless otherwise noted.)

Parameter	Version <sup>1</sup>	Switch Condition	@ +25°C	Over Specified Temperature Range	Test Conditions	
<b>ANALOG SWITCH</b>						
$R_{ON}$	K T	ON ON	300Ω typ, 450Ω max 400Ω max	550Ω max 500Ω max	$V_S = -10V$ to $+10V$ , $I_S = 1mA$	
$R_{ON}$ vs. $V_S$	All	ON	15% typ		$V_S = 0V$ , $I_S = 1mA$	
$R_{ON}$ vs. Temperature	All	ON	0.5%/°C typ			
$\Delta R_{ON}$ Between Switches	All	ON	4% typ			
$R_{ON}$ vs. Temperature Between Switches	All	ON	0.05%/°C typ			
$I_S$ (OFF)	K T	OFF OFF	0.05nA typ, 5nA max 0.05nA typ, 1nA max	50nA max 50nA max	$V_S = -10V$ , $V_{OUT} = +10V$ and $V_S = +10V$ , $V_{OUT} = -10V$ "Enable" Low	
$I_{OUT}$ (OFF)	AD7506	K T	OFF OFF	0.3nA typ, 20nA max 0.3nA typ, 10nA max	500nA max 500nA max	
	AD7507	K T	OFF OFF	0.3nA typ, 10nA max 0.3nA typ, 5nA max	250nA max 250nA max	
$I_{OUT} - I_S$ (Any Switch ON)	AD7506	K T	ON ON	0.3nA typ, 20nA max 0.3nA typ, 10nA max	500nA max 500nA max	$V_S = 0V$
	AD7507	K T	ON ON	0.3nA typ, 10nA max 0.3nA typ, 5nA max	250nA max 250nA max	
<b>DIGITAL CONTROL</b>						
$V_{INL}$	All			0.8V max		
$V_{INH}$	All			2.4V min		
$I_{INL}$ or $I_{INH}$	All		10μA max	30μA max		
$C_{IN}$	All		3pF typ			
<b>DYNAMIC CHARACTERISTICS<sup>2</sup></b>						
$t_{TRANSITION}$	All		700ns typ, 1000ns max		$V_{IN}$ : 0 to 3.0V	
$t_{OPEN}$	All		100ns typ			
$t_{ON}$ (En)	All		1.5μs max		$V_{EN}$ : 0 to 3.0V	
$t_{OFF}$ (En)	All		1μs max			
"OFF" Isolation	All		70dB typ		$V_{EN} = 0$ , $R_L = 200\Omega$ , $C_L = 3.0pF$ , $V_S = 3.0V$ rms, $f = 50kHz$	
$C_S$	All	OFF	5pF typ			
$C_{OUT}$	AD7506	All	OFF	40pF typ		
	AD7507	All	OFF	20pF typ		
$C_{S-OUT}$	All	OFF	0.5pF typ			
$C_{SS}$ Between Any Two Switches	All	OFF	0.5pF typ			
<b>POWER SUPPLY</b>						
$I_{DD}$	K T	OFF OFF	0.05mA typ, 1mA max 0.05mA typ, 1mA max	2mA max	All Digital Inputs Low	
	K T	OFF OFF	0.05mA typ, 1mA max 0.05mA typ, 1mA max	2mA max		
$I_{DD}$	K T	ON ON	0.3mA typ, 1mA max 0.3mA typ, 1mA max	2mA max	All Digital Inputs High	
	K T	ON ON	0.05mA typ, 1mA max 0.05mA typ, 1mA max	2mA max		

## NOTES

<sup>1</sup>KN Version specified for 0 to +70°C; KQ Version for -25°C to +85°C; and TQ, TE Versions for -55°C to +125°C.

<sup>2</sup>Sample tested to ensure compliance.

Specifications subject to change without notice.

## CAUTION

ESD (electrostatic discharge) sensitive device. The digital control inputs are diode protected; however, permanent damage may occur on unconnected devices subject to high energy electrostatic fields. Unused devices must be stored in conductive foam or shunts. The protective foam should be discharged to the destination socket before devices are removed.

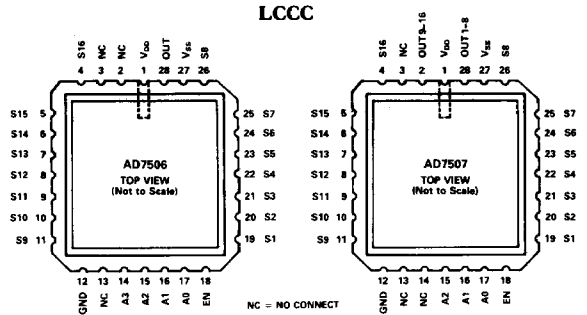
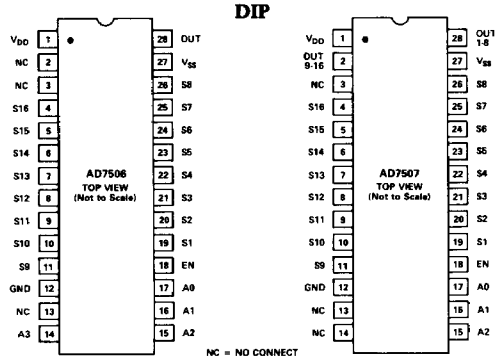


## TRUTH TABLES

AD7506						
A <sub>3</sub>	A <sub>2</sub>	A <sub>1</sub>	A <sub>0</sub>	E <sub>N</sub>	"ON"	
0	0	0	0	1	1	1
0	0	0	1	1	2	2
0	0	1	0	1	3	3
0	0	1	1	1	4	4
0	1	0	0	1	5	5
0	1	0	1	1	6	6
0	1	1	0	1	7	7
0	1	1	1	1	8	8
1	0	0	0	1	9	9
1	0	0	1	1	10	10
1	0	1	0	1	11	11
1	0	1	1	1	12	12
1	1	0	0	1	13	13
1	1	0	1	1	14	14
1	1	1	0	1	15	15
1	1	1	1	1	16	16
X	X	X	X	0	None	

AD7507				
A <sub>2</sub>	A <sub>1</sub>	A <sub>0</sub>	E <sub>N</sub>	"ON"
0	0	0	1	1 & 9
0	0	1	1	2 & 10
0	1	0	1	3 & 11
0	1	1	1	4 & 12
1	0	0	1	5 & 13
1	0	1	1	6 & 14
1	1	0	1	7 & 15
1	1	1	1	8 & 16
X	X	X	0	None

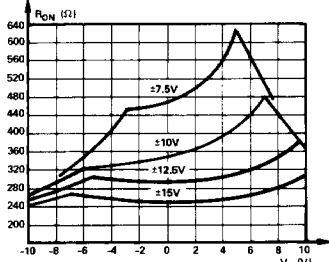
## PIN CONFIGURATIONS



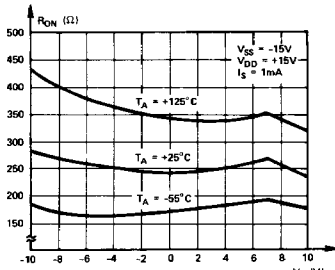
5

## Typical Performance Characteristics

### 1. R<sub>ON</sub> vs. V<sub>S</sub>

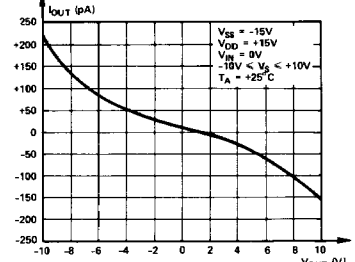


At Different Power Supplies

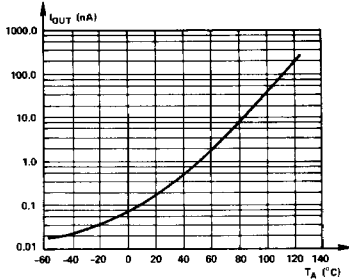


At Different Temperatures

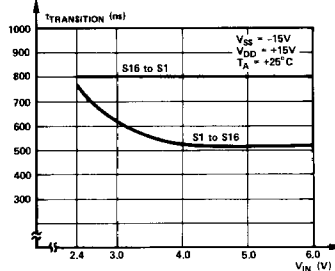
### 2. I<sub>OUT</sub> vs. V<sub>OUT</sub>



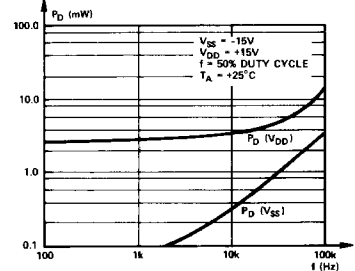
### 3. I<sub>OUT</sub> vs. T<sub>A</sub>



### 4. t<sub>TRANSITION</sub> vs. V<sub>IN</sub>



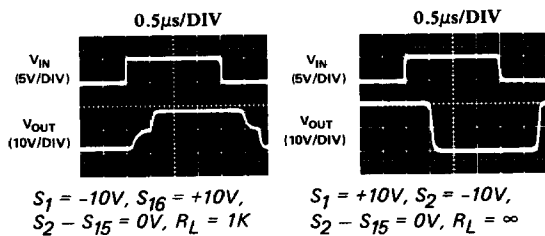
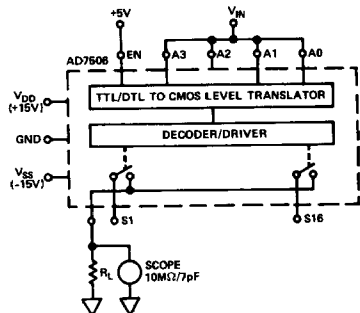
### 5. P<sub>D</sub> vs. Logic Frequency



# AD7506/AD7507

## TYPICAL SWITCHING CHARACTERISTICS

TEST CIRCUIT 1



TEST CIRCUIT 2

