



CGS | CGS SM

TE Internal #: 7-1879021-7

150 Ω, Wire Wound, Power Resistor, 5 %, 2 Termination, Taped & Reeled, 3 W, ±200 ppm/°C, Solder, Height .197 in [5 mm], CGS SM

[View on TE.com >](#)

Passive Components > Resistors > Surface Mount Resistors > SMD Power Resistor: 7 Watt, 0.10-500 Ohm



Resistor Type: **Power Resistor**

Number of Terminations: **2**

Packaging Method: **Taped & Reeled**

Passive Component Tolerance: **5 %**

Element Type: **Wire Wound**

[All SMD Power Resistor: 7 Watt, 0.10-500 Ohm \(229\)](#)

Features

Product Type Features

Resistor Type	Power Resistor
Element Type	Wire Wound

Configuration Features

Number of Resistors	1
---------------------	---

Electrical Characteristics

Operating Voltage	500 V
Passive Component Tolerance	5 %
Resistance Class	Up to 1kΩ
Resistance Value	150 Ω
Power Rating	3 W

Termination Features

Number of Terminations	2
Surface Mount Resistor Termination Type	Solder

Dimensions

Product Height	5 mm[.197 in]
Product Length	10.5 mm[.413 in]
Product Width	5.5 mm[.217 in]



Usage Conditions

Temperature Coefficient	±200 ppm/°C
-------------------------	-------------

Packaging Features

Packaging Method	Taped & Reeled
------------------	----------------

Product Compliance

[For compliance documentation, visit the product page on TE.com>](#)

EU RoHS Directive 2011/65/EU	Compliant
EU ELV Directive 2000/53/EC	Compliant
China RoHS 2 Directive MIIT Order No 32, 2016	No Restricted Materials Above Threshold
EU REACH Regulation (EC) No. 1907/2006	Current ECHA Candidate List: JUNE 2023 (235) Candidate List Declared Against: JUNE 2023 (235) Does not contain REACH SVHC
Halogen Content	Low Halogen - Br, Cl, F, I < 900 ppm per homogenous material. Also BFR/CFR/PVC Free
Solder Process Capability	Wave solder capable to 265°C

Product Compliance Disclaimer

This information is provided based on reasonable inquiry of our suppliers and represents our current actual knowledge based on the information they provided. This information is subject to change. The part numbers that TE has identified as EU RoHS compliant have a maximum concentration of 0.1% by weight in homogenous materials for lead, hexavalent chromium, mercury, PBB, PBDE, DBP, BBP, DEHP, DIBP, and 0.01% for cadmium, or qualify for an exemption to these limits as defined in the Annexes of Directive 2011/65/EU (RoHS2). Finished electrical and electronic equipment products will be CE marked as required by Directive 2011/65/EU. Components may not be CE marked. Additionally, the part numbers that TE has identified as EU ELV compliant have a maximum concentration of 0.1% by weight in homogenous materials for lead, hexavalent chromium, and mercury, and 0.01% for cadmium, or qualify for an exemption to these limits as defined in the Annexes of Directive 2000/53/EC (ELV). Regarding the REACH Regulation, the information TE provides on SVHC in articles for this part number is based on the latest European Chemicals Agency (ECHA) 'Guidance on requirements for substances in articles' posted at this URL: <https://echa.europa.eu/guidance-documents/guidance-on-reach>

Compatible Parts

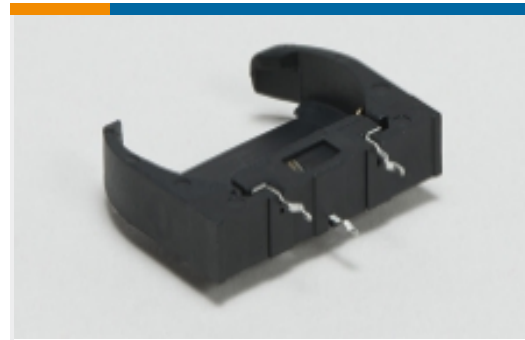
TE Part # CAT-C339-SM1
SMD Power Resistor: 7 Watt, 200-2M Ohm

TE Part # 1879233-9
SMW5 R22 5%

TE Part # 7-2176617-7
SMQW3W 150R 5%

TE Part # 9-1879021-2
SMW3 R15 1%

Also in the Series | CGS SM



Battery Holders(1)



Expanded Beam Fiber Optics(9)



LC Connectors(2)



RJ14 Connectors(1)



RJ22 Connectors(1)



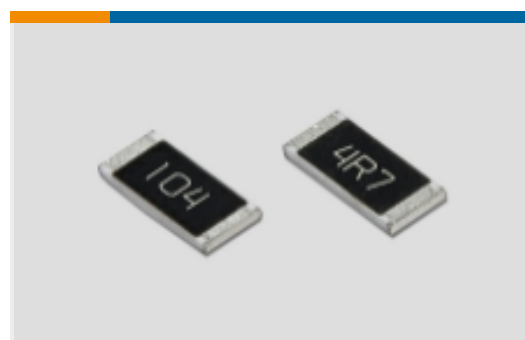
RJ25 Connectors(1)



RJ45 Connectors(3)



SC Connectors(2)

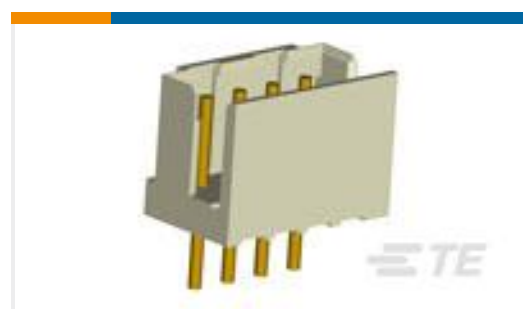


Surface Mount Resistors(554)

Customers Also Bought



TE Part #188744-1
CONTACT REC HE14 COSI TIN
PLATED



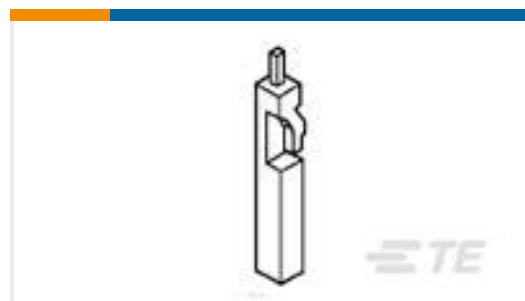
TE Part #292132-2
CT P/HDR BOX V 2P NAT



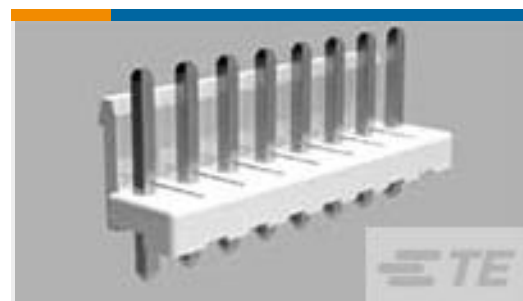
TE Part #6-440054-2
HPI 2.0MM,HDR,2POSVERTICAL,BLK



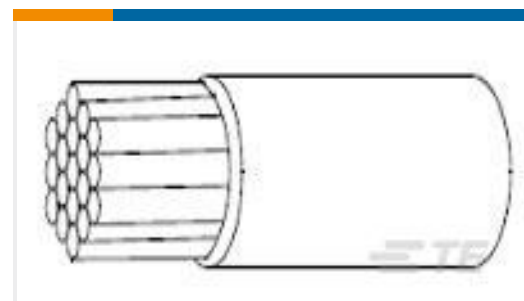
TE Part #925366-2
MOD 4 REC.HSG 1X02P



TE Part #926519-2
KEYING PLUG



TE Part #1-1123723-3
3.96 EP HDR ASSY 3P(NATURAL)



TE Part #216004-008
55A0111-22-6



TE Part #2182463001
55A0811-24-2



Documents

CAD Files

[3D PDF](#)

[3D](#)

Customer View Model

[ENG_CVM_CVM_7-1879021-7_BA.2d_dxf.zip](#)

English

Customer View Model

[ENG_CVM_CVM_7-1879021-7_BA.3d_igs.zip](#)

English

Customer View Model

[ENG_CVM_CVM_7-1879021-7_BA.3d_stp.zip](#)

English

By downloading the CAD file I accept and agree to the [Terms and Conditions](#) of use.

Datasheets & Catalog Pages

[1309350_PASSIVE_COMPONENT](#)

English

[SMD Moulded Power Resistor - Type SM Series - Tyco Electronics Passives](#)

English

[8-1773459-4_POWER_FILTERING_AND_RESISTIVE_SOLUTIONS_FOR_ELEVATORS_AND_ESCALATORS](#)

English