



CGS | CGS SMV

TE Internal #: 1-2176323-0

560K Ω , Metal Film, High Value/High Voltage Resistor, 5 %, 2 Termination, Taped & Reeled, 2 W, ± 200 ppm/ $^{\circ}\text{C}$, Solder, Height . 197 in [5 mm], CGS SMV

[View on TE.com >](#)

Passive Components > Resistors > Surface Mount Resistors



Resistor Type: **High Value/High Voltage Resistor**

Number of Terminations: 2

Packaging Method: **Taped & Reeled**

Passive Component Tolerance: **5 %**

Element Type: **Metal Film**

Features

Product Type Features

Resistor Type	High Value/High Voltage Resistor
Element Type	Metal Film

Configuration Features

Number of Resistors	1
---------------------	---

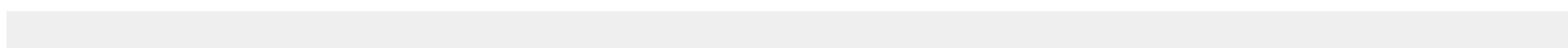
Electrical Characteristics

Passive Component Tolerance	5 %
Resistance Class	1k Ω – 1M Ω
Resistance Value	560K Ω
Power Rating	2 W

Termination Features

Number of Terminations	2
Surface Mount Resistor Termination Type	Solder

Dimensions





Product Height	5 mm[.197 in]
Product Length	10.5 mm[.413 in]
Product Width	5.5 mm[.217 in]

Usage Conditions

Temperature Coefficient	± 200 ppm/ $^{\circ}\text{C}$
-------------------------	-----------------------------------

Packaging Features

Packaging Method	Taped & Reeled
------------------	----------------

Product Compliance

[For compliance documentation, visit the product page on TE.com>](#)

EU RoHS Directive 2011/65/EU	Compliant
EU ELV Directive 2000/53/EC	Compliant
China RoHS 2 Directive MIIT Order No 32, 2016	No Restricted Materials Above Threshold
EU REACH Regulation (EC) No. 1907/2006	Current ECHA Candidate List: JUNE 2023 (235) Candidate List Declared Against: JUL 2021 (219) Does not contain REACH SVHC
Halogen Content	Low Halogen - Br, Cl, F, I < 900 ppm per homogenous material. Also BFR/CFR/PVC Free
Solder Process Capability	Reflow solder capable to 260 $^{\circ}\text{C}$

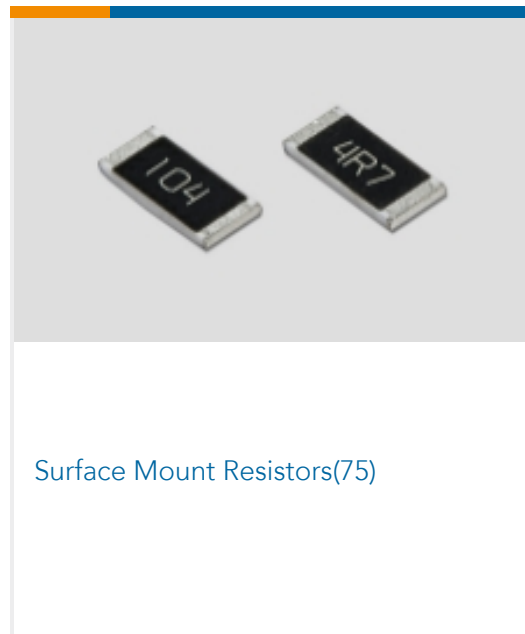
Product Compliance Disclaimer

This information is provided based on reasonable inquiry of our suppliers and represents our current actual knowledge based on the information they provided. This information is subject to change. The part numbers that TE has identified as EU RoHS compliant have a maximum concentration of 0.1% by weight in homogenous materials for lead, hexavalent chromium, mercury, PBB, PBDE, DBP, BBP, DEHP, DIBP, and 0.01% for cadmium, or qualify for an exemption to these limits as defined in the Annexes of Directive 2011/65/EU (RoHS2). Finished electrical and electronic equipment products will be CE marked as required by Directive 2011/65/EU. Components may not be CE marked. Additionally, the part numbers that TE has identified as EU ELV compliant have a maximum concentration of 0.1% by weight in homogenous materials for lead, hexavalent chromium, and mercury, and 0.01% for cadmium, or qualify for an exemption to these limits as defined in the Annexes of Directive 2000/53/EC (ELV). Regarding the REACH Regulation, the information TE provides on SVHC in articles for this part number is based on the latest European Chemicals Agency (ECHA) 'Guidance on requirements for substances in articles' posted at this URL: <https://echa.europa.eu/guidance-documents/guidance-on-reach>

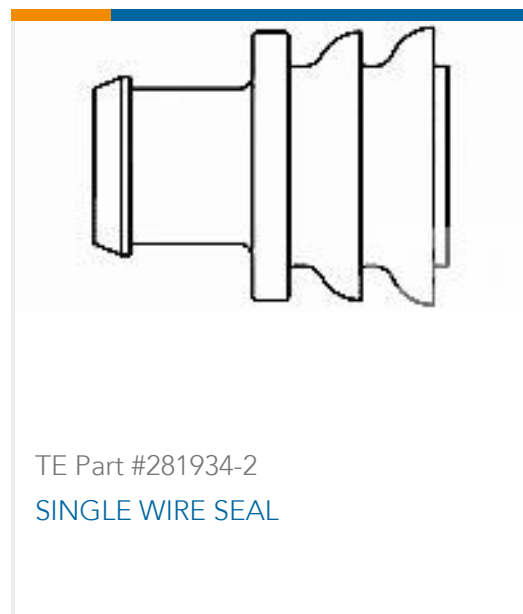
Compatible Parts



Also in the Series | CGS SMV



Customers Also Bought





Documents

Product Drawings

[SMV 2W 560K 5%](#)

English

CAD Files

[3D PDF](#)

3D

Customer View Model

[ENG_CVM_CVM_1-2176323-0_BA.2d_dxf.zip](#)

English

Customer View Model

[ENG_CVM_CVM_1-2176323-0_BA.3d_igs.zip](#)

English

Customer View Model

[ENG_CVM_CVM_1-2176323-0_BA.3d_stp.zip](#)

English

By downloading the CAD file I accept and agree to the [Terms and Conditions](#) of use.

Datasheets & Catalog Pages

[Metal glaze High Voltage SMD Resistor Type SMV series](#)

English