



Neohm | Neohm CRGP

TE Internal #: 2176327-9

47 Ω, Thick Film, General Purpose Resistor, 1 %, 2 Termination, 0805, Taped & Reeled, .33 W, ±100 ppm/°C, Solder, Height .022 in [.55 mm], Neohm CRGP

[View on TE.com >](#)

Passive Components > Resistors > Surface Mount Resistors



Resistor Type: **General Purpose Resistor**

Number of Terminations: **2**

Package Size Code: **0805**

Packaging Method: **Taped & Reeled**

Passive Component Tolerance: **1 %**

Features

Product Type Features

Resistor Type	General Purpose Resistor
Package Size Code	0805
Element Type	Thick Film

Configuration Features

Number of Resistors	1
---------------------	---

Electrical Characteristics

Operating Voltage	150 V
Passive Component Tolerance	1 %
Resistance Class	Up to 1kΩ
Resistance Value	47 Ω
Power Rating	.33 W

Termination Features

Number of Terminations	2
Surface Mount Resistor Termination Type	Solder

Dimensions

Product Height	.55 mm [.022 in]
Product Length	2 mm [.079 in]



Product Width	1.25 mm[.049 in]
---------------	------------------

Usage Conditions

Temperature Coefficient	± 100 ppm/ $^{\circ}\text{C}$
-------------------------	-----------------------------------

Packaging Features

Packaging Method	Taped & Reeled
------------------	----------------

Product Compliance

[For compliance documentation, visit the product page on TE.com>](#)

EU RoHS Directive 2011/65/EU	Compliant with Exemptions
EU ELV Directive 2000/53/EC	Compliant with Exemptions
China RoHS 2 Directive MIIT Order No 32, 2016	Restricted Materials Above Threshold
EU REACH Regulation (EC) No. 1907/2006	Current ECHA Candidate List: JUNE 2023 (235) Candidate List Declared Against: JUNE 2023 (235) Does not contain REACH SVHC
Halogen Content	Low Halogen - Br, Cl, F, I < 900 ppm per homogenous material. Also BFR/CFR/PVC Free
Solder Process Capability	Reflow solder capable to 260 $^{\circ}\text{C}$

Product Compliance Disclaimer

This information is provided based on reasonable inquiry of our suppliers and represents our current actual knowledge based on the information they provided. This information is subject to change. The part numbers that TE has identified as EU RoHS compliant have a maximum concentration of 0.1% by weight in homogenous materials for lead, hexavalent chromium, mercury, PBB, PBDE, DBP, BBP, DEHP, DIBP, and 0.01% for cadmium, or qualify for an exemption to these limits as defined in the Annexes of Directive 2011/65/EU (RoHS2). Finished electrical and electronic equipment products will be CE marked as required by Directive 2011/65/EU. Components may not be CE marked. Additionally, the part numbers that TE has identified as EU ELV compliant have a maximum concentration of 0.1% by weight in homogenous materials for lead, hexavalent chromium, and mercury, and 0.01% for cadmium, or qualify for an exemption to these limits as defined in the Annexes of Directive 2000/53/EC (ELV). Regarding the REACH Regulation, the information TE provides on SVHC in articles for this part number is based on the latest European Chemicals Agency (ECHA) 'Guidance on requirements for substances in articles' posted at this URL: <https://echa.europa.eu/guidance-documents/guidance-on-reach>

Compatible Parts




TE Part # 2176326-2
CRGP 0603 12R 1%



TE Part # 5-2176327-4
CRGP 0805 270K 1%



TE Part # 2-2176328-3
CRGP 1206 680R 1%



TE Part # 6-2176330-1
CRGP 2010 1M0 1%



TE Part # 4-2176331-9
CRGP 2512 100K 1%

Also in the Series | Neohm CRGP



Surface Mount Resistors(432)

Customers Also Bought



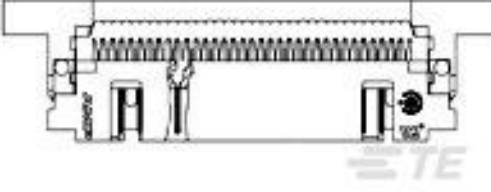
TE Part #3-917659-5
Receptacle and Tab Housing: 5.08 mm Pitch, 250-600V



TE Part #1-917511-3
DYNAMIC D-3 REC CONT. 2L AU 0.76 L/P



TE Part #3-2176231-5
3522 270R 1% 3W



TE Part #5111448-1
010 UNIV I/O 30DP SLOT



TE Part #7-1676481-4
CPF 0603 7K5 0.1% 25PPM 1K RL



TE Part #6-1625890-2
2W SM M/OX 5% 5K6



TE Part #7-1676123-0
1/2W SM M/OX 5% 620R



Documents

Product Drawings

[CRGP 0805 47R 1%](#)

English

CAD Files

[3D PDF](#)

3D

Customer View Model

[ENG_CVM_CVM_2176327-9_BA.2d_dxf.zip](#)

English

Customer View Model

[ENG_CVM_CVM_2176327-9_BA.3d_igs.zip](#)

English

Customer View Model

[ENG_CVM_CVM_2176327-9_BA.3d_stp.zip](#)

English

By downloading the CAD file I accept and agree to the [Terms and Conditions](#) of use.

Datasheets & Catalog Pages

[CRGP Data Sheet](#)

English