



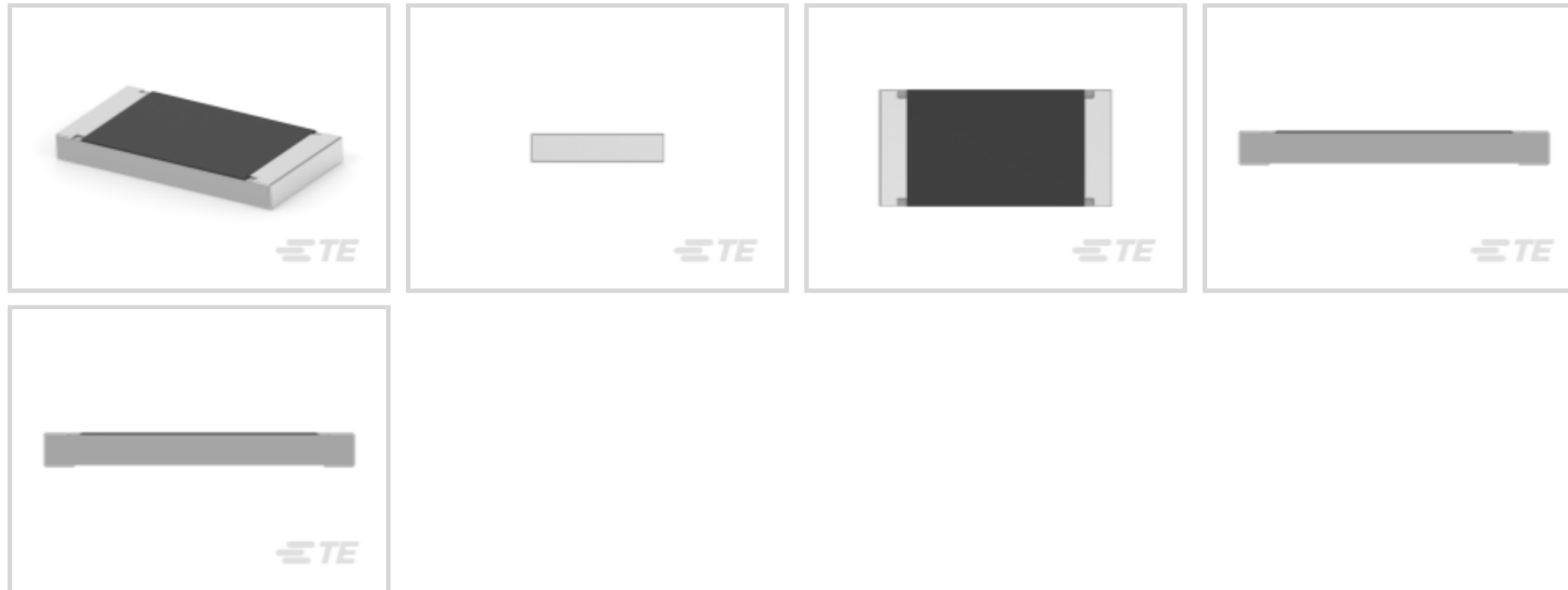
Neohm | Neohm CRGCQ

TE Internal #: 2-2176348-4

6.8K  $\Omega$ , Thick Film, General Purpose Resistor, 5 %, 2 Termination, 2010, Taped & Reeled, .75 W,  $\pm 100$  ppm/ $^{\circ}\text{C}$ , Solder, Neohm CRGCQ

[View on TE.com >](#)

Passive Components > Resistors > Surface Mount Resistors



Resistor Type: **General Purpose Resistor**

Number of Terminations: 2

Package Size Code: 2010

Packaging Method: **Taped & Reeled**

Passive Component Tolerance: 5 %

## Features

### Product Type Features

Resistor Type	General Purpose Resistor
Package Size Code	2010
Element Type	Thick Film

### Configuration Features

Number of Resistors	1
---------------------	---

### Electrical Characteristics

Operating Voltage	200 V
Passive Component Tolerance	5 %
Resistance Class	1k $\Omega$ – 1M $\Omega$
Resistance Value	6.8K $\Omega$
Power Rating	.75 W

### Termination Features

Number of Terminations	2
Surface Mount Resistor Termination Type	Solder



### Dimensions

Product Height	.55 mm[.022 in]
Product Length	5 mm[.197 in]
Product Width	2.5 mm[.098 in]

### Usage Conditions

Temperature Coefficient	$\pm 100$ ppm/ $^{\circ}\text{C}$
-------------------------	-----------------------------------

### Packaging Features

Packaging Method	Taped & Reeled
------------------	----------------

### Product Compliance

[For compliance documentation, visit the product page on TE.com>](#)

EU RoHS Directive 2011/65/EU	Compliant with Exemptions
EU ELV Directive 2000/53/EC	Compliant with Exemptions
China RoHS 2 Directive MIIT Order No 32, 2016	Restricted Materials Above Threshold
EU REACH Regulation (EC) No. 1907/2006	Current ECHA Candidate List: JUNE 2023 (235) Candidate List Declared Against: JUNE 2023 (235) Does not contain REACH SVHC
Halogen Content	Low Halogen - Br, Cl, F, I < 900 ppm per homogenous material. Also BFR/CFR/PVC Free
Solder Process Capability	Reflow solder capable to 260 $^{\circ}\text{C}$

#### Product Compliance Disclaimer

This information is provided based on reasonable inquiry of our suppliers and represents our current actual knowledge based on the information they provided. This information is subject to change. The part numbers that TE has identified as EU RoHS compliant have a maximum concentration of 0.1% by weight in homogenous materials for lead, hexavalent chromium, mercury, PBB, PBDE, DBP, BBP, DEHP, DIBP, and 0.01% for cadmium, or qualify for an exemption to these limits as defined in the Annexes of Directive 2011/65/EU (RoHS2). Finished electrical and electronic equipment products will be CE marked as required by Directive 2011/65/EU. Components may not be CE marked. Additionally, the part numbers that TE has identified as EU ELV compliant have a maximum concentration of 0.1% by weight in homogenous materials for lead, hexavalent chromium, and mercury, and 0.01% for cadmium, or qualify for an exemption to these limits as defined in the Annexes of Directive 2000/53/EC (ELV). Regarding the REACH Regulation, the information TE provides on SVHC in articles for this part number is based on the latest European Chemicals Agency (ECHA) 'Guidance on requirements for substances in articles' posted at this URL: <https://echa.europa.eu/guidance-documents/guidance-on-reach>

### Compatible Parts




TE Part # 1-2176341-7  
CRGCQ 0805 220R 1%



TE Part # 1-2176345-2  
CRGCQ 1210 82R 1%



TE Part # 1-2176347-7  
CRGCQ 2010 220R 1%



TE Part # 2176349-4  
CRGCQ 2512 18R 1%



TE Part # 1-2176350-2  
CRGCQ 2512 68R 5%

### Also in the Series | Neohm CRGCQ



Surface Mount Resistors(728)

### Customers Also Bought



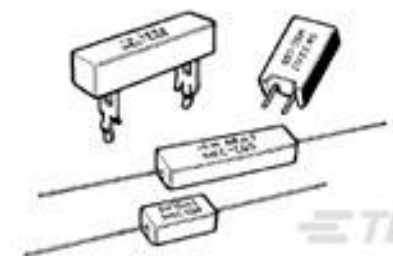
TE Part #178327-5  
DYNAMIC D/ROW HDR 16P V ASSY



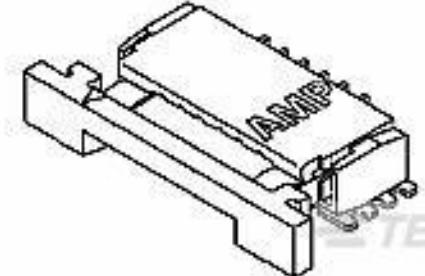
TE Part #1-917337-5  
Header Assembly: Wire-to-Board, 15A, gold or tin plated



TE Part #1-1734592-6  
FPC CONN. 0.5MM PITCH B/C, 16P



TE Part #1-1623795-5  
SQP10 68R 5% WIRE



TE Part #1-84952-6  
1MM FPC HORZ.BTTM CONT.ASS.16P



TE Part #4-1625892-9  
3W SM M/OX 5% 3R3



TE Part #3-1393239-8  
RT174012



TE Part #1860990-1  
RT78601, RELAY SOCKET PCB 3.5MM



## Documents

### Product Drawings

[CRGCO 2010 6K8 5%](#)

English

### CAD Files

[3D PDF](#)

3D

Customer View Model

[ENG\\_CVM\\_CVM\\_2-2176348-4\\_BA.2d\\_dxf.zip](#)

English

Customer View Model

[ENG\\_CVM\\_CVM\\_2-2176348-4\\_BA.3d\\_igs.zip](#)

English

Customer View Model

[ENG\\_CVM\\_CVM\\_2-2176348-4\\_BA.3d\\_stp.zip](#)

English

By downloading the CAD file I accept and agree to the [Terms and Conditions](#) of use.