

FSM1LPA ✓ ACTIVE

Alcoswitch | Alcoswitch FSM1LP

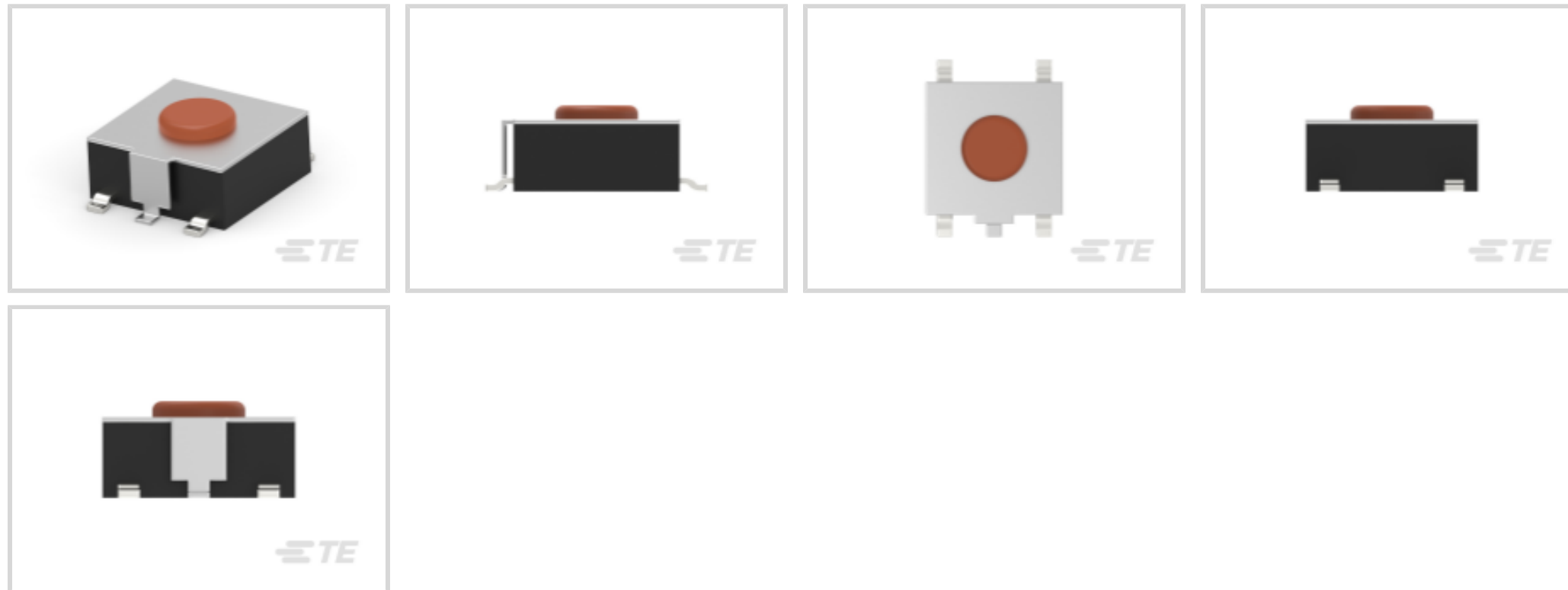
TE Internal #: 1-1437565-7

Tactile Switches, Round Actuator Style, NO, Copper Alloy, Silver,
Low Profile, 50mA Contact Current Rating, Alcoswitch FSM1LP

[View on TE.com >](#)



Switches > Tactile Switches



Actuator Style: **Round**

Operating Function: **NO**

Contact Base Material: **Copper Alloy**

Switch Contact Plating Material: **Silver**

Low Profile: **With**

Features

Product Type Features

Switch Connection Type	Printed Circuit Board
Leg Style	Standard
Illuminated	Without
Actuator Style	Round

Configuration Features

ESD Grounding Terminal	With
Ganged	With
Switch Feedback Type	Tactile
Operating Function	NO
Support Bracket	Without
Configuration (Pole-Throw)	Single Pole - Single Throw
Number of Actuators	Single

Electrical Characteristics

Operating Voltage	24 VDC
-------------------	--------



Body Features

Cover Material	Nickel, Silver
Actuator Force	260 g[9.17 oz]
Case Material	PPS
Actuator Profile	Extended
Actuator Material	PPS
Case Color	Black
Product Orientation	Vertical
Actuator Color	Brown

Contact Features

Contact Base Material	Copper Alloy
Switch Contact Plating Material	Silver
Contact Current Rating	50 mA

Termination Features

Termination Method to Printed Circuit Board	Surface Mount
---	---------------

Housing Features

Low Profile	With
Process Sealed	No

Dimensions

Actuator Length	.27 mm[.01 in]
Button Width	2.99 mm[.118 in]
	.122 in

Usage Conditions

Operating Temperature Range	-35 – 85 °C
-----------------------------	-------------

Packaging Features

Packaging Method	Loose Piece
------------------	-------------

Product Compliance

[For compliance documentation, visit the product page on TE.com>](#)

EU RoHS Directive 2011/65/EU	Compliant
EU ELV Directive 2000/53/EC	Compliant
China RoHS 2 Directive MIIT Order No 32, 2016	No Restricted Materials Above Threshold



EU REACH Regulation (EC) No. 1907/2006

Current ECHA Candidate List: JUNE 2023 (235)

Candidate List Declared Against: JUNE 2023 (235)

Does not contain REACH SVHC

Halogen Content

BFR/CFR/PVC Free, but Br/Cl >900 ppm in other sources.

Solder Process Capability

Reflow solder capable to 260°C

Product Compliance Disclaimer

This information is provided based on reasonable inquiry of our suppliers and represents our current actual knowledge based on the information they provided. This information is subject to change. The part numbers that TE has identified as EU RoHS compliant have a maximum concentration of 0.1% by weight in homogenous materials for lead, hexavalent chromium, mercury, PBB, PBDE, DBP, BBP, DEHP, DIBP, and 0.01% for cadmium, or qualify for an exemption to these limits as defined in the Annexes of Directive 2011/65/EU (RoHS2). Finished electrical and electronic equipment products will be CE marked as required by Directive 2011/65/EU. Components may not be CE marked. Additionally, the part numbers that TE has identified as EU ELV compliant have a maximum concentration of 0.1% by weight in homogenous materials for lead, hexavalent chromium, and mercury, and 0.01% for cadmium, or qualify for an exemption to these limits as defined in the Annexes of Directive 2000/53/EC (ELV). Regarding the REACH Regulation, the information TE provides on SVHC in articles for this part number is based on the latest European Chemicals Agency (ECHA) 'Guidance on requirements for substances in articles' posted at this URL: <https://echa.europa.eu/guidance-documents/guidance-on-reach>

Compatible Parts



TE Part # 1825910-6
FSM4JH=6MM TACT SWITCH, HIGH TEMP



TE Part # 2-1825910-7
FSM14JH=6MM TACT SWITCH, HIGH TEMP



TE Part # 4-1437565-2
FSM4JSMATR=TACT SWITCH 6X6MIL



TE Part # 3-1437565-0
FSM2JSMATR=ON T/R



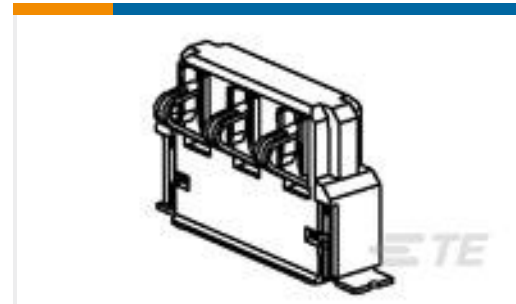
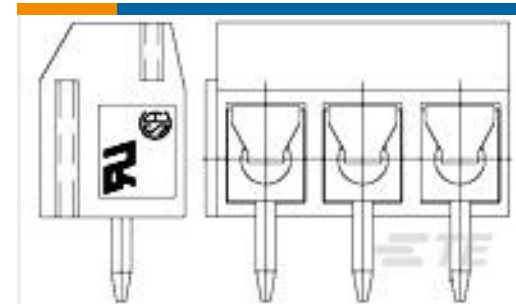
TE Part # 2-1977223-8
FSM14JSMAS=6MM TACT SWITCH, SMT 160gf

Also in the Series | [Alcoswitch FSM1LP](#)



Tactile Switches(4)

Customers Also Bought

TE Part #6609008-7
1EJHP=F8038TE Part #3-1879021-9
SMW3 3R9 5%TE Part #1827928-1
LEAF BATTERY CONN 3POS. P=3.2,TE Part #1776493-2
2P TB ,90deg,VT,5.08mm,Blue,w
/interlockTE Part #9-1971846-3
3P, RAST 5 Tab Header, THVTE Part #YDTS20W15-97SNV001
RECP ASSYTE Part #1-1478907-0
SMA STR PLG S/CLMP RG58 GSS

Documents

Product Drawings

[FSM1LPA=TACT SWITCH 6X6 MIL SM](#)

English

CAD Files

Customer View Model

[ENG_CVM_1-1437565-7_D1.3d_igs.zip](#)

English

Customer View Model

[ENG_CVM_1-1437565-7_D1.3d_stp.zip](#)

English

Customer View Model

[ENG_CVM_1-1437565-7_D1.2d_dxf.zip](#)

English

3D PDF

English

Customer View Model



[ENG_CVM_CVM_1-1437565-7_E.3d_igs.zip](#)

English

Customer View Model

[ENG_CVM_CVM_1-1437565-7_E.3d_stp.zip](#)

English

Customer View Model

[ENG_CVM_CVM_1-1437565-7_E.2d_dxf.zip](#)

English

3D PDF

3D

By downloading the CAD file I accept and agree to the [Terms and Conditions](#) of use.

Datasheets & Catalog Pages

[SWITCHES_CORE_PROGRAM_CATALOG](#)

English

[Products for Mobile Equipment](#)

English