

RN73C1E1K0BTG ✓ ACTIVE

Holsworthy | Holsworthy RN73

TE Internal #: 7-1879128-6

1K Ω , Thin Film, Precision Resistor, .1 %, 2 Termination, 0402, Cut Tape Length, .063 W, ± 10 ppm/ $^{\circ}\text{C}$, Solder, Height .012 in [.3 mm], Holsworthy RN73

[View on TE.com >](#)



Passive Components > Resistors > Surface Mount Resistors



Resistor Type: **Precision Resistor**

Number of Terminations: **2**

Package Size Code: **0402**

Packaging Method: **Cut Tape Length**

Passive Component Tolerance: **.1 %**

Features

Product Type Features

| | |
|-------------------|--------------------|
| Resistor Type | Precision Resistor |
| Package Size Code | 0402 |
| Element Type | Thin Film |

Configuration Features

| | |
|---------------------|---|
| Number of Resistors | 1 |
|---------------------|---|

Electrical Characteristics

| | |
|-----------------------------|---------------------------|
| Operating Voltage | 25 V |
| Passive Component Tolerance | .1 % |
| Resistance Class | 1k Ω – 1M Ω |
| Resistance Value | 1K Ω |
| Power Rating | .063 W |

Termination Features

| | |
|---|--------|
| Number of Terminations | 2 |
| Surface Mount Resistor Termination Type | Solder |

Dimensions

| | |
|----------------|----------------|
| Product Height | .3 mm[.012 in] |
| Product Length | 1 mm[.039 in] |



| | |
|---------------|---------------|
| Product Width | .5 mm[.02 in] |
|---------------|---------------|

Usage Conditions

| | |
|-------------------------|----------------------------|
| Temperature Coefficient | ± 10 ppm/ $^{\circ}$ C |
|-------------------------|----------------------------|

Packaging Features

| | |
|------------------|-----------------|
| Packaging Method | Cut Tape Length |
|------------------|-----------------|

Product Compliance

[For compliance documentation, visit the product page on TE.com>](#)

| | |
|---|---|
| EU RoHS Directive 2011/65/EU | Compliant |
| EU ELV Directive 2000/53/EC | Compliant |
| China RoHS 2 Directive MIIT Order No 32, 2016 | No Restricted Materials Above Threshold |
| EU REACH Regulation (EC) No. 1907/2006 | Current ECHA Candidate List: JUNE 2023 (235) Candidate List Declared Against: JUNE 2023 (235) Does not contain REACH SVHC |
| Halogen Content | Low Halogen - Br, Cl, F, I < 900 ppm per homogenous material. Also BFR/CFR/PVC Free |
| Solder Process Capability | Reflow solder capable to 260 $^{\circ}$ C |

Product Compliance Disclaimer

This information is provided based on reasonable inquiry of our suppliers and represents our current actual knowledge based on the information they provided. This information is subject to change. The part numbers that TE has identified as EU RoHS compliant have a maximum concentration of 0.1% by weight in homogenous materials for lead, hexavalent chromium, mercury, PBB, PBDE, DBP, BBP, DEHP, DIBP, and 0.01% for cadmium, or qualify for an exemption to these limits as defined in the Annexes of Directive 2011/65/EU (RoHS2). Finished electrical and electronic equipment products will be CE marked as required by Directive 2011/65/EU. Components may not be CE marked. Additionally, the part numbers that TE has identified as EU ELV compliant have a maximum concentration of 0.1% by weight in homogenous materials for lead, hexavalent chromium, and mercury, and 0.01% for cadmium, or qualify for an exemption to these limits as defined in the Annexes of Directive 2000/53/EC (ELV). Regarding the REACH Regulation, the information TE provides on SVHC in articles for this part number is based on the latest European Chemicals Agency (ECHA) 'Guidance on requirements for substances in articles' posted at this URL: <https://echa.europa.eu/guidance-documents/guidance-on-reach>

Compatible Parts




TE Part # 1676153-2
RN 0805 10K 0.1% 10PPM 1KRL



TE Part # 1614349-9
RN 0603 10K 0.1% 10PPM CUT LENGTH



TE Part # 1676153-3
RN 0805 10K 0.1% 10PPM 5KRL



TE Part # 1-1676142-3
RN 0805 100K 0.01% 10PPM 5K RL



TE Part # 8-1879128-4
RN 0402 1K05 0.1% 10PPM 5K RL



TE Part # 8-1879128-7
RN 0402 1K07 0.1% 10PPM 5K RL



TE Part # 9-1879128-3
RN 0402 1K13 0.1% 10PPM 5K RL



TE Part # 9-1879128-9
RN 0402 1K18 0.1% 10PPM 5K RL



TE Part # 9-1879128-0
RN 0402 1K1 0.1% 10PPM 5K RL



TE Part # 1879128-3
RN 0402 549R 0.1% 10PPM 5K RL



TE Part # 1879128-9
RN 0402 576R 0.1% 10PPM 5K RL



TE Part # 1-1879128-2
RN 0402 590R 0.1% 10PPM 5K RL



TE Part # 8-1879130-4
RN 0402 5K11 0.1% 10PPM 5K RL



TE Part # 1-1879128-5
RN 0402 604R 0.1% 10PPM 5K RL



TE Part # 1-1879128-8
RN 0402 619R 0.1% 10PPM 5K RL



TE Part # 2-1879128-1
RN 0402 634R 0.1% 10PPM 5K RL



TE Part # 2-1879128-4
RN 0402 649R 0.1% 10PPM 5K RL



TE Part # 2-1879128-7
RN 0402 665R 0.1% 10PPM 5K RL



TE Part # 3-1879128-0
RN 0402 681R 0.1% 10PPM 5K RL

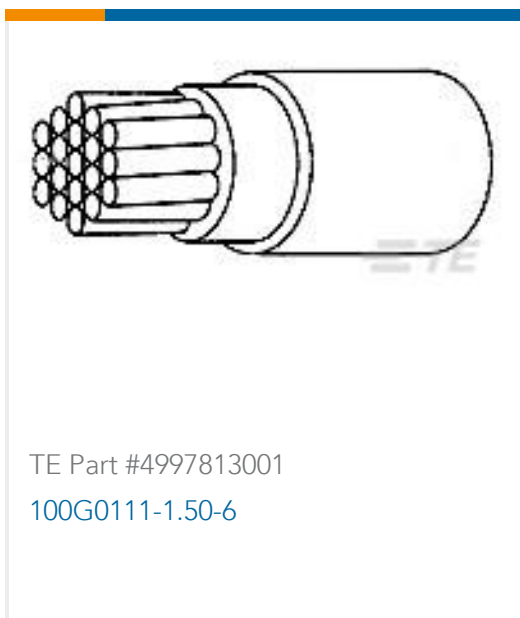


TE Part # 3-1879128-3
RN 0402 698R 0.1% 10PPM 5K RL

Also in the Series | **Holsworthy RN73**



Customers Also Bought



Documents

Product Drawings

[RN 0402 1K0 0.1% 10PPM CUT LENGTH](#)

English

CAD Files

[3D PDF](#)

3D

Customer View Model

[ENG_CVM_CVM_7-1879128-6_BA.2d_dxf.zip](#)

English

Customer View Model

[ENG_CVM_CVM_7-1879128-6_BA.3d_igs.zip](#)

English

Customer View Model

[ENG_CVM_CVM_7-1879128-6_BA.3d_stp.zip](#)

English

By downloading the CAD file I accept and agree to the [Terms and Conditions](#) of use.



Datasheets & Catalog Pages

[1309350_PASSIVE_COMPONENT](#)

English

[High Precision Resistors \(SMD\) - Type RN73 Series - Tyco Electronics Passives](#)

English

[8-1773459-4_POWER_FILTERING_AND_RESISTIVE_SOLUTIONS_FOR_ELEVATORS_AND_ESCALATORS](#)

English