



Neohm | Neohm CRGCQ

TE Internal #: 1-2176343-1

68 Ω, Thick Film, General Purpose Resistor, 1 %, 2 Termination, 1206, Taped & Reeled, .25 W, ±200 ppm/°C, Solder, Height .022 in [.55 mm], Neohm CRGCQ

[View on TE.com >](#)

Passive Components > Resistors > Surface Mount Resistors



Resistor Type: **General Purpose Resistor**

Number of Terminations: **2**

Package Size Code: **1206**

Packaging Method: **Taped & Reeled**

Passive Component Tolerance: **1 %**

## Features

### Product Type Features

Resistor Type	General Purpose Resistor
Package Size Code	1206
Element Type	Thick Film

### Configuration Features

Number of Resistors	1
---------------------	---

### Electrical Characteristics

Operating Voltage	200 V
Passive Component Tolerance	1 %
Resistance Class	Up to 1kΩ
Resistance Value	68 Ω
Power Rating	.25 W

### Termination Features

Number of Terminations	2
Surface Mount Resistor Termination Type	Solder

### Dimensions

Product Height	.55 mm[.022 in]
Product Length	3.1 mm[.122 in]



Product Width	1.55 mm[.061 in]
---------------	------------------

### Usage Conditions

Temperature Coefficient	$\pm 200$ ppm/ $^{\circ}\text{C}$
-------------------------	-----------------------------------

### Packaging Features

Packaging Method	Taped & Reeled
------------------	----------------

## Product Compliance

[For compliance documentation, visit the product page on TE.com>](#)

EU RoHS Directive 2011/65/EU	Compliant with Exemptions
EU ELV Directive 2000/53/EC	Compliant with Exemptions
China RoHS 2 Directive MIIT Order No 32, 2016	Restricted Materials Above Threshold
EU REACH Regulation (EC) No. 1907/2006	Current ECHA Candidate List: JUNE 2023 (235) Candidate List Declared Against: JUNE 2023 (235) Does not contain REACH SVHC
Halogen Content	Not Low Halogen - contains Br or Cl > 900 ppm.
Solder Process Capability	Reflow solder capable to 260 $^{\circ}\text{C}$

#### Product Compliance Disclaimer

This information is provided based on reasonable inquiry of our suppliers and represents our current actual knowledge based on the information they provided. This information is subject to change. The part numbers that TE has identified as EU RoHS compliant have a maximum concentration of 0.1% by weight in homogenous materials for lead, hexavalent chromium, mercury, PBB, PBDE, DBP, BBP, DEHP, DIBP, and 0.01% for cadmium, or qualify for an exemption to these limits as defined in the Annexes of Directive 2011/65/EU (RoHS2). Finished electrical and electronic equipment products will be CE marked as required by Directive 2011/65/EU. Components may not be CE marked. Additionally, the part numbers that TE has identified as EU ELV compliant have a maximum concentration of 0.1% by weight in homogenous materials for lead, hexavalent chromium, and mercury, and 0.01% for cadmium, or qualify for an exemption to these limits as defined in the Annexes of Directive 2000/53/EC (ELV). Regarding the REACH Regulation, the information TE provides on SVHC in articles for this part number is based on the latest European Chemicals Agency (ECHA) 'Guidance on requirements for substances in articles' posted at this URL: <https://echa.europa.eu/guidance-documents/guidance-on-reach>

## Compatible Parts



TE Part # 1-2176341-7  
CRGCQ 0805 220R 1%

TE Part # 1-2176345-2  
CRGCQ 1210 82R 1%

TE Part # 1-2176347-7  
CRGCQ 2010 220R 1%

TE Part # 2176349-4  
CRGCQ 2512 18R 1%

TE Part # 1-2176350-2  
CRGCQ 2512 68R 5%

Also in the Series | **Neohm CRGCQ**

Surface Mount Resistors(728)

Customers Also Bought

TE Part #M5244-000005-01KPG  
Compact Industrial Pressure Transducer

TE Part #6-1415075-1  
PT558LC4

TE Part #2-2176342-6  
CRGCQ 0805 15K 5%

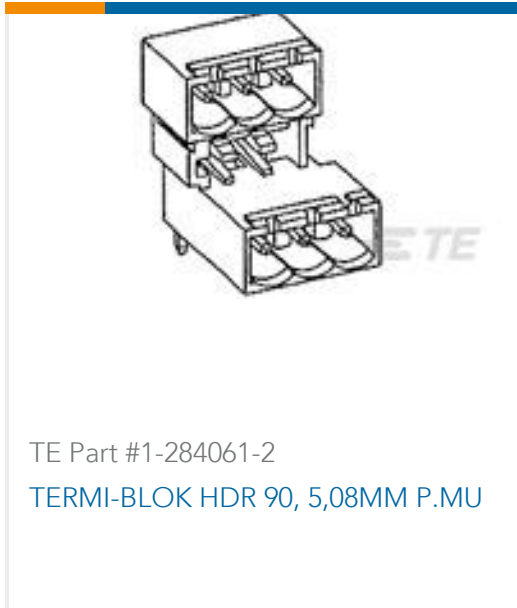
TE Part #5-2176343-9  
CRGCQ 1206 680K 1%

TE Part #1-2176343-2  
CRGCQ 1206 82R 1%

TE Part #2-2176328-3  
CRGP 1206 680R 1%

TE Part #7-1452671-2  
MCON 1.2 LL REC SWS AU

TE Part #2339204-4  
4POS,TAB0.5X0.4,HDR ASSY,90 DEG, COD A



## Documents

### Product Drawings

[CRGCQ 1206 68R 1%](#)

English

### CAD Files

[3D PDF](#)

3D

Customer View Model

[ENG\\_CVM\\_CVM\\_1-2176343-1\\_BA.2d\\_dxf.zip](#)

English

Customer View Model

[ENG\\_CVM\\_CVM\\_1-2176343-1\\_BA.3d\\_igs.zip](#)

English

Customer View Model

[ENG\\_CVM\\_CVM\\_1-2176343-1\\_BA.3d\\_stp.zip](#)

English

By downloading the CAD file I accept and agree to the [Terms and Conditions](#) of use.