



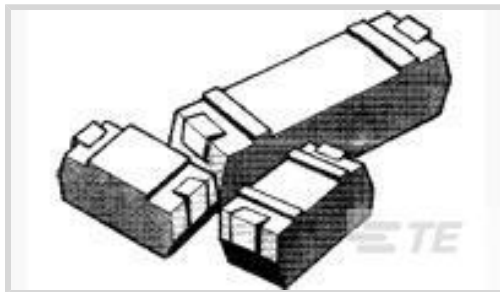
CGS | CGS SMD

TE Internal #: 1624250-6

.047 Ω, Foil, Low Ohmic Resistor, 5 %, 2 Termination, Taped & Reeled, 2 W, ±100 ppm/°C, Solder, Height .112 in [2.84 mm], CGS SMD

[View on TE.com >](#)

Passive Components > Resistors > Surface Mount Resistors



Resistor Type: **Low Ohmic Resistor**

Number of Terminations: **2**

Packaging Method: **Taped & Reeled**

Passive Component Tolerance: **5 %**

Element Type: **Foil**

Features

Product Type Features

Resistor Type	Low Ohmic Resistor
Element Type	Foil

Configuration Features

Number of Resistors	1
---------------------	---

Electrical Characteristics

Passive Component Tolerance	5 %
Resistance Class	Up to 1kΩ
Resistance Value	.047 Ω
Power Rating	2 W

Termination Features

Number of Terminations	2
Surface Mount Resistor Termination Type	Solder

Dimensions

Product Height	2.84 mm[.112 in]
Product Length	6.48 mm[.255 in]
Product Width	3.81 mm[.15 in]

Usage Conditions

Temperature Coefficient	±100 ppm/°C
-------------------------	-------------



Packaging Features

Packaging Method	Taped & Reeled
------------------	----------------

Product Compliance

[For compliance documentation, visit the product page on TE.com>](#)

EU RoHS Directive 2011/65/EU	Compliant
EU ELV Directive 2000/53/EC	Compliant
China RoHS 2 Directive MIIT Order No 32, 2016	No Restricted Materials Above Threshold
EU REACH Regulation (EC) No. 1907/2006	Current ECHA Candidate List: JUNE 2023 (235) Candidate List Declared Against: JUL 2021 (219) Does not contain REACH SVHC
Halogen Content	Low Halogen - Br, Cl, F, I < 900 ppm per homogenous material. Also BFR/CFR/PVC Free
Solder Process Capability	Reflow solder capable to 260°C

Product Compliance Disclaimer

This information is provided based on reasonable inquiry of our suppliers and represents our current actual knowledge based on the information they provided. This information is subject to change. The part numbers that TE has identified as EU RoHS compliant have a maximum concentration of 0.1% by weight in homogenous materials for lead, hexavalent chromium, mercury, PBB, PBDE, DBP, BBP, DEHP, DIBP, and 0.01% for cadmium, or qualify for an exemption to these limits as defined in the Annexes of Directive 2011/65/EU (RoHS2). Finished electrical and electronic equipment products will be CE marked as required by Directive 2011/65/EU. Components may not be CE marked. Additionally, the part numbers that TE has identified as EU ELV compliant have a maximum concentration of 0.1% by weight in homogenous materials for lead, hexavalent chromium, and mercury, and 0.01% for cadmium, or qualify for an exemption to these limits as defined in the Annexes of Directive 2000/53/EC (ELV). Regarding the REACH Regulation, the information TE provides on SVHC in articles for this part number is based on the latest European Chemicals Agency (ECHA) 'Guidance on requirements for substances in articles' posted at this URL: <https://echa.europa.eu/guidance-documents/guidance-on-reach>


Compatible Parts



TE Part # 1624250-3
CGS SL1 R01 5% TAPED



TE Part # 1624256-1
SL1 R033 5% TAPED



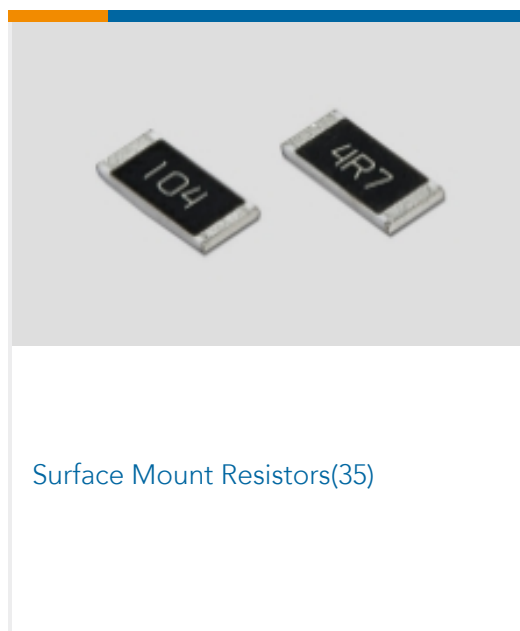
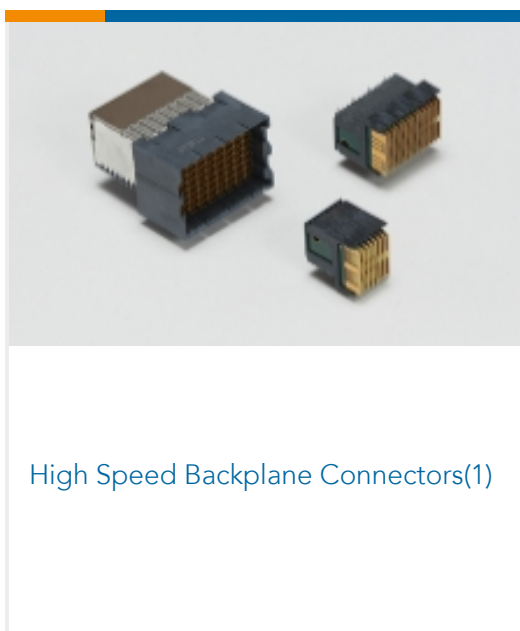
TE Part # 1624262-2
SL1 R068 5% TAPED



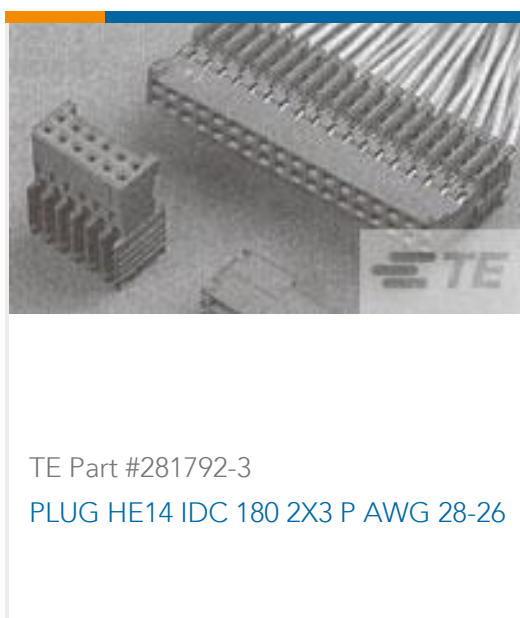
TE Part # 1624253-2
SL1 R01 5% TAPED



Also in the Series | CGS SMD



Customers Also Bought



Documents

[Product Drawings](#)
[CGS SL1 R047 5% TAPED](#)

English

CAD Files

[3D PDF](#)

[3D](#)



Customer View Model

[ENG_CVM_CVM_1624250-6_BA.2d_dxf.zip](#)

English

Customer View Model

[ENG_CVM_CVM_1624250-6_BA.3d_igs.zip](#)

English

Customer View Model

[ENG_CVM_CVM_1624250-6_BA.3d_stp.zip](#)

English

By downloading the CAD file I accept and agree to the [Terms and Conditions](#) of use.

Datasheets & Catalog Pages

[1309350_PASSIVE_COMPONENT](#)

English

[SMD Precision Current Sense Resistor - Type S Series - Tyco Electronics Passives](#)

English

[8-1773459-4_POWER_FILTERING_AND_RESISTIVE_SOLUTIONS_FOR_ELEVATORS_AND_ESCALATORS](#)

English