



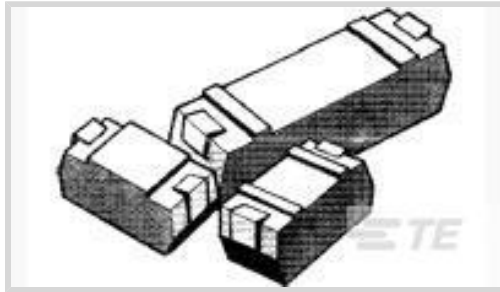
CGS | CGS SMD

TE Internal #: 1624250-3

.01 Ω, Foil, Low Ohmic Resistor, 5 %, 2 Termination, Taped & Reeled, 2 W, ±100 ppm/°C, Solder, Height .112 in [2.84 mm], CGS SMD

[View on TE.com >](#)

Passive Components > Resistors > Surface Mount Resistors



Resistor Type: **Low Ohmic Resistor**

Number of Terminations: **2**

Packaging Method: **Taped & Reeled**

Passive Component Tolerance: **5 %**

Element Type: **Foil**

**Features**

**Product Type Features**

Resistor Type	Low Ohmic Resistor
Element Type	Foil

**Configuration Features**

Number of Resistors	1
---------------------	---

**Electrical Characteristics**

Passive Component Tolerance	5 %
Resistance Class	Up to 1kΩ
Resistance Value	.01 Ω
Power Rating	2 W

**Termination Features**

Number of Terminations	2
Surface Mount Resistor Termination Type	Solder

**Dimensions**

Product Height	2.84 mm[.112 in]
Product Length	6.48 mm[.255 in]
Product Width	3.81 mm[.15 in]

**Usage Conditions**

Temperature Coefficient	±100 ppm/°C
-------------------------	-------------



### Packaging Features

Packaging Method	Taped & Reeled
------------------	----------------

### Product Compliance

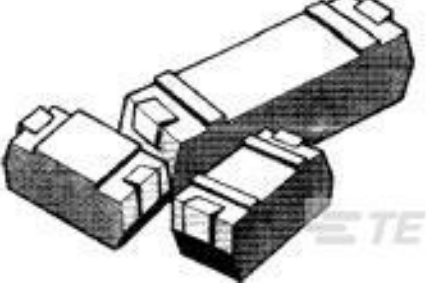
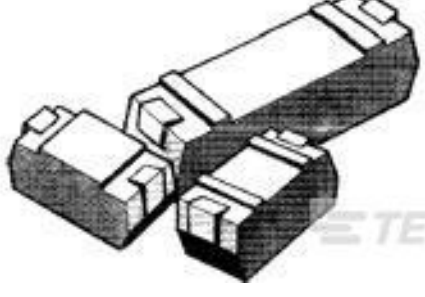
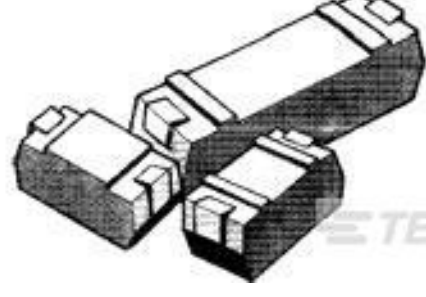
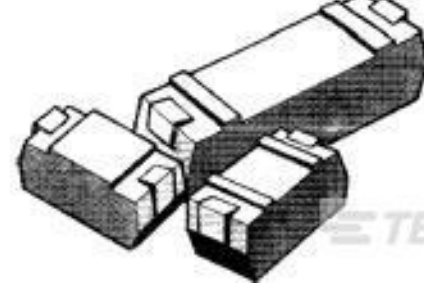
[For compliance documentation, visit the product page on TE.com>](#)

EU RoHS Directive 2011/65/EU	Compliant
EU ELV Directive 2000/53/EC	Compliant
China RoHS 2 Directive MIIT Order No 32, 2016	No Restricted Materials Above Threshold
EU REACH Regulation (EC) No. 1907/2006	Current ECHA Candidate List: JUNE 2023 (235) Candidate List Declared Against: JUNE 2023 (235) Does not contain REACH SVHC
Halogen Content	Low Halogen - Br, Cl, F, I < 900 ppm per homogenous material. Also BFR/CFR/PVC Free
Solder Process Capability	Reflow solder capable to 260°C

#### Product Compliance Disclaimer

This information is provided based on reasonable inquiry of our suppliers and represents our current actual knowledge based on the information they provided. This information is subject to change. The part numbers that TE has identified as EU RoHS compliant have a maximum concentration of 0.1% by weight in homogenous materials for lead, hexavalent chromium, mercury, PBB, PBDE, DBP, BBP, DEHP, DIBP, and 0.01% for cadmium, or qualify for an exemption to these limits as defined in the Annexes of Directive 2011/65/EU (RoHS2). Finished electrical and electronic equipment products will be CE marked as required by Directive 2011/65/EU. Components may not be CE marked. Additionally, the part numbers that TE has identified as EU ELV compliant have a maximum concentration of 0.1% by weight in homogenous materials for lead, hexavalent chromium, and mercury, and 0.01% for cadmium, or qualify for an exemption to these limits as defined in the Annexes of Directive 2000/53/EC (ELV). Regarding the REACH Regulation, the information TE provides on SVHC in articles for this part number is based on the latest European Chemicals Agency (ECHA) 'Guidance on requirements for substances in articles' posted at this URL: <https://echa.europa.eu/guidance-documents/guidance-on-reach>

### Compatible Parts

 <p>TE Part # 1624250-4 CGS SL1 R022 5% TAPED</p>	 <p>TE Part # 1624250-6 CGS SL1 R047 5% TAPED</p>	 <p>TE Part # 1624256-1 SL1 R033 5% TAPED</p>	 <p>TE Part # 1624250-1 CGS SL1 R005 5% TAPED</p>
--	--	--	--



TE Part # 1624250-5  
CGS SL1 R033 5% TAPED

TE Part # 1624250-7  
CGS SL1 R051 5% TAPED

TE Part # 1624262-2  
SL1 R068 5% TAPED

TE Part # 1-1624250-6  
CGS SL2 R068 5% TAPED

TE Part # 1624253-2  
SL1 R01 5% TAPED

TE Part # 1624254-2  
SL1 R022 1% TAPED

TE Part # 1624260-1  
SL1 R05 5% TAPED

TE Part # 1624265-2  
SL1 R10 5% TAPED

TE Part # 1624250-2  
CGS SL1 R015 5% TAPED

TE Part # 1624250-8  
CGS SL1 R068 5% TAPED

TE Part # 1-1624250-0  
CGS SL2 R015 5% TAPED

TE Part # 1-1624250-1  
CGS SL2 R01 5% TAPED

TE Part # 1-1624250-2  
CGS SL2 R022 5% TAPED

TE Part # 1-1624250-3  
CGS SL2 R033 5% TAPED

TE Part # 1-1624250-4  
CGS SL2 R047 5% TAPED

TE Part # 1-1624250-5  
CGS SL2 R051 5% TAPED

Also in the Series | CGS SMD

High Speed Backplane Connectors(1)

Surface Mount Resistors(35)

Customers Also Bought



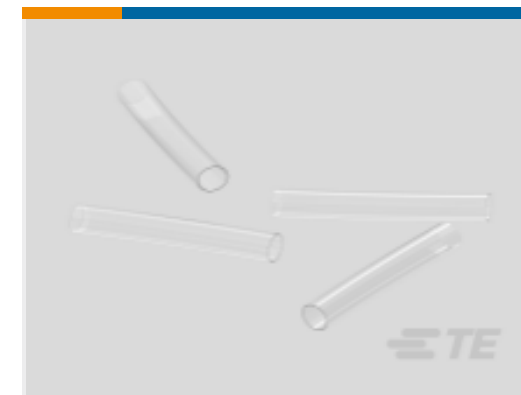
TE Part #CB03334007  
Single Heavy Wall RW 200 E: Heat Shrink Tubing, 2:1 Shrink Ratio



TE Part #5070032034  
RNF-100-3/32-X-STK



TE Part #5053042067  
RNF-100-0 Heat Shrink Tubing



TE Part #CV25372001  
RW-175-E Heat Shrink Tubing



TE Part #320568  
TERMINAL,PIDG R 12-10 8

## Documents

### Product Drawings

[CGS SL1 R01 5% TAPED](#)

English

### CAD Files

[3D PDF](#)

3D

Customer View Model

[ENG\\_CVM\\_CVM\\_1624250-3\\_BA.2d\\_dxf.zip](#)

English

Customer View Model

[ENG\\_CVM\\_CVM\\_1624250-3\\_BA.3d\\_igs.zip](#)

English

Customer View Model

[ENG\\_CVM\\_CVM\\_1624250-3\\_BA.3d\\_stp.zip](#)

English

By downloading the CAD file I accept and agree to the [Terms and Conditions](#) of use.

### Datasheets & Catalog Pages

[1309350\\_PASSIVE\\_COMPONENT](#)

English

[SMD Precision Current Sense Resistor - Type S Series - Tyco Electronics Passives](#)

English

[8-1773459-4\\_POWER\\_FILTERING\\_AND\\_RESISTIVE\\_SOLUTIONS\\_FOR\\_ELEVATORS\\_AND\\_ESCALATORS](#)

English