

SN54ABT25245, SN74ABT25245 25-Ω OCTAL BUS TRANSCEIVERS WITH 3-STATE OUTPUTS

SCBS251C – JUNE 1992 – REVISED JANUARY 1997

- State-of-the-Art *EPIC-IIB™* BiCMOS Design Significantly Reduces Power Dissipation
- ESD Protection Exceeds 2000 V Per MIL-STD-883, Method 3015; Exceeds 200 V Using Machine Model (C = 200 pF, R = 0)
- Latch-Up Performance Exceeds 500 mA Per JEDEC Standard JESD-17
- Typical V_{OLP} (Output Ground Bounce) < 1 V at $V_{CC} = 5$ V, $T_A = 25^\circ\text{C}$
- High-Impedance State During Power Up and Power Down
- Designed to Facilitate Incident-Wave Switching for Line Impedances of 25 Ω or Greater
- Distributed V_{CC} and GND Pins Minimize Noise Generated by the Simultaneous Switching of Outputs
- Bus Hold on Data Inputs Eliminates the Need for External Pullup/Pulldown Resistors
- Package Options Include Plastic Small-Outline (DW) Package, Ceramic Chip Carriers (FK), and Standard Plastic (NT) and Ceramic (JT) DIPs

description

The 'ABT25245 are 25-Ω octal bus transceivers designed for asynchronous communication between data buses. They improve both the performance and density of 3-state memory address drivers, clock drivers, and bus-oriented transceivers.

These devices allow noninverted data transmission from the A bus to the B bus or from the B bus to the A bus, depending on the logic level at the direction-control (DIR) input. The output-enable (\overline{OE}) input can disable the device so that both buses are effectively isolated. When \overline{OE} is low, the device is active.

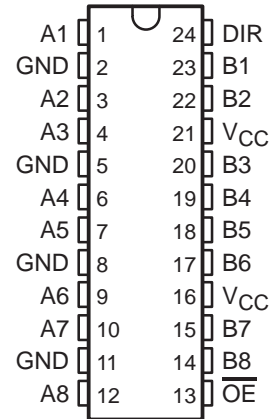
These transceivers are capable of sinking 188 mA of I_{OL} current, which facilitates switching 25-Ω transmission lines on the incident wave. The distributed V_{CC} and GND pins minimize switching noise for more-reliable system operation.

Active bus-hold circuitry is provided to hold unused or floating data inputs at a valid logic level.

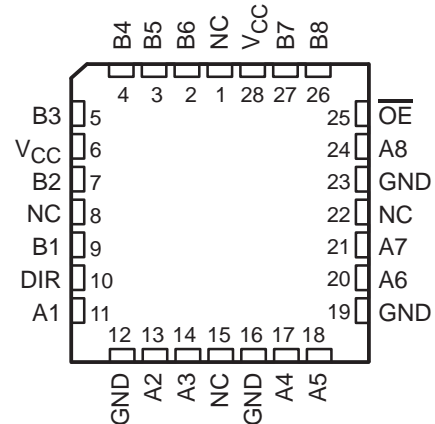
When V_{CC} is between 0 and 2.1 V, the device is in the high-impedance state during power up or power down. However, to ensure the high-impedance state above 2.1 V, \overline{OE} should be tied to V_{CC} through a pullup resistor; the minimum value of the resistor is determined by the current-sinking/current-sourcing capability of the driver.

The SN54ABT25245 is characterized for operation over the full military temperature range of -55°C to 125°C . The SN74ABT25245 is characterized for operation from -40°C to 85°C .

SN54ABT25245 . . . JT PACKAGE
SN74ABT25245 . . . DW OR NT PACKAGE
(TOP VIEW)



SN54ABT25245 . . . FK PACKAGE
(TOP VIEW)



NC – No internal connection



Please be aware that an important notice concerning availability, standard warranty, and use in critical applications of Texas Instruments semiconductor products and disclaimers thereto appears at the end of this data sheet.

EPIC-IIB is a trademark of Texas Instruments Incorporated.

UNLESS OTHERWISE NOTED this document contains PRODUCTION DATA information current as of publication date. Products conform to specifications per the terms of Texas Instruments standard warranty. Production processing does not necessarily include testing of all parameters.

**TEXAS
INSTRUMENTS**

POST OFFICE BOX 655303 • DALLAS, TEXAS 75265

Copyright © 1997, Texas Instruments Incorporated

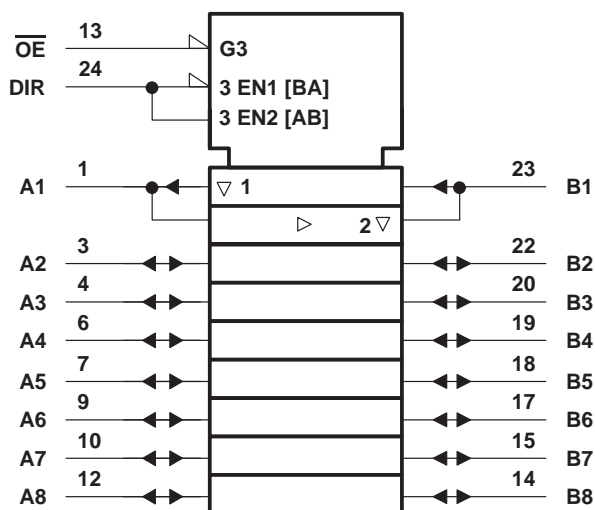
SN54ABT25245, SN74ABT25245 25-Ω OCTAL BUS TRANSCEIVERS WITH 3-STATE OUTPUTS

SCBS251C – JUNE 1992 – REVISED JANUARY 1997

FUNCTION TABLE

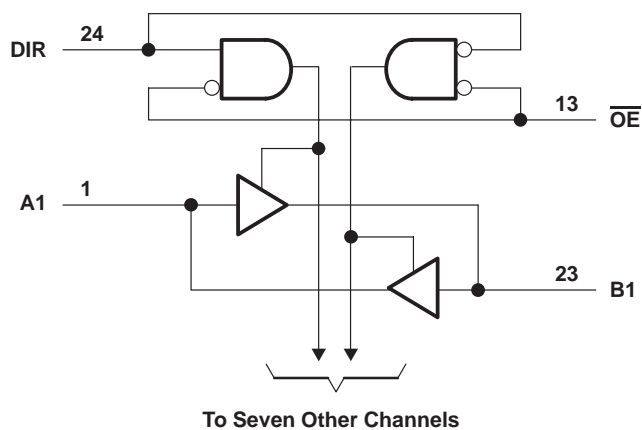
INPUTS		OPERATION
\overline{OE}	DIR	
L	L	B data to A bus
L	H	A data to B bus
H	X	Isolation

logic symbol†



† This symbol is in accordance with ANSI/IEEE Std 91-1984 and IEC Publication 617-12. Pin numbers shown are for the DW, JT, and NT packages.

logic diagram (positive logic)



Pin numbers shown are for the DW, JT, and NT packages.

SN54ABT25245, SN74ABT25245 25-Ω OCTAL BUS TRANSCEIVERS WITH 3-STATE OUTPUTS

SCBS251C – JUNE 1992 – REVISED JANUARY 1997

absolute maximum ratings over operating free-air temperature range (unless otherwise noted)†

Supply voltage range, V_{CC}	–0.5 V to 7 V
Input voltage range, V_I (except I/O ports) (see Note 1)	–0.5 V to 7 V
Voltage range applied to any output in the disabled or power-off state, V_O	–0.5 V to 5.5 V
Voltage range applied to any output in the high state, V_O	–0.5 V to V_{CC}
Input clamp current, I_{IK} ($V_I < 0$)	–18 mA
Output clamp current, I_{OK} ($V_O < 0$)	–50 mA
Current into any output in the low state, I_O : SN74ABT25245 (A port)	376 mA
SN74ABT25245 (B port)	128 mA
Operating free-air temperature range: SN54ABT25245	–55°C to 125°C
SN74ABT25245	–40°C to 85°C
Package thermal impedance, θ_{JA} (see Note 2): DW package	81°C/W
NT package	67°C/W
Storage temperature range, T_{stg}	–65°C to 150°C

† Stresses beyond those listed under “absolute maximum ratings” may cause permanent damage to the device. These are stress ratings only, and functional operation of the device at these or any other conditions beyond those indicated under “recommended operating conditions” is not implied. Exposure to absolute-maximum-rated conditions for extended periods may affect device reliability.

- NOTES: 1. The input and output negative-voltage ratings may be exceeded if the input and output clamp-current ratings are observed.
 2. The package thermal impedance is calculated in accordance with EIA/JEDEC Std JESD51, except for through-hole packages, which use a trace length of zero.

recommended operating conditions (see Note 3)

		SN54ABT25245		SN74ABT25245		UNIT
		MIN	MAX	MIN	MAX	
V_{CC}	Supply voltage	4.5	5.5	4.5	5.5	V
V_{IH}	High-level input voltage	2		2		V
V_{IL}	Low-level input voltage		0.8		0.8	V
V_I	Input voltage	0	V_{CC}	0	V_{CC}	V
I_{IK}	Input clamp current		–18		–18	mA
I_{OH}	High-level output current	A port			–80	mA
		B port			–32	
I_{OL}	Low-level output current	A port			188	mA
		B port			64	
$\Delta t/\Delta v$	Input transition rise or fall rate	Outputs enabled	Control inputs		4	ns/V
			A or B ports		10	
$\Delta t/\Delta V_{CC}$	Power-up ramp rate		200		200	μs/V
T_A	Operating free-air temperature	–55	125	–40	85	°C

NOTE 3: Unused pins (input or I/O) must be held high or low to prevent them from floating.

SN54ABT25245, SN74ABT25245

25-Ω OCTAL BUS TRANSCEIVERS

WITH 3-STATE OUTPUTS

SCBS251C – JUNE 1992 – REVISED JANUARY 1997

electrical characteristics over recommended operating free-air temperature range (unless otherwise noted)

PARAMETER	TEST CONDITIONS	SN54ABT25245			SN74ABT25245			UNIT
		MIN	TYP†	MAX	MIN	TYP†	MAX	
V_{IK}	$V_{CC} = 4.5\text{ V}$, $I_I = -18\text{ mA}$			-1.2			-1.2	V
V_{OH}	A port	$V_{CC} = 4.75\text{ V}$,	$I_{OH} = -3\text{ mA}$	2.7			2.7	V
		$V_{CC} = 4.5\text{ V}$,	$I_{OH} = -80\text{ mA}$	2.4			2.4	
	B port	$V_{CC} = 4.5\text{ V}$,	$I_{OH} = -3\text{ mA}$	2.5			2.5	
		$V_{CC} = 5\text{ V}$,	$I_{OH} = -3\text{ mA}$	3			3	
		$V_{CC} = 4.5\text{ V}$,	$I_{OH} = -32\text{ mA}$	2*			2	
V_{OL}	A port	$V_{CC} = 4.5\text{ V}$	$I_{OL} = 94\text{ mA}$			0.55	0.55	V
			$I_{OL} = 188\text{ mA}$			0.7	0.7	
	B port	$V_{CC} = 4.5\text{ V}$,	$I_{OL} = 64\text{ mA}$			0.55*	0.55	
V_{hys}				100			100	mV
I_I	Control inputs	$V_{CC} = 0\text{ to }5.5\text{ V}$,	$V_I = V_{CC}\text{ or GND}$			± 1	± 1	μA
	A or B ports	$V_{CC} = 2.1\text{ V to }5.5\text{ V}$,	$V_I = V_{CC}\text{ or GND}$			± 20	± 20	
$I_I(\text{hold})$	A or B ports	$V_{CC} = 4.5\text{ V}$	$V_I = 0.8\text{ V}$	100			100	μA
			$V_I = 2\text{ V}$	-100			-100	
I_{OZPU}^\ddagger		$V_{CC} = 0\text{ to }2.1\text{ V}$, $V_O = 0.5\text{ V to }2.7\text{ V}$, $\overline{OE} = X$				± 50	± 50	μA
I_{OZPD}^\ddagger		$V_{CC} = 2.1\text{ V to }0$, $V_O = 0.5\text{ V to }2.7\text{ V}$, $\overline{OE} = X$				± 50	± 50	μA
I_{OZH}^\S		$V_{CC} = 2.1\text{ V to }5.5\text{ V}$, $V_O = 2.7\text{ V}$, $\overline{OE} \geq 2\text{ V}$				10	10	μA
I_{OZL}^\S		$V_{CC} = 2.1\text{ V to }5.5\text{ V}$, $V_O = 0.5\text{ V}$, $\overline{OE} \geq 2\text{ V}$				-10	-10	μA
I_{off}		$V_{CC} = 0$,	$V_I\text{ or }V_O \leq 4.5\text{ V}$			± 100	± 100	μA
I_{CEX}		$V_{CC} = 5.5\text{ V}$,	$V_O = 5.5\text{ V}$			50	50	μA
I_{O}^\parallel	B port	$V_{CC} = 5.5\text{ V}$,	$V_O = 2.5\text{ V}$	-50	-210	-50	-210	mA
I_{CC}		$V_{CC} = 5.5\text{ V}$, Outputs open, $V_I = V_{CC}\text{ or GND}$	Outputs high			500	500	μA
			Outputs low			20	20	mA
			Outputs disabled			500	500	μA
$\Delta I_{CC}^\#$		$V_{CC} = 5.5\text{ V}$, One input at 3.4 V, Other inputs at $V_{CC}\text{ or GND}$				1	1	mA
C_i	Control inputs	$V_{CC} = 5\text{ V}$,	$V_I = V_{CC}\text{ or GND}$			4	4	pF
C_{io}	A or B ports	$V_{CC} = 5\text{ V}$,	$V_O = V_{CC}\text{ or GND}$			11.5	11.5	pF

* On products compliant to MIL-PRF-38535, this parameter does not apply.

† All typical values are at $V_{CC} = 5\text{ V}$, $T_A = 25^\circ\text{C}$.

‡ This parameter is characterized, but not production tested.

§ For I/O ports, the parameters I_{IH} and I_{IL} include the off-state output current.

¶ Not more than one output should be tested at a time, and the duration of the test should not exceed one second.

This is the increase in supply current for each input that is at the specified TTL voltage level rather than V_{CC} or GND.

PRODUCT PREVIEW information concerns products in the formative or design phase of development. Characteristic data and other specifications are design goals. Texas Instruments reserves the right to change or discontinue these products without notice.



POST OFFICE BOX 655303 • DALLAS, TEXAS 75265

SN54ABT25245, SN74ABT25245
25-Ω OCTAL BUS TRANSCEIVERS
WITH 3-STATE OUTPUTS

SCBS251C – JUNE 1992 – REVISED JANUARY 1997

switching characteristics over recommended ranges of supply voltage and operating free-air temperature, $C_L = 50$ pF (unless otherwise noted) (see Figure 1)

PARAMETER	FROM (INPUT)	TO (OUTPUT)	$V_{CC} = 5$ V, $T_A = 25^\circ$ C			SN54ABT25245		SN74ABT25245		UNIT
			MIN	TYP	MAX	MIN	MAX	MIN	MAX	
t_{PLH}	A or B	B or A	1	2.3	3.5	1		1	3.9	ns
t_{PHL}			1	2.4	3.5	1		1	4.3	
t_{PZH}	\overline{OE}	A or B	1.5	3.7	5.4	1.5		1.5	6.5	ns
t_{PZL}			1.4	4	5.8	1.4		1.4	6.8	
t_{PHZ}	\overline{OE}	A or B	2	4.3	6.1	2		2	7.2	ns
t_{PLZ}			2	3.9	5.8	2		2	6.4	

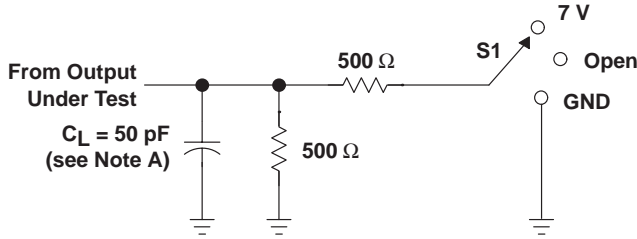
PRODUCT PREVIEW information concerns products in the formative or design phase of development. Characteristic data and other specifications are design goals. Texas Instruments reserves the right to change or discontinue these products without notice.



SN54ABT25245, SN74ABT25245
25-Ω OCTAL BUS TRANSCEIVERS
WITH 3-STATE OUTPUTS

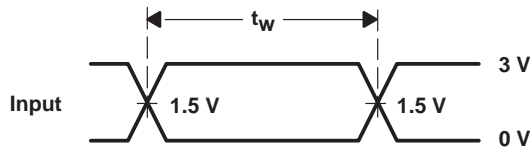
SCBS251C – JUNE 1992 – REVISED JANUARY 1997

PARAMETER MEASUREMENT INFORMATION

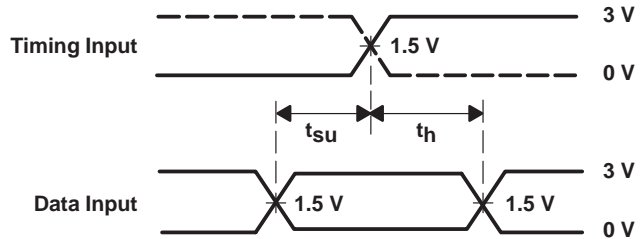


TEST	S1
t_{PLH}/t_{PHL}	Open
t_{PLZ}/t_{PZL}	7 V
t_{PHZ}/t_{PZH}	Open

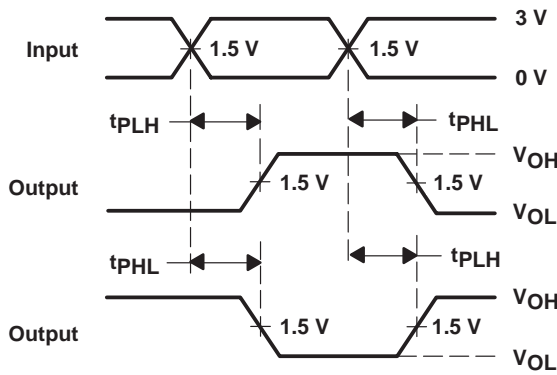
LOAD CIRCUIT



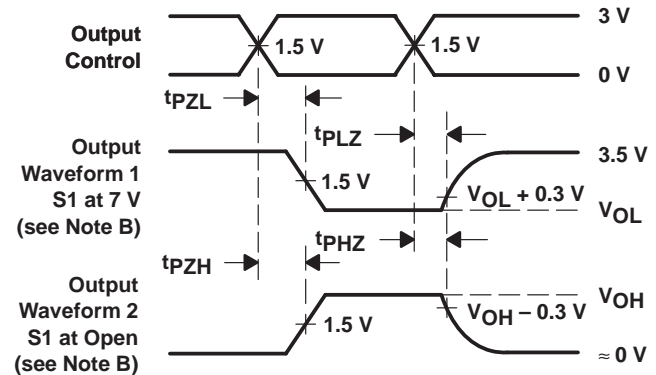
VOLTAGE WAVEFORMS
PULSE DURATION



VOLTAGE WAVEFORMS
SETUP AND HOLD TIMES



VOLTAGE WAVEFORMS
PROPAGATION DELAY TIMES
INVERTING AND NONINVERTING OUTPUTS



VOLTAGE WAVEFORMS
ENABLE AND DISABLE TIMES
LOW- AND HIGH-LEVEL ENABLING

- NOTES: A. C_L includes probe and jig capacitance.
 B. Waveform 1 is for an output with internal conditions such that the output is low except when disabled by the output control. Waveform 2 is for an output with internal conditions such that the output is high except when disabled by the output control.
 C. All input pulses are supplied by generators having the following characteristics: $PRR \leq 10$ MHz, $Z_O = 50 \Omega$, $t_r \leq 2.5$ ns, $t_f \leq 2.5$ ns
 D. The outputs are measured one at a time with one transition per measurement.

Figure 1. Load Circuit and Voltage Waveforms

IMPORTANT NOTICE

Texas Instruments and its subsidiaries (TI) reserve the right to make changes to their products or to discontinue any product or service without notice, and advise customers to obtain the latest version of relevant information to verify, before placing orders, that information being relied on is current and complete. All products are sold subject to the terms and conditions of sale supplied at the time of order acknowledgement, including those pertaining to warranty, patent infringement, and limitation of liability.

TI warrants performance of its semiconductor products to the specifications applicable at the time of sale in accordance with TI's standard warranty. Testing and other quality control techniques are utilized to the extent TI deems necessary to support this warranty. Specific testing of all parameters of each device is not necessarily performed, except those mandated by government requirements.

CERTAIN APPLICATIONS USING SEMICONDUCTOR PRODUCTS MAY INVOLVE POTENTIAL RISKS OF DEATH, PERSONAL INJURY, OR SEVERE PROPERTY OR ENVIRONMENTAL DAMAGE ("CRITICAL APPLICATIONS"). TI SEMICONDUCTOR PRODUCTS ARE NOT DESIGNED, AUTHORIZED, OR WARRANTED TO BE SUITABLE FOR USE IN LIFE-SUPPORT DEVICES OR SYSTEMS OR OTHER CRITICAL APPLICATIONS. INCLUSION OF TI PRODUCTS IN SUCH APPLICATIONS IS UNDERSTOOD TO BE FULLY AT THE CUSTOMER'S RISK.

In order to minimize risks associated with the customer's applications, adequate design and operating safeguards must be provided by the customer to minimize inherent or procedural hazards.

TI assumes no liability for applications assistance or customer product design. TI does not warrant or represent that any license, either express or implied, is granted under any patent right, copyright, mask work right, or other intellectual property right of TI covering or relating to any combination, machine, or process in which such semiconductor products or services might be or are used. TI's publication of information regarding any third party's products or services does not constitute TI's approval, warranty or endorsement thereof.