



Not Intended For New Designs

T-46-07-07

# 100135 Triple J-K Flip-Flop

## General Description

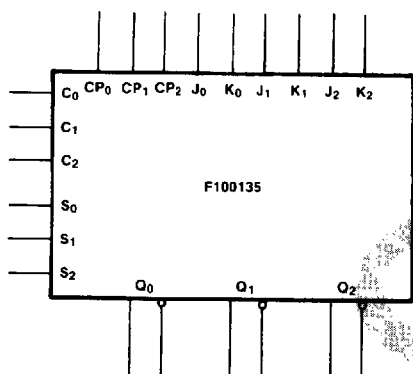
The 100135 contains three J-K, edge-triggered master-slave flip-flops with true and complement outputs. All have individual Clock (CP<sub>n</sub>), Clear (C<sub>n</sub>), and Set (S<sub>n</sub>) inputs. Clocking occurs on the rising edge of CP<sub>n</sub>. All inputs have 50 kΩ pull-down resistors.

## Features

- Toggle frequency 750 MHz Typical
- Propagation delay 2.2 ns max
- Outputs specified to drive a 50Ω load

**Ordering Code:** See Section 6

## Logic Symbol

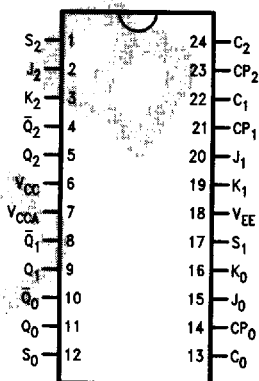


TL/F/9854-3

Pin Names	Description
J <sub>0</sub> -J <sub>2</sub>	J Inputs
K <sub>0</sub> -K <sub>2</sub>	K Inputs
S <sub>0</sub> -S <sub>2</sub>	Direct Set Inputs
C <sub>0</sub> -C <sub>2</sub>	Direct Clear Inputs
CP <sub>0</sub> -CP <sub>2</sub>	Clock Inputs
Q <sub>0</sub> -Q <sub>2</sub>	Data Outputs
Q <sub>0</sub> -Q <sub>2</sub>	Complementary Data Outputs

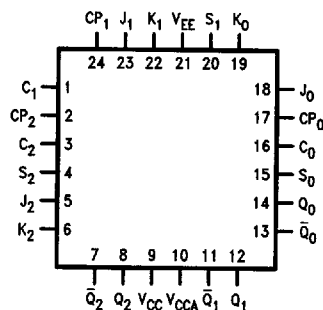
## Connection Diagrams

24-Pin DIP



TL/F/9854-1

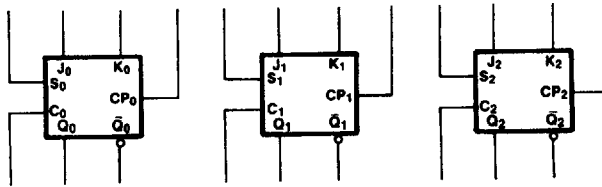
24-Pin Quad Cerpak



TL/F/9854-2

100131

### Logic Diagram



TL/F78854-5

### Truth Tables (Each Flip-Flop)

#### Synchronous Operation

Inputs					Outputs
$J_n$	$K_n$	$CP_n$	$S_n$	$C_n$	$Q_n(t + 1)$
L	L	↗	L	L	$Q_n(t)$
L	H	↗	L	L	L
H	L	↗	L	L	H
H	H	↗	L	L	$\overline{Q_n(t)}$
X	X	H	L	L	$Q_n(t)$
X	X	L	L	L	$Q_n(t)$

#### Asynchronous Operation

Inputs					Outputs
$J_n$	$K_n$	$CP_n$	$S_n$	$C_n$	$Q_n$
X	X	X	H	L	H
X	X	X	L	H	L
X	X	X	H	H	U

H = HIGH Voltage Level  
 L = LOW Voltage Level  
 X = Don't Care  
 U = Undefined  
 t = Time before CP Positive Transition  
 t + 1 = Time after CP Positive Transition  
 ↗ = LOW-to-HIGH Transition

### Absolute Maximum Ratings

Above which the useful life may be impaired. (Note 1)

If Military/Aerospace specified devices are required, please contact the National Semiconductor Sales Office/Distributors for availability and specifications.

Storage Temperature -65°C to +150°C

Maximum Junction Temperature (T<sub>J</sub>) +150°C

Case Temperature under Bias (T<sub>C</sub>) 0°C to +85°C

V<sub>EE</sub> Pin Potential to Ground Pin -7.0V to +0.5V

Input Voltage (DC) V<sub>EE</sub> to +0.5V

Output Current (DC Output HIGH) -50 mA

Operating Range (Note 2) -5.7V to -4.2V

### DC Electrical Characteristics

V<sub>EE</sub> = -4.5V, V<sub>CC</sub> = V<sub>CCA</sub> = GND, T<sub>C</sub> = 0°C to +85°C (Note 3)

Symbol	Parameter	Min	Typ	Max	Units	Conditions (Note 4)	
V <sub>OH</sub>	Output HIGH Voltage	-1025	-955	-880	mV	V <sub>IN</sub> = V <sub>IH</sub> (Max) or V <sub>IL</sub> (Min)	Loading with 50Ω to -2.0V
V <sub>OL</sub>	Output LOW Voltage	-1810	-1705	-1620			
V <sub>OHC</sub>	Output HIGH Voltage	-1035			mV	V <sub>IN</sub> = V <sub>IH</sub> (Min) or V <sub>IL</sub> (Max)	Loading with 50Ω to -2.0V
V <sub>OLC</sub>	Output LOW Voltage			-1610			
V <sub>IH</sub>	Input HIGH Voltage	-1165		-880	mV	Guaranteed HIGH Signal for All Inputs	
V <sub>IL</sub>	Input LOW Voltage	-1810		-1475	mV	Guaranteed LOW Signal for All Inputs	
I <sub>IL</sub>	Input LOW Current	0.50			μA	V <sub>IN</sub> = V <sub>IL</sub> (Min)	

### DC Electrical Characteristics

V<sub>EE</sub> = -4.2V, V<sub>CC</sub> = V<sub>CCA</sub> = GND, T<sub>C</sub> = 0°C to +85°C (Note 3)

Symbol	Parameter	Min	Typ	Max	Units	Conditions (Note 4)	
V <sub>OH</sub>	Output HIGH Voltage	-1020		-870	mV	V <sub>IN</sub> = V <sub>IH</sub> (Max) or V <sub>IL</sub> (Min)	Loading with 50Ω to -2.0V
V <sub>OL</sub>	Output LOW Voltage	-1810		-1605			
V <sub>OHC</sub>	Output HIGH Voltage	-1030			mV	V <sub>IN</sub> = V <sub>IH</sub> (Min) or V <sub>IL</sub> (Max)	Loading with 50Ω to -2.0V
V <sub>OLC</sub>	Output LOW Voltage			-1595			
V <sub>IH</sub>	Input HIGH Voltage	-1150		-870	mV	Guaranteed HIGH Signal for All Inputs	
V <sub>IL</sub>	Input LOW Voltage	-1810		-1475	mV	Guaranteed LOW Signal for All Inputs	
I <sub>IL</sub>	Input LOW Current	0.50			μA	V <sub>IN</sub> = V <sub>IL</sub> (Min)	

### DC Electrical Characteristics

V<sub>EE</sub> = -4.8V, V<sub>CC</sub> = V<sub>CCA</sub> = GND, T<sub>C</sub> = 0°C to +85°C (Note 3)

Symbol	Parameter	Min	Typ	Max	Units	Conditions (Note 4)	
V <sub>OH</sub>	Output HIGH Voltage	-1035		-880	mV	V <sub>IN</sub> = V <sub>IH</sub> (Max) or V <sub>IL</sub> (Min)	Loading with 50Ω to -2.0V
V <sub>OL</sub>	Output LOW Voltage	-1830		-1620			
V <sub>OHC</sub>	Output HIGH Voltage	-1045			mV	V <sub>IN</sub> = V <sub>IH</sub> (Min) or V <sub>IL</sub> (Max)	Loading with 50Ω to -2.0V
V <sub>OLC</sub>	Output LOW Voltage			-1610			
V <sub>IH</sub>	Input HIGH Voltage	-1165		-880	mV	Guaranteed HIGH Signal for All Inputs	
V <sub>IL</sub>	Input LOW Voltage	-1830		-1490	mV	Guaranteed LOW Signal for All Inputs	
I <sub>IL</sub>	Input LOW Current	0.50			μA	V <sub>IN</sub> = V <sub>IL</sub> (Min)	

**Note 1:** Absolute maximum ratings are those values beyond which the device may be damaged or have its useful life impaired. Functional operation under these conditions is not implied.

**Note 2:** Parametric values specified at -4.2V to -4.8V

**Note 3:** The specified limits represent the "worst case" value for the parameter. Since these "worst case" values normally occur at the temperature extremes, additional noise immunity and guard banding can be achieved by decreasing the allowable system operating ranges.

**Note 4:** Conditions for testing shown in the tables are chosen to guarantee operation under "worst case" conditions.

100135

**DC Electrical Characteristics**
 $V_{EE} = -4.2V$  to  $-4.8V$  unless otherwise specified,  $V_{CC} = V_{CCA} = GND$ ,  $T_C = 0^\circ C$  to  $+85^\circ C$ 

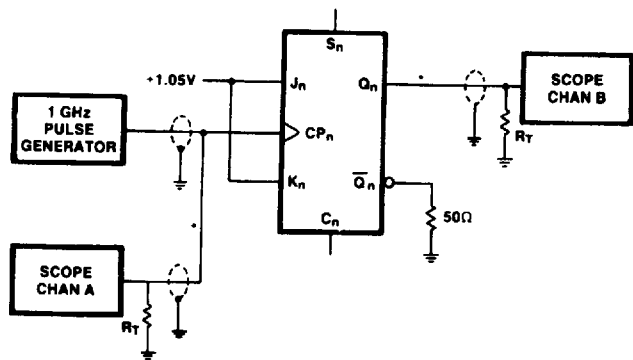
Symbol	Parameter	Min	Typ	Max	Units	Conditions
$I_{IH}$	Input HIGH Current All Inputs			350	$\mu A$	$V_{IN} = V_{IH} (Max)$
$I_{EE}$	Power Supply Current	-195	-150	-90	mA	Inputs Open

**Ceramic Dual-In-Line Package AC Characteristics**
 $V_{EE} = -4.2V$  to  $-4.8V$ ,  $V_{CC} = V_{CCA} = GND$ 

Symbol	Parameter	$T_C = 0^\circ C$		$T_C = +25^\circ C$		$T_C = +85^\circ C$		Units	Conditions
		Min	Max	Min	Max	Min	Max		
$f_{max}$	Toggle Frequency	600		600		600		MHz	Figure 1
$t_{PLH}$ $t_{PHL}$	Propagation Delay CP <sub>n</sub> to Output	0.70	2.20	0.70	2.00	0.70	2.20	ns	Figures 2 and 3
$t_{PLH}$ $t_{PHL}$	Propagation Delay C <sub>n</sub> , S <sub>n</sub> to Output	0.90	1.80	0.90	2.00	0.90	2.40	ns	CP <sub>n</sub> = L, CP <sub>n</sub> = H
$t_{TLH}$ $t_{THL}$	Transition Time 20% to 80%, 80% to 20%	0.30	1.40	0.30	1.40	0.30	1.40	ns	Figures 2 and 3
$t_s$	Setup Time J <sub>n</sub> , K <sub>n</sub> to CP <sub>n</sub> C <sub>n</sub> , S <sub>n</sub> (Release Time)	0.90 1.50		0.70 1.30		0.90 1.50		ns	
$t_H$	Hold Time J <sub>n</sub> , K <sub>n</sub> to CP <sub>n</sub>	0.80		0.80		0.80		ns	
$t_{pw(H)}$	Pulse Width HIGH CP <sub>n</sub> , C <sub>n</sub> , S <sub>n</sub>	2.00		2.00		2.00		ns	

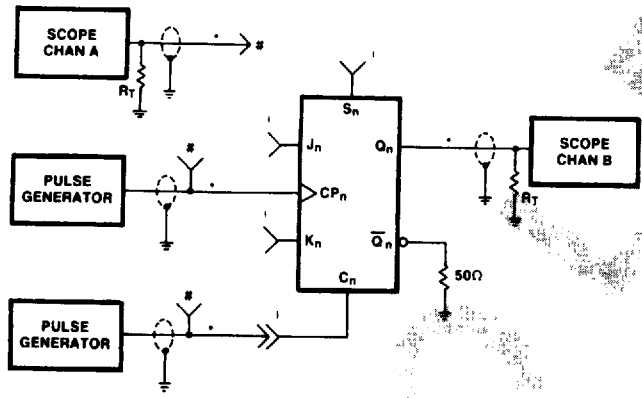
**Cerpak AC Characteristics**
 $V_{EE} = -4.2V$  to  $-4.8V$ ,  $V_{CC} = V_{CCA} = GND$ 

Symbol	Parameter	$T_C = 0^\circ C$		$T_C = +25^\circ C$		$T_C = +85^\circ C$		Units	Conditions
		Min	Max	Min	Max	Min	Max		
$f_{max}$	Toggle Frequency	650		650		650		MHz	Figure 1
$t_{PLH}$ $t_{PHL}$	Propagation Delay CP <sub>n</sub> to Output	0.70	2.00	0.70	1.80	0.70	2.00	ns	Figures 2 and 3
$t_{PLH}$ $t_{PHL}$	Propagation Delay C <sub>n</sub> , S <sub>n</sub> to Output	0.90	1.60	0.90	1.80	0.90	2.20	ns	CP <sub>n</sub> = L, CP <sub>n</sub> = H
$t_{TLH}$ $t_{THL}$	Transition Time 20% to 80%, 80% to 20%	0.30	1.30	0.30	1.30	0.30	1.30	ns	Figures 2 and 3
$t_s$	Setup Time J <sub>n</sub> , K <sub>n</sub> to CP <sub>n</sub> C <sub>n</sub> , S <sub>n</sub> (Release Time)	0.80 1.40		0.60 1.20		0.80 1.40		ns	
$t_H$	Hold Time J <sub>n</sub> , K <sub>n</sub> to CP <sub>n</sub>	0.70		0.70		0.70		ns	
$t_{pw(H)}$	Pulse Width HIGH CP <sub>n</sub> , C <sub>n</sub> , S <sub>n</sub>	2.00		2.00		2.00		ns	



TL/F/9854-6  
**FIGURE 1. Toggle Frequency Test Circuit**

**Notes:**  
 $V_{CC} = V_{CCA} = +2V$   
 $V_{EE} = -2.5V$   
 \* = equal electrical length 50Ω lines  
 $R_T = 50\Omega$  termination  
 Decouple power supplies with 0.1  $\mu F$  from  $V_{CC}$  and  $V_{EE}$  to GND  
 $C_L$  = Fixture and stray capacitance  $\leq 3$  pF  
 Load all unused outputs with 50Ω to GND  
 Set pulse generator output level for 740 mV p-p at a frequency of 10 MHz as measured at the clock input pin of the device under test. Do not readjust this voltage for frequencies up to  $f_{max}$ . The pad isolates the generator output for D.U.T. input impedance variations. Signal voltage measured at the D.U.T. input will vary as input impedance varies with frequency



TL/F/9854-7  
**FIGURE 2. AC Test Circuit**

**Notes:**  
 $V_{CC} = V_{CCA} = +2V$   
 $V_{EE} = -2.5V$   
 Decouple power supplies with 0.1  $\mu F$  from  $V_{CC}$  and  $V_{EE}$  to GND  
 $R_T = 50\Omega$  termination  
 Load all unused outputs with 50Ω to GND  
 $C_L$  = Fixture and stray capacitance  $\leq 3$  pF  
 \* = equal electrical length 50Ω lines  
 # = Connect Scope CHAN A to pulse generator as required  
 † = Connect pulse generator to input under test; else connect input to voltage source set to +1.05 volts for logic HIGH or +0.31 volts for logic LOW  
 Consult truth table for appropriate logical condition

100135

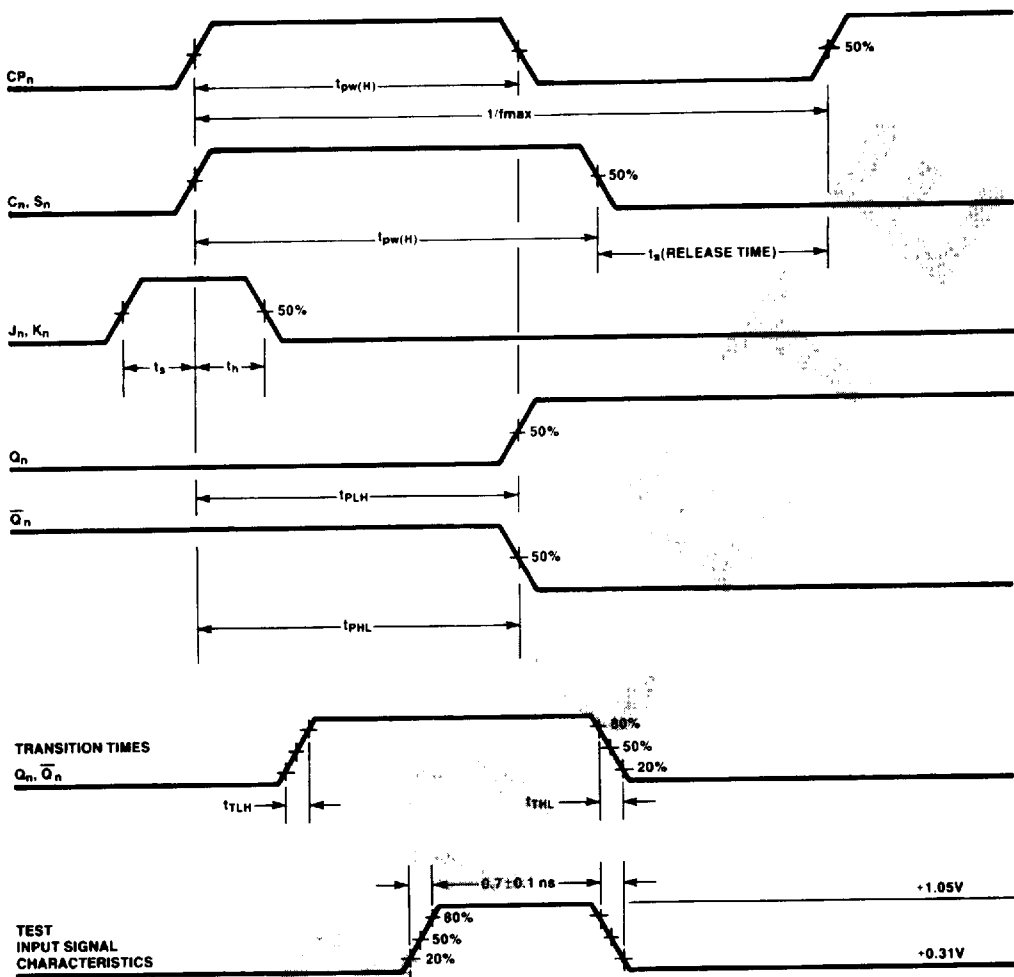


FIGURE 3. Propagation Delays and Setup and Hold Time

TL/F/9854-8