



# Buffered, Fast-Settling, Dual, 12-/10-/8-Bit, Voltage-Output DACs

MAX5290-MAX5295

## General Description

The MAX5290–MAX5295 dual, 12-/10-/8-bit, voltage-output digital-to-analog converters (DACs) offer buffered outputs and a 3 $\mu$ s maximum settling time at the 12-bit level. The DACs operate from a 2.7V to 5.25V analog supply and a separate 1.8V to 3.6V digital supply. The 20MHz 3-wire serial interface is compatible with SPI™, QSPI™, MICROWIRE™, and digital signal processor (DSP) protocol applications. Multiple devices can share a common serial interface in direct access or daisy-chained configuration. The MAX5290–MAX5295 provide two multifunctional, user-programmable, digital I/O ports. The externally selectable power-up states of the DAC outputs are either zero scale, midscale, or full scale. Software-selectable FAST and SLOW settling modes decrease settling time in FAST mode, or reduce supply current in SLOW mode.

The MAX5290/MAX5291 are 12-bit DACs, the MAX5292/MAX5293 are 10-bit DACs, and the MAX5294/MAX5295 are 8-bit DACs. The MAX5290/MAX5292/MAX5294 provide unity-gain-configured output buffers, while the MAX5291/MAX5293/MAX5295 provide force-sense-configured output buffers. The MAX5290–MAX5295 are specified over the extended -40°C to +85°C temperature range, and are available in space-saving 4mm x 4mm, 16-pin thin QFN and 6.5mm x 5mm, 14-pin and 16-pin TSSOP packages.

## Applications

Portable Instrumentation  
Automatic Test Equipment (ATE)  
Digital Offset and Gain Adjustment  
Automatic Tuning  
Programmable Voltage and Current Sources  
Programmable Attenuators  
Industrial Process Controls  
Motion Control  
Microprocessor ( $\mu$ P)-Controlled Systems  
Power Amplifier Control  
Fast Parallel-DAC to Serial-DAC Upgrades

**Selector Guide and Pin Configurations appear at end of data sheet.**

SPI/QSPI are trademarks of Motorola, Inc.

MICROWIRE is a trademark of National Semiconductor Corp.

## Features

- ◆ Dual, 12-/10-/8-Bit Serial DACs in 4mm x 4mm Thin QFN and TSSOP Packages
- ◆ 3 $\mu$ s (max) 12-Bit Settling Time to 1/2 LSB
- ◆ Integral Nonlinearity
  - 1 LSB (max) MAX5290/MAX5291 A-Grade (12-Bit)
  - 1 LSB (max) MAX5292/MAX5293 (10-Bit)
  - 1/2 LSB (max) MAX5294/MAX5295 (8-Bit)
- ◆ Guaranteed Monotonic,  $\pm 1$  LSB (max) DNL
- ◆ Two User-Programmable Digital I/O Ports
- ◆ Single +2.7V to +5.25V Analog Supply
- ◆ +1.8V to AV<sub>DD</sub> Digital Supply
- ◆ 20MHz 3-Wire SPI-/QSPI-/MICROWIRE- and DSP-Compatible Serial Interface
- ◆ Glitch-Free Outputs Power Up to Zero Scale, Midscale or Full Scale
- ◆ Unity-Gain- or Force-Sense-Configured Output Buffers

## Ordering Information

| PART                | TEMP RANGE     | PIN-PACKAGE      |
|---------------------|----------------|------------------|
| <b>MAX5290</b> AEUD | -40°C to +85°C | 14 TSSOP         |
| MAX5290BEUD         | -40°C to +85°C | 14 TSSOP         |
| MAX5290AETE*        | -40°C to +85°C | 16 Thin QFN-EP** |
| MAX5290BETE*        | -40°C to +85°C | 16 Thin QFN-EP** |
| <b>MAX5291</b> AEUE | -40°C to +85°C | 16 TSSOP         |
| MAX5291BEUE         | -40°C to +85°C | 16 TSSOP         |
| MAX5291AETE*        | -40°C to +85°C | 16 Thin QFN-EP** |
| MAX5291BETE*        | -40°C to +85°C | 16 Thin QFN-EP** |
| <b>MAX5292</b> EUD  | -40°C to +85°C | 14 TSSOP         |
| MAX5292ETE*         | -40°C to +85°C | 16 Thin QFN-EP** |
| <b>MAX5293</b> EUE  | -40°C to +85°C | 16 TSSOP         |
| MAX5293ETE*         | -40°C to +85°C | 16 Thin QFN-EP** |
| <b>MAX5294</b> EUD  | -40°C to +85°C | 14 TSSOP         |
| MAX5294ETE*         | -40°C to +85°C | 16 Thin QFN-EP** |
| <b>MAX5295</b> EUE  | -40°C to +85°C | 16 TSSOP         |
| MAX5295ETE*         | -40°C to +85°C | 16 Thin QFN-EP** |

\*Future product—contact factory for availability. Specifications are preliminary.

\*\*EP = Exposed paddle.



# Buffered, Fast-Settling, Dual, 12-/10-/8-Bit, Voltage-Output DACs

## ABSOLUTE MAXIMUM RATINGS

AV<sub>DD</sub> to DV<sub>DD</sub> .....±6V  
 AGND to DGND .....±0.3V  
 AV<sub>DD</sub> to AGND, DGND .....-0.3V to +6V  
 DV<sub>DD</sub> to AGND, DGND .....-0.3V to +6V  
 FB<sub>-</sub>, OUT<sub>-</sub>,  
 REF to AGND .....-0.3V to the lower of (AV<sub>DD</sub> + 0.3V) or +6V  
 SCLK, DIN, CS, PU,  
 DSP to DGND .....-0.3V to the lower of (DV<sub>DD</sub> + 0.3V) or +6V  
 UPIO1, UPIO2  
 to DGND .....-0.3V to the lower of (DV<sub>DD</sub> + 0.3V) or +6V

Maximum Current into Any Pin .....±50mA  
 Continuous Power Dissipation (T<sub>A</sub> = +70°C)  
 14-Pin TSSOP (derate 9.1mW/°C above +70°C) .....727mW  
 16-Pin TSSOP (derate 9.4mW/°C above +70°C) .....755mW  
 16-Pin Thin QFN (derate 16.9mW/°C above +70°C) .1349mW  
 Operating Temperature Range .....-40°C to +85°C  
 Storage Temperature Range .....-65°C to +150°C  
 Maximum Junction Temperature .....+150°C  
 Lead Temperature (soldering, 10s) .....+300°C

Stresses beyond those listed under "Absolute Maximum Ratings" may cause permanent damage to the device. These are stress ratings only, and functional operation of the device at these or any other conditions beyond those indicated in the operational sections of the specifications is not implied. Exposure to absolute maximum rating conditions for extended periods may affect device reliability.

## ELECTRICAL CHARACTERISTICS

(AV<sub>DD</sub> = 2.7V to 5.25V, DV<sub>DD</sub> = 1.8V to AV<sub>DD</sub>, AGND = 0, DGND = 0, V<sub>REF</sub> = 2.5V, R<sub>L</sub> = 10kΩ, C<sub>L</sub> = 100pF, T<sub>A</sub> = T<sub>MIN</sub> to T<sub>MAX</sub>, unless otherwise noted. Typical values are at T<sub>A</sub> = +25°C.) (Note 1)

| PARAMETER                 | SYMBOL          | CONDITIONS   |                            | MIN    | TYP  | MAX          | UNITS |
|---------------------------|-----------------|--|----------------------------|--------|------|--------------|-------|
| <b>STATIC ACCURACY</b>    |                 |  |                            |        |      |              |       |
| Resolution                | N               | MAX5290/MAX5291  |                            | 12     |      | 8            | Bits  |
|                           |                 | MAX5292/MAX5293  |                            | 10     |      |              |       |
|                           |                 | MAX5294/MAX5295  |                            | 8      |      |              |       |
| Integral Nonlinearity     | INL             | V <sub>REF</sub> = 2.5V at AV <sub>DD</sub> = 2.7V, V <sub>REF</sub> = 4.096V at AV <sub>DD</sub> = 5.25V (Note 2) | MAX5290A/MAX5291A (12-bit) | ±1     |      | LSB          |       |
|                           |                 |  | MAX5290B/MAX5291B (12-bit) | ±2     | ±4   |              |       |
|                           |                 |  | MAX5292/MAX5293 (10-bit)   | ±0.5   | ±1   |              |       |
|                           |                 |  | MAX5294/MAX5295 (8-bit)    | ±0.125 | ±0.5 |              |       |
| Differential Nonlinearity | DNL             | Guaranteed monotonic (Note 2)  |                            | ±1     |      | LSB          |       |
| Offset Error              | V <sub>OS</sub> | MAX5290A/MAX5291A (12-bit), decimal code = 40  |                            | ±5     |      | mV           |       |
|                           |                 | MAX5290B/MAX5291B (12-bit), decimal code = 82  |                            | ±5     | ±25  |              |       |
|                           |                 | MAX5292/MAX5293 (10-bit), decimal code = 21  |                            | ±5     | ±25  |              |       |
|                           |                 | MAX5294/MAX5295 (8-bit), decimal code = 5  |                            | ±5     | ±25  |              |       |
| Offset-Error Drift        |                 |  |                            | 5      |      | ppm of FS/°C |       |
| Gain Error                | GE              | Full-scale output  | MAX5290A/MAX5291A (12-bit) | ±4     |      | LSB          |       |
|                           |                 |  | MAX5290B/MAX5291B (12-bit) | ±10    | ±20  |              |       |
|                           |                 |  | MAX5292/MAX5293 (10-bit)   | ±3     | ±5   |              |       |
|                           |                 |  | MAX5294/MAX5295 (8-bit)    | ±0.5   | ±2   |              |       |
| Gain-Error Drift          |                 |  |                            | 1      |      | ppm of FS/°C |       |

# Buffered, Fast-Settling, Dual, 12-/10-/8-Bit, Voltage-Output DACs

MAX5290-MAX5295

## ELECTRICAL CHARACTERISTICS (continued)

(AVDD = 2.7V to 5.25V, DVDD = 1.8V to AVDD, AGND = 0, DGND = 0, VREF = 2.5V, RL = 10kΩ, CL = 100pF, TA = TMIN to TMAX, unless otherwise noted. Typical values are at TA = +25°C.) (Note 1)

| PARAMETER   | SYMBOL | CONDITIONS  | MIN         | TYP        | MAX      | UNITS |
|---|--------|---|-------------|------------|----------|-------|
| Power-Supply Rejection Ratio                      | PSRR   | Full-scale output, AVDD = 2.7V to 3.6V                |             | 200        |          | μV/V  |
| <b>REFERENCE INPUT</b>                            |        |   |             |            |          |       |
| Reference Input Range                             | VREF   |   | 0.25        |            | AVDD     | V     |
| Reference Input Resistance                        | RREF   | Normal operation (no code dependence)                 | 145         | 200        |          | kΩ    |
| Reference Leakage Current                         | IREF   | Shutdown mode   |             | 0.5        | 1        | μA    |
| <b>DAC OUTPUT CHARACTERISTICS</b>                 |        |   |             |            |          |       |
| Output Voltage Noise                              |        | SLOW mode, full scale                                 | Unity gain  |            | 85       | μVRMS |
|   |        |   | Force sense |            | 67       |       |
|   |        | FAST mode, full scale                                 | Unity gain  |            | 140      |       |
|   |        |   | Force sense |            | 110      |       |
| Output Voltage Range (Note 4)                     |        | Unity-gain output                                     |             | 0          | AVDD     | V     |
|   |        | Force-sense output                                    |             | 0          | AVDD / 2 |       |
| DC Output Impedance                               |        |   |             | 38         |          | Ω     |
| Short-Circuit Current                             |        | AVDD = 3V, OUT_ to AGND, full scale, FAST mode        |             | 45         |          | mA    |
| Power-Up Time                                     |        | From DVDD applied, interface is functional            |             | 30         | 60       | μs    |
| Wake-Up Time                                      |        | Coming out of shutdown, outputs settled               |             | 40         |          | μs    |
| Output OUT_ and FB_ Open-Circuit Leakage Current  |        | Programmed in shutdown mode, force-sense outputs only |             | 0.01       |          | μA    |
| <b>DIGITAL OUTPUTS (UPIO_)</b>                    |        |   |             |            |          |       |
| Output High Voltage                               | VOH    | ISOURCE = 2mA   |             | DVDD - 0.5 |          | V     |
| Output Low Voltage                                | VOL    | ISINK = 2mA   |             |            | 0.4      | V     |
| <b>DIGITAL INPUTS (SCLK, CS, DIN, DSP, UPIO_)</b> |        |   |             |            |          |       |
| Input High Voltage                                | VIH    | DVDD ≥ 2.7V   |             | 2.4        |          | V     |
|   |        | DVDD < 2.7V   |             | 0.7 x DVDD |          |       |
| Input Low Voltage                                 | VIL    | DVDD > 3.6V   |             |            | 0.8      | V     |
|   |        | 2.7V ≤ DVDD ≤ 3.6V                                    |             |            | 0.6      |       |
|   |        | DVDD < 2.7V   |             |            | 0.2      |       |
| Input Leakage Current                             | IIN    |   |             | ±0.1       | ±1       | μA    |
| Input Capacitance                                 | CIN    |   |             | 10         |          | pF    |

# Buffered, Fast-Settling, Dual, 12-/10-/8-Bit, Voltage-Output DACs

## ELECTRICAL CHARACTERISTICS (continued)

( $V_{DD} = 2.7V$  to  $5.25V$ ,  $DV_{DD} = 1.8V$  to  $V_{DD}$ ,  $AGND = 0$ ,  $DGND = 0$ ,  $V_{REF} = 2.5V$ ,  $R_L = 10k\Omega$ ,  $C_L = 100pF$ ,  $T_A = T_{MIN}$  to  $T_{MAX}$ , unless otherwise noted. Typical values are at  $T_A = +25^\circ C$ .) (Note 1)

| PARAMETER                             | SYMBOL      | CONDITIONS  | MIN   | TYP           | MAX       | UNITS      |
|---------------------------------------|-------------|---|---|---------------|-----------|------------|
| <b>PU INPUT</b>                       |             |   |   |               |           |            |
| Input High Voltage                    | $V_{IH-PU}$ |   | $DV_{DD} - 200mV$                                     |               |           | V          |
| Input Low Voltage                     | $V_{IL-PU}$ |   |   |               | 200       | mV         |
| Input Leakage Current                 | $I_{IN-PU}$ | PU still considered floating when connected to a tri-state bus  |   |               | $\pm 200$ | nA         |
| <b>DYNAMIC PERFORMANCE</b>            |             |   |   |               |           |            |
| Voltage-Output Slew Rate              | SR          | Fast mode   |   | 3.6           |           | V/ $\mu s$ |
|                                       |             | Slow mode   |   | 1.6           |           |            |
| Voltage-Output Settling Time (Note 5) |             | FAST mode   | MAX5290/MAX5291 from code 322 to code 4095 to 1/2 LSB | 2             | 3         | $\mu s$    |
|                                       |             |   | MAX5292/MAX5293 from code 82 to code 1023 to 1/2 LSB  | 1.5           | 3         |            |
|                                       |             |   | MAX5294/MAX5295 from code 21 to code 255 to 1/2 LSB   | 1             | 2         |            |
|                                       |             | SLOW mode   | MAX5290/MAX5291 from code 322 to code 4095 to 1/2 LSB | 3             | 6         |            |
|                                       |             |   | MAX5292/MAX5293 from code 82 to code 1023 to 1/2 LSB  | 2.5           | 6         |            |
|                                       |             |   | MAX5294/MAX5295 from code 21 to code 255 to 1/2 LSB   | 2             | 4         |            |
| FB_ Input Voltage                     |             |   | 0   | $V_{REF} / 2$ |           | V          |
| FB_ Input Current                     |             |   |   |               | 0.1       | $\mu A$    |
| Reference -3dB Bandwidth (Note 6)     |             | Unity gain  |   | 200           |           | kHz        |
|                                       |             | Force sense   |   | 150           |           |            |
| Digital Feedthrough                   |             | $\overline{CS} = DV_{DD}$ , code = zero scale, any digital input from 0 to $DV_{DD}$ and $DV_{DD}$ to 0, $f = 100kHz$ |   | 0.1           |           | nV-s       |
| Digital-to-Analog Glitch Impulse      |             | Major carry transition  |   | 2             |           | nV-s       |
| DAC-to-DAC Crosstalk                  |             | (Note 3)  |   | 15            |           | nV-s       |

# Buffered, Fast-Settling, Dual, 12-/10-/8-Bit, Voltage-Output DACs

MAX5290-MAX5295

## ELECTRICAL CHARACTERISTICS (continued)

( $AV_{DD} = 2.7V$  to  $5.25V$ ,  $DV_{DD} = 1.8V$  to  $AV_{DD}$ ,  $AGND = 0$ ,  $DGND = 0$ ,  $V_{REF} = 2.5V$ ,  $R_L = 10k\Omega$ ,  $C_L = 100pF$ ,  $T_A = T_{MIN}$  to  $T_{MAX}$ , unless otherwise noted. Typical values are at  $T_A = +25^\circ C$ .) (Note 1)

| PARAMETER                    | SYMBOL                            | CONDITIONS   | MIN         | TYP  | MAX       | UNITS   |
|------------------------------|-----------------------------------|--|-------------|------|-----------|---------|
| <b>POWER REQUIREMENTS</b>    |                                   |  |             |      |           |         |
| Analog Supply Voltage Range  | $AV_{DD}$                         |  | 2.70        |      | 5.25      | V       |
| Digital Supply Voltage Range | $DV_{DD}$                         |  | 1.8         |      | $AV_{DD}$ | V       |
| Operating Supply Current     | $I_{AVDD} + I_{DVDD}$             | SLOW mode, all digital inputs at DGND or DVDD, no load, $V_{REF} = 2.5V$ | Unity gain  | 0.55 | 0.8       | mA      |
|                              |                                   |  | Force sense | 0.9  | 1.2       |         |
|                              |                                   | FAST mode, all digital inputs at DGND or DVDD, no load, $V_{REF} = 2.5V$ | Unity gain  | 0.85 | 2         | mA      |
|                              |                                   |  | Force sense | 1.2  | 2         |         |
| Shutdown Supply Current      | $I_{AVDD(SHDN)} + I_{DVDD(SHDN)}$ | No clocks, all digital inputs at DGND or DVDD, all DACs in shutdown mode |             | 0.5  | 1.0       | $\mu A$ |

## TIMING CHARACTERISTICS—DSP Mode Disabled (3V, 3.3V Logic) (Figure 1)

( $DV_{DD} = 2.7V$  to  $5.25V$ ,  $DGND = 0$ ,  $T_A = T_{MIN}$  to  $T_{MAX}$ , unless otherwise noted.)

| PARAMETER                                    | SYMBOL     | CONDITIONS                                    | MIN | TYP | MAX | UNITS |
|--|------------|---|-----|-----|-----|-------|
| SCLK Frequency                               | $f_{SCLK}$ | $2.7V < DV_{DD} < 5.25V$                      |     |     | 20  | MHz   |
| SCLK Pulse-Width High                        | $t_{CH}$   | (Note 7)                                      | 20  |     |     | ns    |
| SCLK Pulse-Width Low                         | $t_{CL}$   | (Note 7)                                      | 20  |     |     | ns    |
| $\overline{CS}$ Fall to SCLK Rise Setup Time | $t_{CSS}$  |   | 10  |     |     | ns    |
| SCLK Rise to $\overline{CS}$ Rise Hold Time  | $t_{CSH}$  |   | 5   |     |     | ns    |
| SCLK Rise to $\overline{CS}$ Fall Setup Time | $t_{CS0}$  |   | 10  |     |     | ns    |
| DIN to SCLK Rise Setup Time                  | $t_{DS}$   |   | 12  |     |     | ns    |
| DIN to SCLK Rise Hold Time                   | $t_{DH}$   |   | 5   |     |     | ns    |
| SCLK Rise to DOUTDC1 Valid Propagation Delay | $t_{DO1}$  | $C_L = 20pF$ , UPIO_ = DOUTDC1 mode           |     |     | 30  | ns    |
| SCLK Fall to DOUT_ Valid Propagation Delay   | $t_{DO2}$  | $C_L = 20pF$ , UPIO_ = DOUTDC0 or DOUTRB mode |     |     | 30  | ns    |
| $\overline{CS}$ Rise to SCLK Rise Hold Time  | $t_{CS1}$  | MICROWIRE and SPI modes 0 and 3               | 10  |     |     | ns    |
| $\overline{CS}$ Pulse-Width High             | $t_{CSW}$  |   | 45  |     |     | ns    |

# Buffered, Fast-Settling, Dual, 12-/10-/8-Bit, Voltage-Output DACs

## TIMING CHARACTERISTICS—DSP Mode Disabled (3V, 3.3V Logic) (Figure 1) (continued)

(DVDD = 2.7V to 5.25V, DGND = 0, TA = TMIN to TMAX, unless otherwise noted.)

| PARAMETER   | SYMBOL | CONDITIONS  | MIN | TYP | MAX | UNITS |
|---|--------|---|-----|-----|-----|-------|
| <b>UPIO TIMING CHARACTERISTICS</b>                                      |        |   |     |     |     |       |
| DOUT Tri-State Time when Exiting DOUTDC0, DOUTDC1, or DOUTRB UPIO Modes | tDOZ   | CL = 20pF, from end of write cycle to UPIO_ in high impedance             |     |     | 100 | ns    |
| DOUTRB Tri-State Time from $\overline{CS}$ Rise                         | tDRBZ  | CL = 20pF, from rising edge of $\overline{CS}$ to UPIO_ in high impedance |     |     | 20  | ns    |
| DOUTRB Tri-State Enable Time from 8th SCLK Rise                         | tZEN   | CL = 20pF, from 8th rising edge of SCLK to UPIO_ driven out of tri-state  | 0   |     |     | ns    |
| LDAC Pulse-Width Low  | tLDL   | Figure 5  | 20  |     |     | ns    |
| LDAC Effective Delay  | tLDS   | Figure 6  | 100 |     |     | ns    |
| CLR, MID, SET Pulse-Width Low   | tCMS   | Figure 5  | 20  |     |     | ns    |
| GPO Output Settling Time  | tGP    | Figure 6  |     |     | 100 | ns    |
| GPO Output High-Impedance Time  | tGPZ   |   |     |     | 100 | ns    |

## TIMING CHARACTERISTICS—DSP Mode Disabled (1.8V Logic) (Figure 1)

(DVDD = 1.8V to 5.25V, DGND = 0, TA = TMIN to TMAX, unless otherwise noted.)

| PARAMETER                                    | SYMBOL | CONDITIONS                                | MIN | TYP | MAX | UNITS |
|--|--------|---|-----|-----|-----|-------|
| SCLK Frequency                               | fSCLK  | 1.8V < DVDD < 5.25V                       |     |     | 10  | MHz   |
| SCLK Pulse-Width High                        | tCH    | (Note 7)                                  | 40  |     |     | ns    |
| SCLK Pulse-Width Low                         | tCL    | (Note 7)                                  | 40  |     |     | ns    |
| $\overline{CS}$ Fall to SCLK Rise Setup Time | tCSS   |   | 20  |     |     | ns    |
| SCLK Rise to $\overline{CS}$ Rise Hold Time  | tCSH   |   | 0   |     |     | ns    |
| SCLK Rise to $\overline{CS}$ Fall Setup Time | tCS0   |   | 10  |     |     | ns    |
| DIN to SCLK Rise Setup Time                  | tDS    |   | 20  |     |     | ns    |
| DIN to SCLK Rise Hold Time                   | tDH    |   | 5   |     |     | ns    |
| SCLK Rise to DOUTDC1 Valid Propagation Delay | tD01   | CL = 20pF, UPIO_ = DOUTDC1 mode           |     |     | 60  | ns    |
| SCLK Fall to DOUT_ Valid Propagation Delay   | tD02   | CL = 20pF, UPIO_ = DOUTDC0 or DOUTRB mode |     |     | 60  | ns    |
| $\overline{CS}$ Rise to SCLK Rise Hold Time  | tCS1   | MICROWIRE and SPI modes 0 and 3           | 20  |     |     | ns    |
| $\overline{CS}$ Pulse-Width High             | tCSW   |   | 90  |     |     | ns    |

# Buffered, Fast-Settling, Dual, 12-/10-/8-Bit, Voltage-Output DACs

MAX5290-MAX5295

## TIMING CHARACTERISTICS—DSP Mode Disabled (1.8V Logic) (Figure 1) (continued)

(DV<sub>DD</sub> = 1.8V to 5.25V, DGND = 0, T<sub>A</sub> = T<sub>MIN</sub> to T<sub>MAX</sub>, unless otherwise noted.)

| PARAMETER   | SYMBOL            | CONDITIONS   | MIN | TYP | MAX | UNITS |
|---|-------------------|--|-----|-----|-----|-------|
| <b>UPIO_ TIMING CHARACTERISTICS</b>                                     |                   |  |     |     |     |       |
| DOUT Tri-State Time when Exiting DOUTDC0, DOUTDC1, or DOUTRB UPIO Modes | t <sub>DOZ</sub>  | C <sub>L</sub> = 20pF, from end of write cycle to UPIO_ in high impedance                    |     |     | 200 | ns    |
| DOUTRB Tri-State Time from $\overline{\text{CS}}$ Rise                  | t <sub>DRBZ</sub> | C <sub>L</sub> = 20pF, from rising edge of $\overline{\text{CS}}$ to UPIO_ in high impedance |     |     | 40  | ns    |
| DOUTRB Tri-State Enable Time from 8th SCLK Rise                         | t <sub>ZEN</sub>  | C <sub>L</sub> = 20pF, from 8th rising edge of SCLK to UPIO_ driven out of tri-state         | 0   |     |     | ns    |
| $\overline{\text{LDAC}}$ Pulse-Width Low                                | t <sub>LDL</sub>  | Figure 5   | 40  |     |     | ns    |
| $\overline{\text{LDAC}}$ Effective Delay                                | t <sub>LDS</sub>  | Figure 6   | 200 |     |     | ns    |
| CLR, MID, SET Pulse-Width Low   | t <sub>CMS</sub>  | Figure 5   | 40  |     |     | ns    |
| GPO Output Settling Time  | t <sub>GP</sub>   | Figure 6   |     |     | 200 | ns    |
| GPO Output High-Impedance Time  | t <sub>GPZ</sub>  |  |     |     | 200 | ns    |

## TIMING CHARACTERISTICS—DSP Mode Enabled (3V, 3.3V Logic) (Figure 2)

(DV<sub>DD</sub> = 2.7V to 5.25V, DGND = 0, T<sub>A</sub> = T<sub>MIN</sub> to T<sub>MAX</sub>, unless otherwise noted.)

| PARAMETER  | SYMBOL             | CONDITIONS  | MIN | TYP | MAX | UNITS |
|--|--------------------|---|-----|-----|-----|-------|
| SCLK Frequency                                       | f <sub>SCLK</sub>  | 2.7V < DV <sub>DD</sub> < 5.25V                       |     |     | 20  | MHz   |
| SCLK Pulse-Width High                                | t <sub>CH</sub>    | (Note 7)  | 20  |     |     | ns    |
| SCLK Pulse-Width Low                                 | t <sub>CL</sub>    | (Note 7)  | 20  |     |     | ns    |
| $\overline{\text{CS}}$ Fall to SCLK Fall Setup Time  | t <sub>CSS</sub>   |   | 10  |     |     | ns    |
| $\overline{\text{DSP}}$ Fall to SCLK Fall Setup Time | t <sub>DSS</sub>   |   | 10  |     |     | ns    |
| SCLK Fall to $\overline{\text{CS}}$ Rise Hold Time   | t <sub>CSH</sub>   |   | 5   |     |     | ns    |
| SCLK Fall to $\overline{\text{CS}}$ Fall Delay       | t <sub>CS0</sub>   |   | 10  |     |     | ns    |
| SCLK Fall to $\overline{\text{DSP}}$ Fall Delay      | t <sub>DS0</sub>   |   | 10  |     |     | ns    |
| DIN to SCLK Fall Setup Time                          | t <sub>DS</sub>    |   | 12  |     |     | ns    |
| DIN to SCLK Fall Hold Time                           | t <sub>DH</sub>    |   | 5   |     |     | ns    |
| SCLK Rise to DOUT_ Valid Propagation Delay           | t <sub>DO1</sub>   | C <sub>L</sub> = 20pF, UPIO_ = DOUTDC1 or DOUTRB mode |     |     | 30  | ns    |
| SCLK Fall to DOUTDC0 Valid Propagation Delay         | t <sub>DO2</sub>   | C <sub>L</sub> = 20pF, UPIO_ = DOUTDC0 mode           |     |     | 30  | ns    |
| $\overline{\text{CS}}$ Rise to SCLK Fall Hold Time   | t <sub>CS1</sub>   | MICROWIRE and SPI modes 0 and 3                       | 10  |     |     | ns    |
| $\overline{\text{CS}}$ Pulse-Width High              | t <sub>CSW</sub>   |   | 45  |     |     | ns    |
| $\overline{\text{DSP}}$ Pulse-Width High             | t <sub>DSW</sub>   |   | 20  |     |     | ns    |
| $\overline{\text{DSP}}$ Pulse-Width Low              | t <sub>DSPWL</sub> | (Note 8)  | 20  |     |     | ns    |

# Buffered, Fast-Settling, Dual, 12-/10-/8-Bit, Voltage-Output DACs

## TIMING CHARACTERISTICS—DSP Mode Enabled (3V, 3.3V Logic) (Figure 2) (continued)

(DV<sub>DD</sub> = 2.7V to 5.25V, DGND = 0, T<sub>A</sub> = T<sub>MIN</sub> to T<sub>MAX</sub>, unless otherwise noted.)

| PARAMETER   | SYMBOL            | CONDITIONS   | MIN | TYP | MAX | UNITS |
|---|-------------------|--|-----|-----|-----|-------|
| <b>UPIO_ TIMING CHARACTERISTICS</b>   |                   |  |     |     |     |       |
| DOUT Tri-State Time when Exiting DOUTDC0, DOUTDC1, or DOUTRB UPIO Modes                     | t <sub>DOZ</sub>  | C <sub>L</sub> = 20pF, from end of write cycle to UPIO_ in high impedance                    |     |     | 100 | ns    |
| DOUTRB Tri-State Time from $\overline{\text{CS}}$ Rise                                      | t <sub>DRBZ</sub> | C <sub>L</sub> = 20pF, from rising edge of $\overline{\text{CS}}$ to UPIO_ in high impedance |     |     | 20  | ns    |
| DOUTRB Tri-State Enable Time from 8th SCLK Fall   | t <sub>ZEN</sub>  | C <sub>L</sub> = 20pF, from 8th falling edge of SCLK to UPIO_ driven out of tri-state        | 0   |     |     | ns    |
| $\overline{\text{LDAC}}$ Pulse-Width Low  | t <sub>LDL</sub>  | Figure 5   | 20  |     |     | ns    |
| $\overline{\text{LDAC}}$ Effective Delay  | t <sub>LDS</sub>  | Figure 6   | 100 |     |     | ns    |
| $\overline{\text{CLR}}$ , $\overline{\text{MID}}$ , $\overline{\text{SET}}$ Pulse-Width Low | t <sub>CMS</sub>  | Figure 5   | 20  |     |     | ns    |
| GPO Output Settling Time  | t <sub>GP</sub>   | Figure 6   |     |     | 100 | ns    |
| GPO Output High-Impedance Time  | t <sub>GPZ</sub>  |  |     |     | 100 | ns    |

## TIMING CHARACTERISTICS—DSP Mode Enabled (1.8V Logic) (Figure 2)

(DV<sub>DD</sub> = 1.8V to 5.25V, DGND = 0, T<sub>A</sub> = T<sub>MIN</sub> to T<sub>MAX</sub>, unless otherwise noted.)

| PARAMETER  | SYMBOL             | CONDITIONS  | MIN | TYP | MAX | UNITS |
|--|--------------------|---|-----|-----|-----|-------|
| SCLK Frequency                                       | f <sub>SCLK</sub>  | 1.8V < DV <sub>DD</sub> < 5.25V                       |     |     | 10  | MHz   |
| SCLK Pulse-Width High                                | t <sub>CH</sub>    | (Note 7)  | 40  |     |     | ns    |
| SCLK Pulse-Width Low                                 | t <sub>CL</sub>    | (Note 7)  | 40  |     |     | ns    |
| $\overline{\text{CS}}$ Fall to SCLK Fall Setup Time  | t <sub>CSS</sub>   |   | 20  |     |     | ns    |
| $\overline{\text{DSP}}$ Fall to SCLK Fall Setup Time | t <sub>DSS</sub>   |   | 20  |     |     | ns    |
| SCLK Fall to $\overline{\text{CS}}$ Rise Hold Time   | t <sub>CSH</sub>   |   | 0   |     |     | ns    |
| SCLK Fall to $\overline{\text{CS}}$ Fall Delay       | t <sub>CS0</sub>   |   | 10  |     |     | ns    |
| SCLK Fall to $\overline{\text{DSP}}$ Fall Delay      | t <sub>DS0</sub>   |   | 15  |     |     | ns    |
| DIN to SCLK Fall Setup Time                          | t <sub>DS</sub>    |   | 20  |     |     | ns    |
| DIN to SCLK Fall Hold Time                           | t <sub>DH</sub>    |   | 5   |     |     | ns    |
| SCLK Rise to DOUT_ Valid Propagation Delay           | t <sub>DO1</sub>   | C <sub>L</sub> = 20pF, UPIO_ = DOUTDC1 or DOUTRB mode |     |     | 60  | ns    |
| SCLK Fall to DOUTDC0 Valid Propagation Delay         | t <sub>DO2</sub>   | C <sub>L</sub> = 20pF, UPIO_ = DOUTDC0 mode           |     |     | 60  | ns    |
| $\overline{\text{CS}}$ Rise to SCLK Fall Hold Time   | t <sub>CS1</sub>   | MICROWIRE and SPI modes 0 and 3                       | 20  |     |     | ns    |
| $\overline{\text{CS}}$ Pulse-Width High              | t <sub>CSW</sub>   |   | 90  |     |     | ns    |
| $\overline{\text{DSP}}$ Pulse-Width High             | t <sub>DSW</sub>   |   | 40  |     |     | ns    |
| $\overline{\text{DSP}}$ Pulse-Width Low              | t <sub>DSPWL</sub> | (Note 8)  | 40  |     |     | ns    |



# Buffered, Fast-Settling, Dual, 12-/10-/8-Bit, Voltage-Output DACs

MAX5290-MAX5295

## TIMING CHARACTERISTICS—DSP Mode Enabled (1.8V Logic) (Figure 2) (continued)

(DVDD = 1.8V to 5.25V, DGND = 0, TA = TMIN to TMAX, unless otherwise noted.)

| PARAMETER  | SYMBOL | CONDITIONS  | MIN | TYP | MAX | UNITS |
|--|--------|---|-----|-----|-----|-------|
| <b>UPIO_ TIMING CHARACTERISTICS</b>                                      |        |   |     |     |     |       |
| DOUT Tri-State Time when Exiting DOUTDC0, DOUTDC1, or DOUTRB UPIO_ Modes | tDOZ   | CL = 20pF, from end of write cycle to UPIO_ in high impedance             |     |     | 200 | ns    |
| DOUTRB Tri-State Time from CS Rise                                       | tDRBZ  | CL = 20pF, from rising edge of CS to UPIO_ in high impedance              |     |     | 40  | ns    |
| DOUTRB Tri-State Enable Time from 8th SCLK Fall                          | tZEN   | CL = 20pF, from 8th falling edge of SCLK to UPIO_ driven out of tri-state | 0   |     |     | ns    |
| LDAC Pulse-Width Low   | tLDL   | Figure 5  | 40  |     |     | ns    |
| LDAC Effective Delay   | tLDS   | Figure 6  | 200 |     |     | ns    |
| CLR, MID, SET Pulse-Width Low  | tCMS   | Figure 5  | 40  |     |     | ns    |
| GPO Output Settling Time   | tGP    | Figure 6  |     |     | 200 | ns    |
| GPO Output High-Impedance Time   | tGPZ   |   |     |     | 200 | ns    |

**Note 1:** For the force-sense versions, FB\_ is connected to its respective OUT\_. VOUT(max) = VREF / 2, unless otherwise noted.

**Note 2:** Linearity guaranteed from decimal code 40 to 4095 for the MAX5290A/MAX5291A (12-bit, A-grade), code 82 to 4095 for the MAX5290B/MAX5291B (12-bit, B-grade), code 21 to 1023 for the MAX5292/MAX5293 (10-bit), and code 5 to 255 for the MAX5294/MAX5295 (8-bit).

**Note 3:** DAC-to-DAC crosstalk is measured as follows: outputs of DACA and DACB are set to full scale and the output of DACB is measured. While keeping DACB unchanged, the output of DACA is transitioned to zero scale and the  $\Delta V_{OUT}$  of DACB is measured. The procedure is repeated with DACA and DACB interchanged. DAC-to-DAC crosstalk is the maximum  $\Delta V_{OUT}$  measured.

**Note 4:** Represents the functional range. The linearity is guaranteed at VREF = 2.5V. See the *Typical Operating Characteristics* section for linearity at other voltages.

**Note 5:** Guaranteed by design.

**Note 6:** The reference -3dB bandwidth is measured with a 0.1VP-P sine wave on VREF and with the input code at full scale.

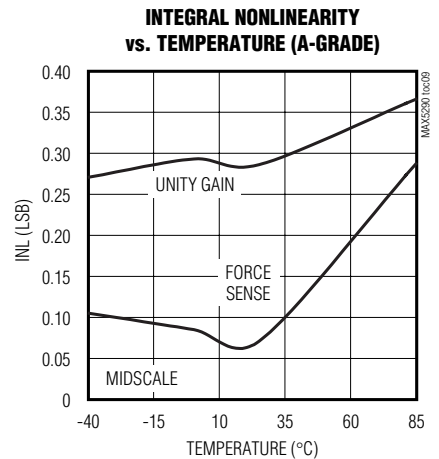
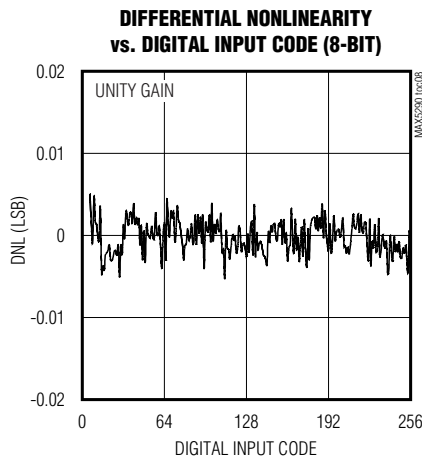
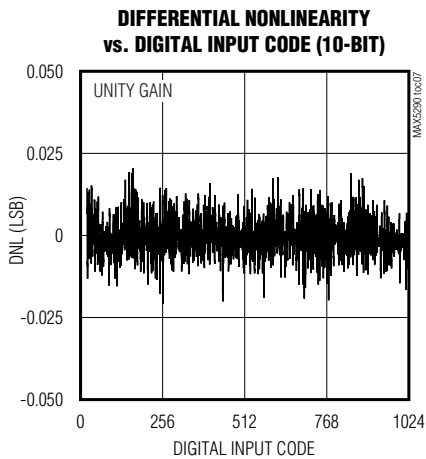
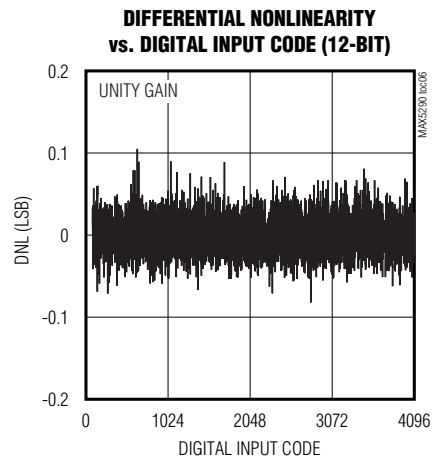
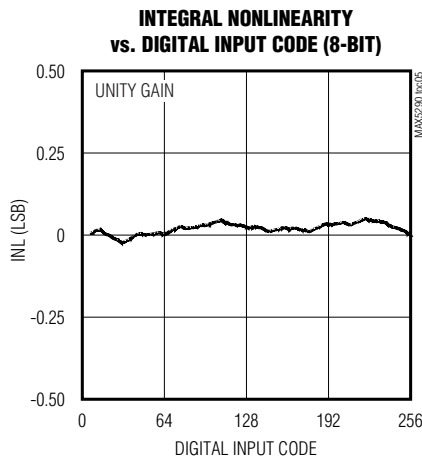
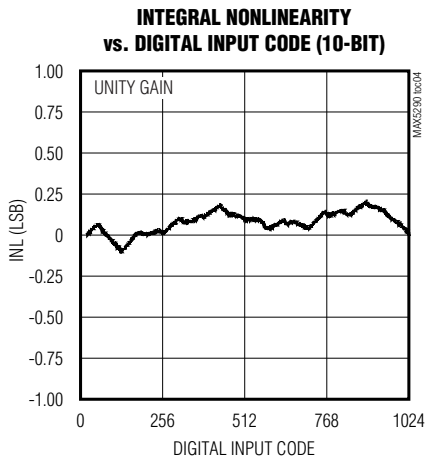
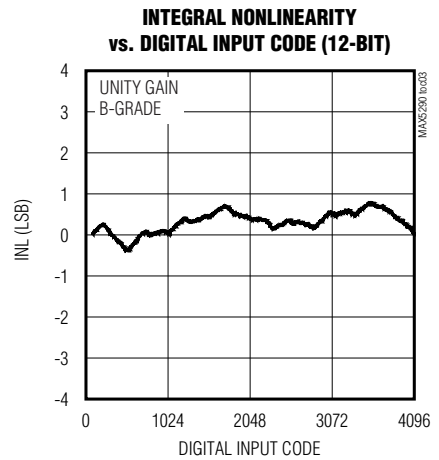
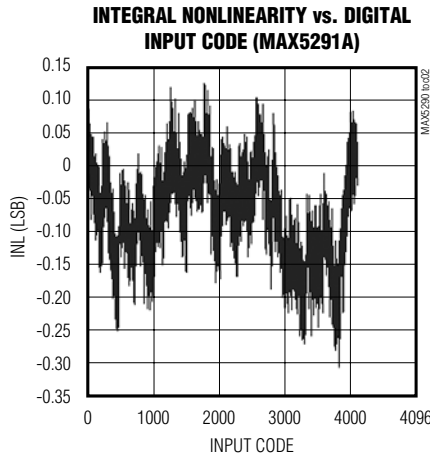
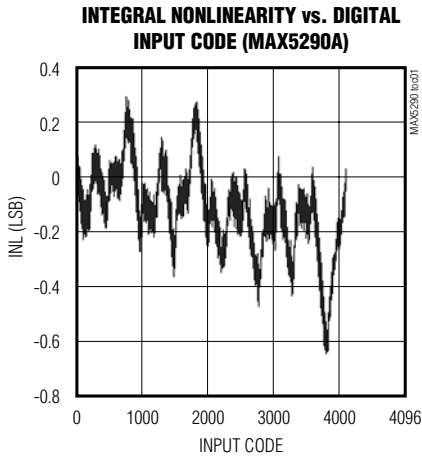
**Note 7:** In some daisy-chain modes, data is required to be clocked in on one clock edge and the shifted data clocked out on the following edge. In the case of a 1/2 clock-period delay, it is necessary to increase the minimum high/low clock times to 25ns (2.7V) or 50ns (1.8V).

**Note 8:** The falling edge of DSP starts a DSP-type bus cycle, provided that CS is also active low to select the device. DSP active low and CS active low must overlap by a minimum of 10ns (2.7V) or 20ns (1.8V). CS can be permanently low in this mode of

# Buffered, Fast-Settling, Dual, 12-/10-/8-Bit, Voltage-Output DACs

## Typical Operating Characteristics

( $V_{DD} = DV_{DD} = 3V$ ,  $V_{REF} = 2.5V$ ,  $R_L = 10k\Omega$ ,  $C_L = 100pF$ , speed mode = FAST, PU = floating,  $T_A = +25^\circ C$ , unless otherwise noted.)

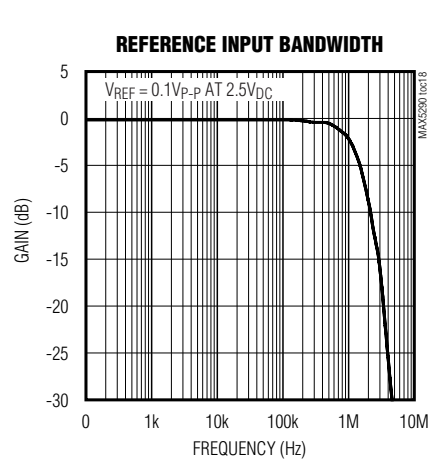
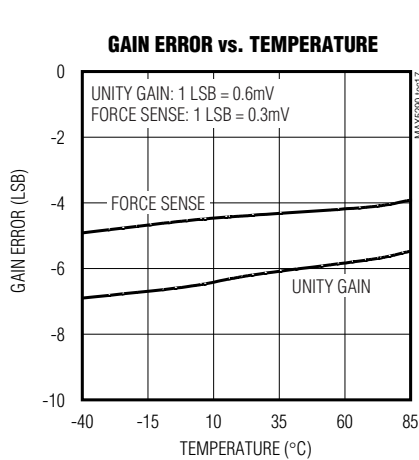
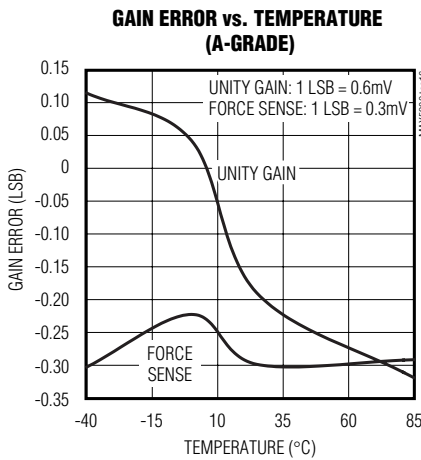
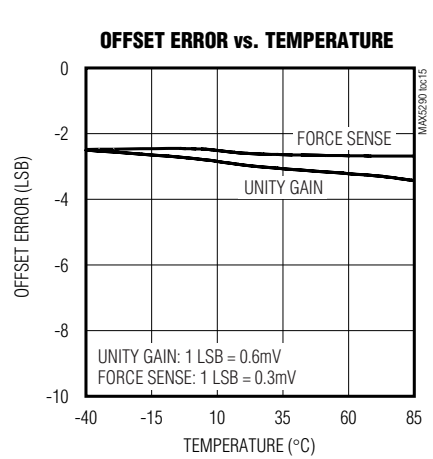
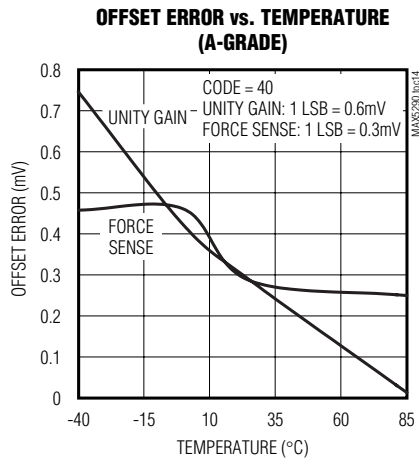
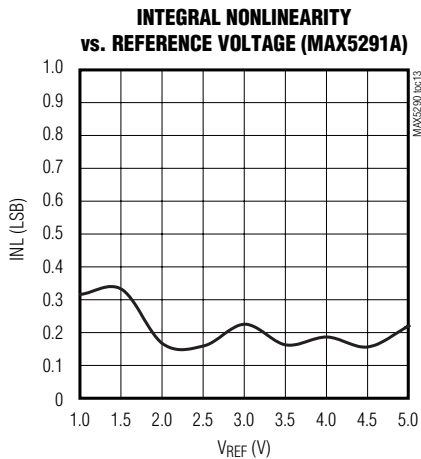
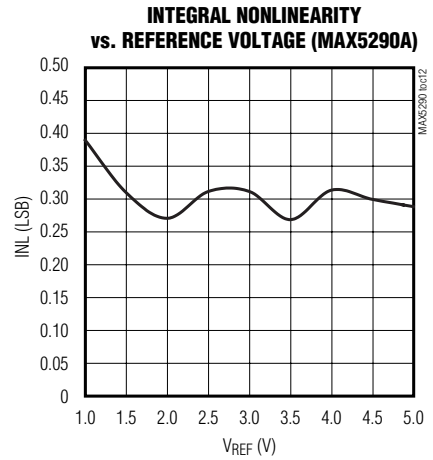
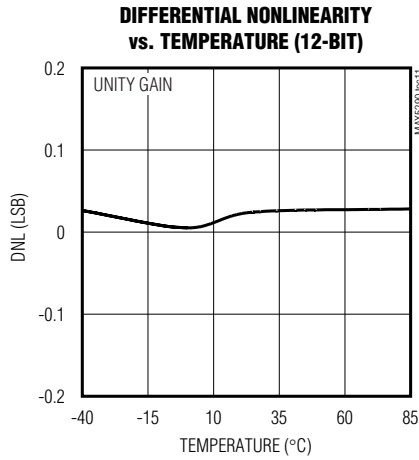
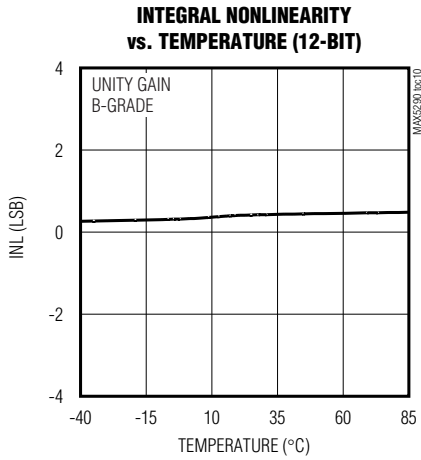


# Buffered, Fast-Settling, Dual, 12-/10-/8-Bit, Voltage-Output DACs

## Typical Operating Characteristics (continued)

( $V_{DD} = DV_{DD} = 3V$ ,  $V_{REF} = 2.5V$ ,  $R_L = 10k\Omega$ ,  $C_L = 100pF$ , speed mode = FAST, PU = floating,  $T_A = +25^\circ C$ , unless otherwise noted.)

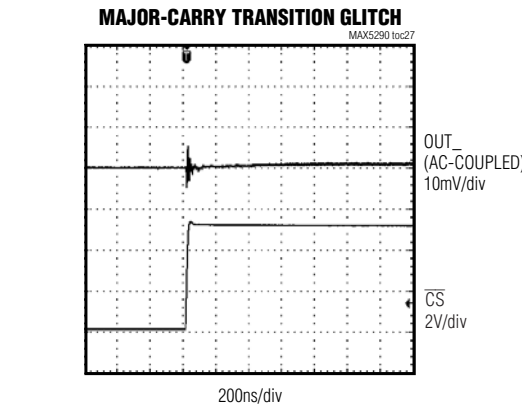
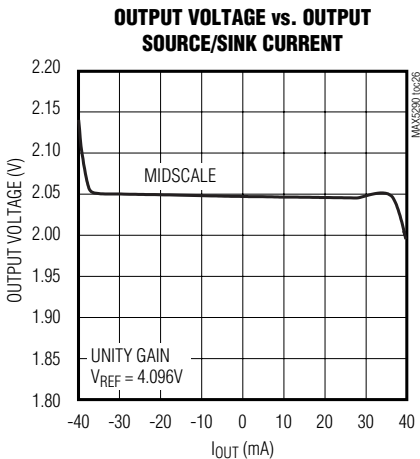
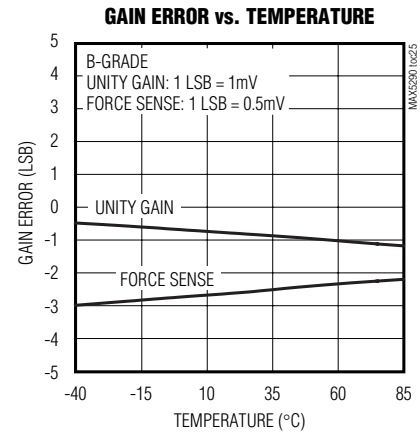
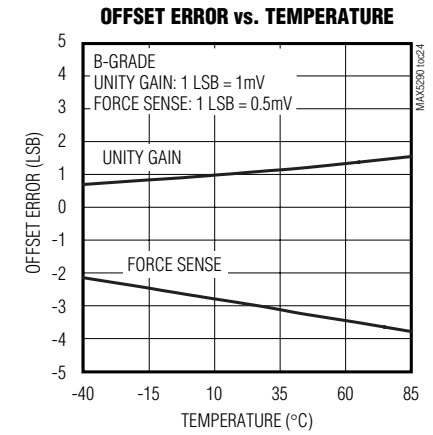
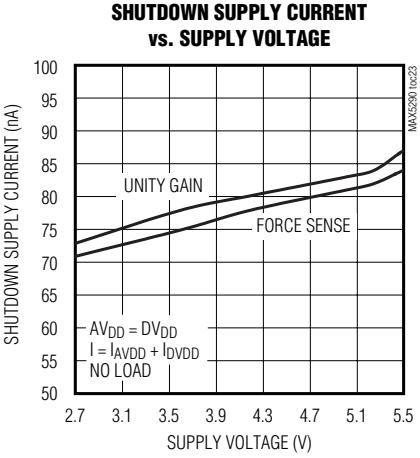
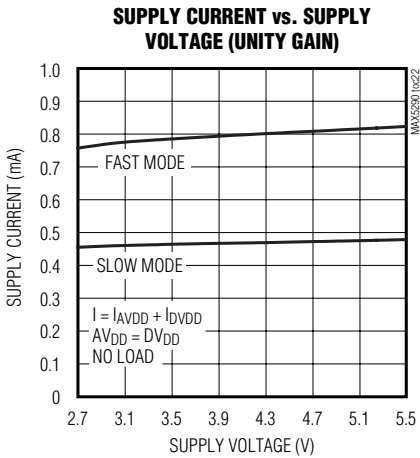
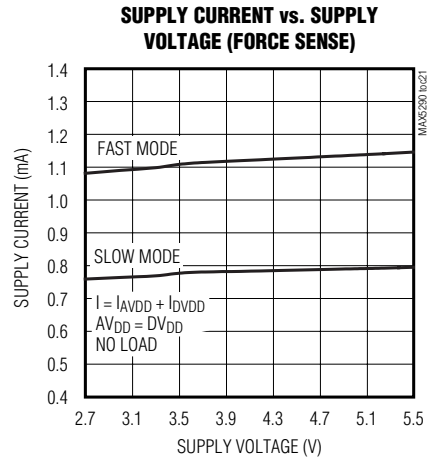
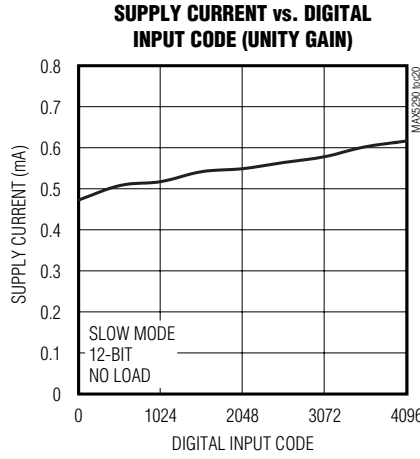
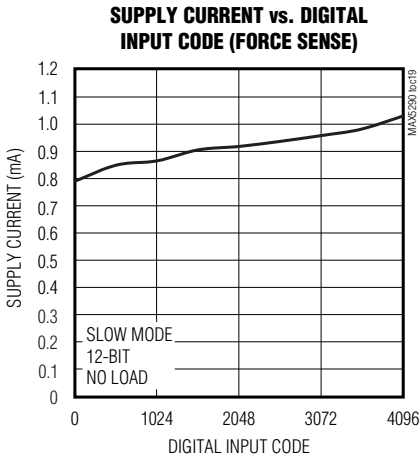
MAX5290-MAX5295



# Buffered, Fast-Settling, Dual, 12-/10-/8-Bit, Voltage-Output DACs

## Typical Operating Characteristics

( $T_A = +25^\circ\text{C}$ , unless otherwise noted.)



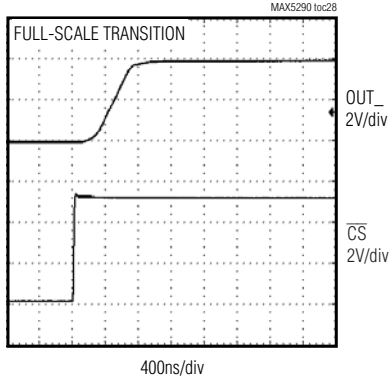
# Buffered, Fast-Settling, Dual, 12-/10-/8-Bit, Voltage-Output DACs

## Typical Operating Characteristics

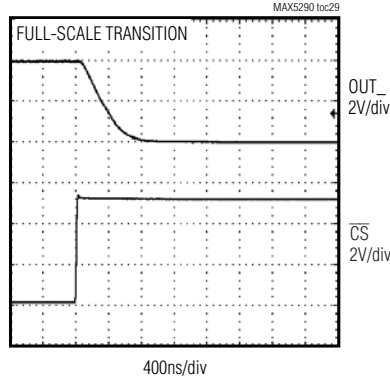
( $T_A = +25^\circ\text{C}$ , unless otherwise noted.)

**MAX5290-MAX5295**

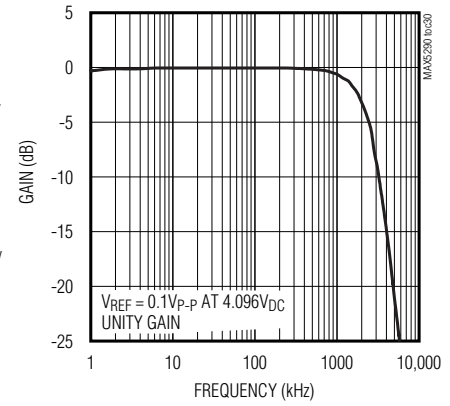
**SETTLING TIME POSITIVE**



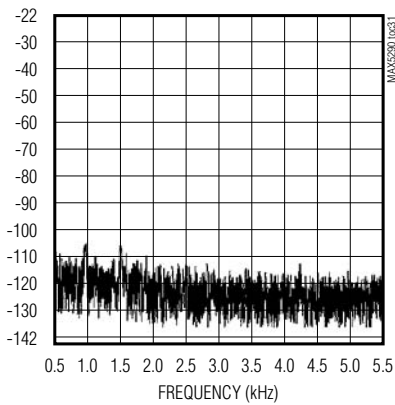
**SETTLING TIME NEGATIVE**



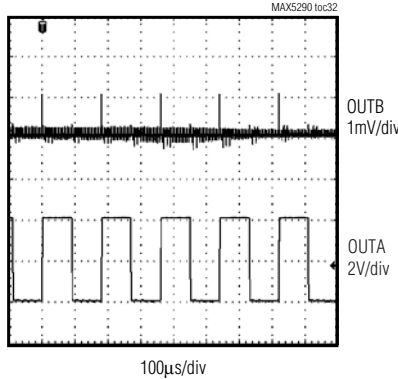
**REFERENCE INPUT BANDWIDTH**



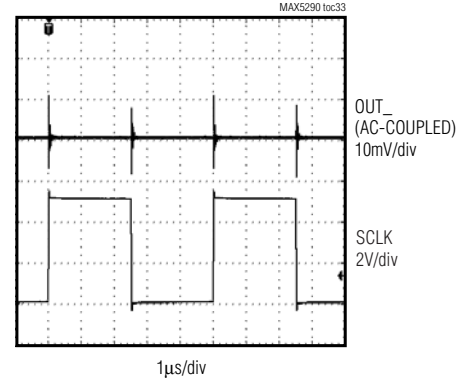
**REFERENCE FEEDTHROUGH AT 1kHz**



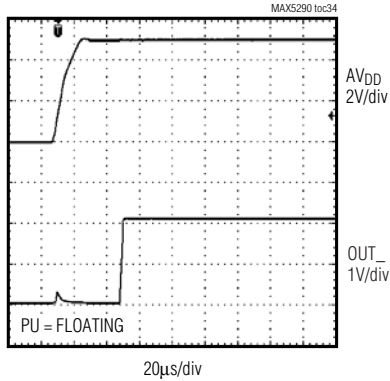
**DAC-TO-DAC CROSSTALK**



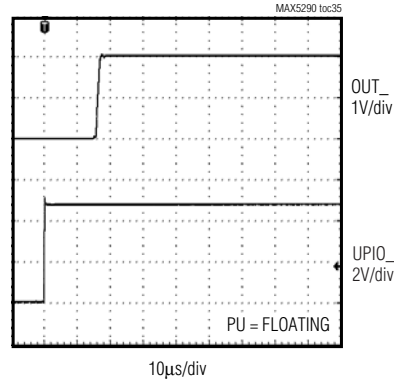
**DIGITAL FEEDTHROUGH**



**POWER-UP GLITCH**



**EXITING SHUTDOWN TO MIDSCALE**



# Buffered, Fast-Settling, Dual, 12-/10-/8-Bit, Voltage-Output DACs

**MAX5290-MAX5295**

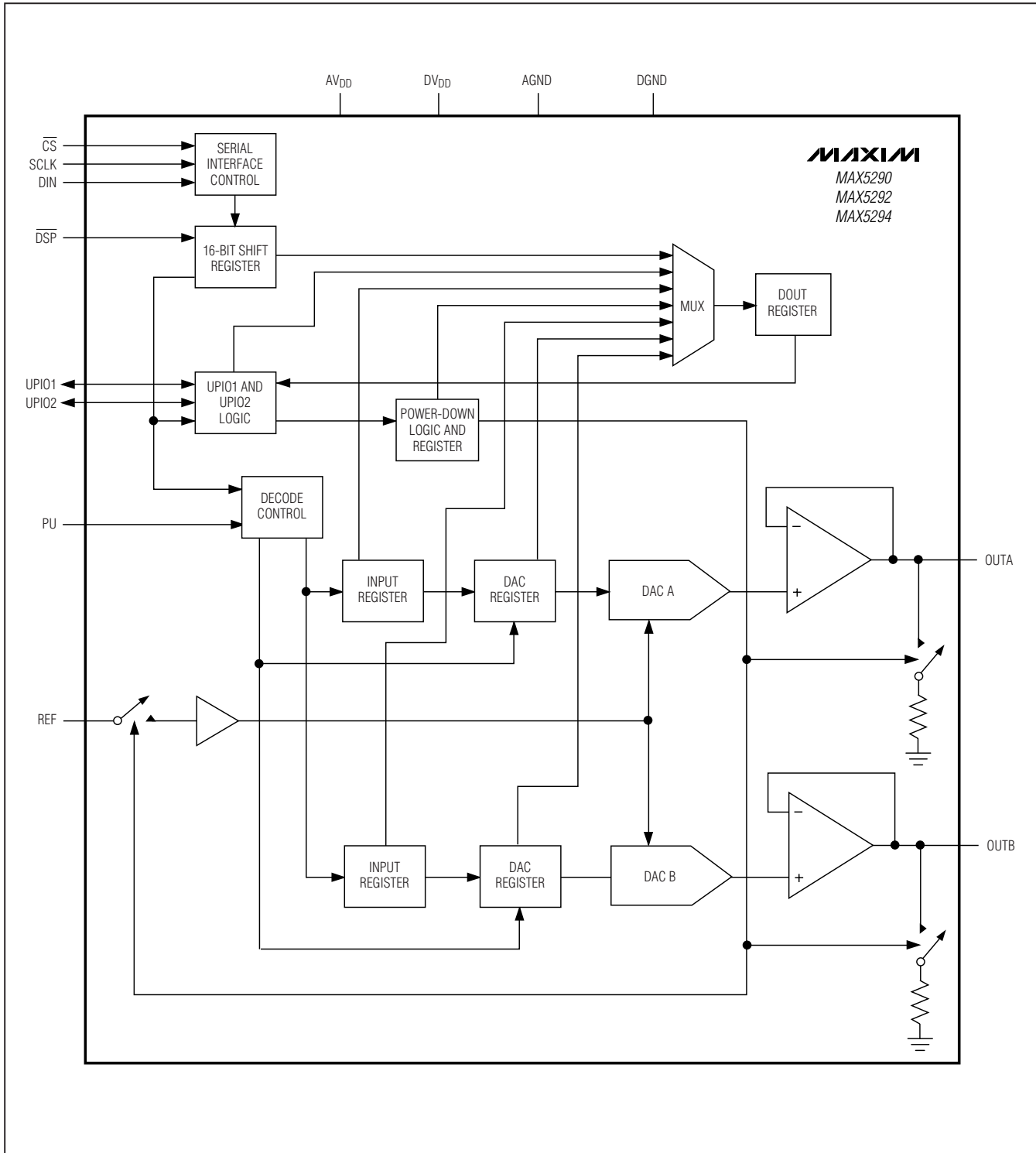
## Pin Description

| PIN                           |       |                               |       | NAME                    | FUNCTION  |
|-------------------------------|-------|-------------------------------|-------|-------------------------|---|
| MAX5290<br>MAX5292<br>MAX5294 |       | MAX5291<br>MAX5293<br>MAX5295 |       |                         |   |
| THIN QFN                      | TSSOP | THIN QFN                      | TSSOP |                         |   |
| 1                             | 2     | 1                             | 3     | $\overline{\text{DSP}}$ | Clock Enable. Connect $\overline{\text{DSP}}$ to $\text{DV}_{\text{DD}}$ at power-up to transfer data on the rising edge of SCLK. Connect $\overline{\text{DSP}}$ to DGND at power-up to transfer data on the falling edge of SCLK.                   |
| 2                             | 3     | 2                             | 4     | DIN                     | Serial Data Input   |
| 3                             | 4     | 3                             | 5     | $\overline{\text{CS}}$  | Active-Low Chip-Select Input  |
| 4                             | 5     | 4                             | 6     | SCLK                    | Serial Clock Input  |
| 5                             | 6     | 5                             | 7     | $\text{DV}_{\text{DD}}$ | Digital Supply  |
| 6                             | 7     | 6                             | 8     | DGND                    | Digital Ground  |
| 7                             | 8     | 7                             | 9     | AGND                    | Analog Ground   |
| 8                             | 9     | 8                             | 10    | $\text{AV}_{\text{DD}}$ | Analog Supply   |
| 9                             | 10    | 9                             | 11    | OUTB                    | DACB Output   |
| —                             | —     | 10                            | 12    | FBB                     | Feedback for DACB Output Buffer   |
| 10                            | 11    | 11                            | 13    | REF                     | Reference Input   |
| —                             | —     | 12                            | 14    | FBA                     | Feedback for DACA Output Buffer   |
| 11, 13                        | —     | —                             | —     | N.C.                    | No Connection. Not internally connected.  |
| 12                            | 12    | 13                            | 15    | OUTA                    | DACA Output   |
| 14                            | 13    | 14                            | 16    | PU                      | Power-Up State Select Input. Connect PU to $\text{DV}_{\text{DD}}$ to set OUTA and OUTB to full scale upon power-up. Connect PU to DGND to set OUTA and OUTB to zero upon power-up. Leave PU floating to set OUTA and OUTB to midscale upon power-up. |
| 15                            | 14    | 15                            | 1     | UPIO2                   | User-Programmable Input/Output 2  |
| 16                            | 1     | 16                            | 2     | UPIO1                   | User-Programmable Input/Output 1  |
| —                             | —     | —                             | —     | EP                      | Exposed Paddle (QFN Only). Not internally connected. Do not connect to circuitry.   |

# Buffered, Fast-Settling, Dual, 12-/10-/8-Bit, Voltage-Output DACs

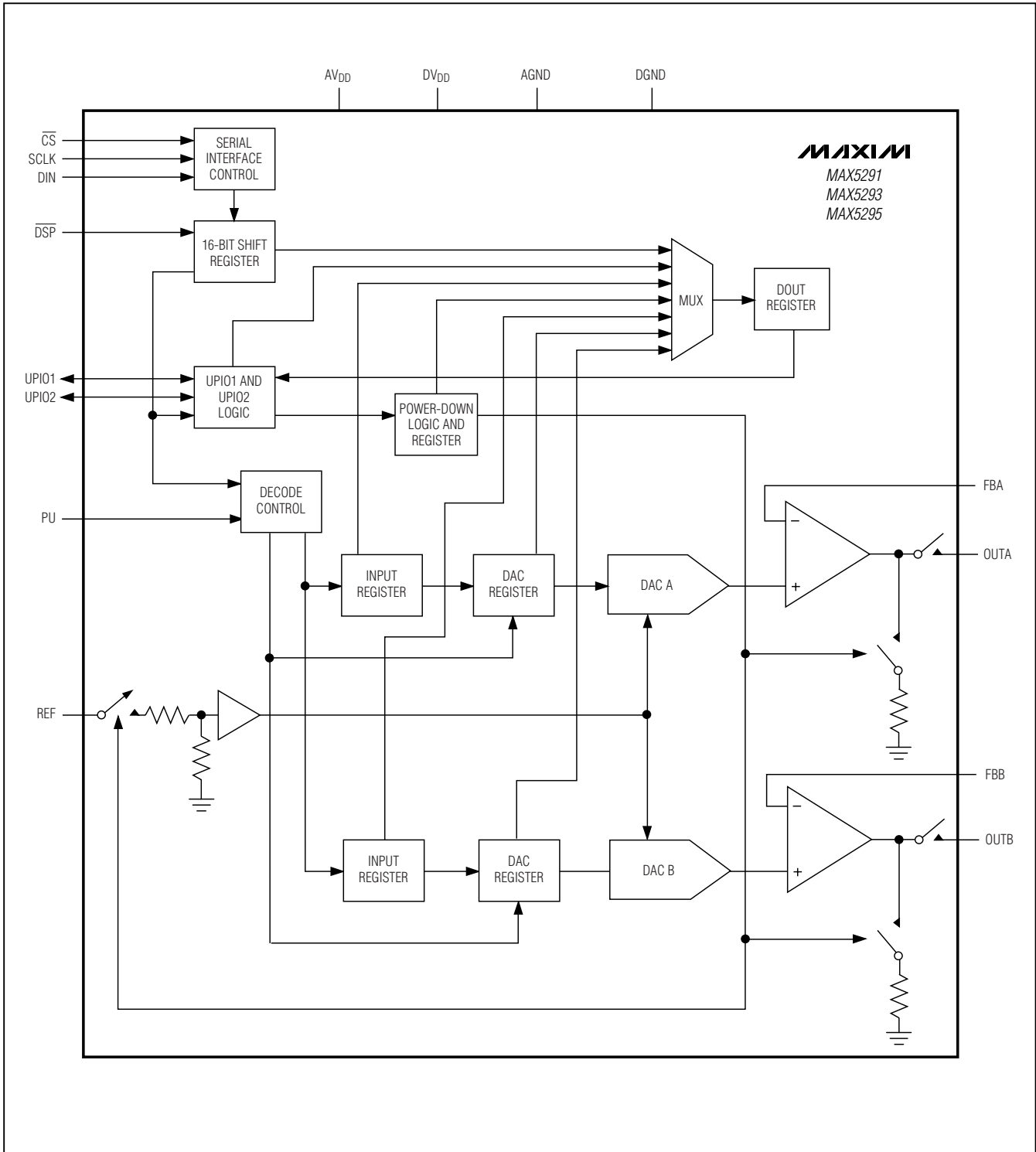
## Functional Diagrams

MAX5290-MAX5295



# Buffered, Fast-Settling, Dual, 12-/10-/8-Bit, Voltage-Output DACs

## Functional Diagrams (continued)





# Buffered, Fast-Settling, Dual, 12-/10-/8-Bit, Voltage-Output DACs

## Detailed Description

The MAX5290–MAX5295 dual, 12-/10-/8-bit, voltage-output digital-to-analog converters (DACs) offer buffered outputs and a 3 $\mu$ s maximum settling time at the 12-bit level. The DACs operate from a single 2.7V to 5.25V analog supply and a separate 1.8V to AV<sub>DD</sub> digital supply. The MAX5290–MAX5295 include an input register and DAC register for each channel and a 16-bit data-in/data-out shift register. The 3-wire serial interface is compatible with SPI, QSPI, MICROWIRE, and DSP applications. The MAX5290–MAX5295 provide two user-programmable digital I/O ports, which are programmed through the serial interface. The externally selectable power-up states of the DAC outputs are either zero scale, midscale, or full scale.

### Reference Input

The reference input, REF, accepts both AC and DC values with a voltage range extending from 0.25V to AV<sub>DD</sub>. The voltage at REF (V<sub>REF</sub>) sets the full-scale output of the DACs. Determine the output voltage using the following equation:

Unity-gain versions:

$$V_{OUT\_} = (V_{REF} \times \text{CODE}) / 2^N$$

Force-sense versions (FB\_ connected to OUT\_):

$$V_{OUT} = 0.5 \times (V_{REF} \times \text{CODE}) / 2^N$$

where CODE is the numeric value of the DAC's binary input code and N is the bits of resolution. For the MAX5290/MAX5291, N = 12 and CODE ranges from 0 to 4095. For the MAX5292/MAX5293, N = 10 and CODE ranges from 0 to 1023. For the MAX5294/MAX5295, N = 8 and CODE ranges from 0 to 255.

### Output Buffers

The DACA and DACB output-buffer amplifiers of the MAX5290–MAX5295 are unity-gain stable with rail-to-rail output voltage swings and a typical slew rate of 5.7V/ $\mu$ s. The MAX5290/MAX5292/MAX5294 provide unity-gain outputs, while the MAX5291/MAX5293/MAX5295 provide force-sense outputs. For the MAX5291/MAX5293/MAX5295, access to the output amplifier's inverting input provides flexibility in output gain setting and signal conditioning (see the *Applications Information* section).

The MAX5290–MAX5295 offer FAST and SLOW-settling time modes. In the FAST mode, the settling time is 3 $\mu$ s (max), and the supply current is 2mA (max). In the SLOW mode, the settling time is 6 $\mu$ s (max), and the supply current drops to 0.8mA (max). See the *Digital Interface* section for settling-time mode programming details.

Use the serial interface to set the shutdown output impedance of the amplifiers to 1k $\Omega$  or 100k $\Omega$  for the MAX5290/MAX5292/MAX5294 and 1k $\Omega$  or high impedance for the MAX5291/MAX5293/MAX5295. The DAC outputs can drive a 2k $\Omega$  (typ) load and are stable with up to 500pF (typ) of capacitive load.

### Power-On Reset

At power-up, all DAC outputs power up to full scale, midscale, or zero scale, depending on the configuration of the PU input. Connect PU to DV<sub>DD</sub> to set OUT\_ to full scale upon power-up. Connect PU to DGND to set OUT\_ to zero scale upon power-up. Leave PU floating to set OUT\_ to midscale.

### Digital Interface

The MAX5290–MAX5295 use a 3-wire serial interface that is compatible with SPI, QSPI, MICROWIRE, and DSPs (Figures 1 and 2). Connect  $\overline{\text{DSP}}$  to DV<sub>DD</sub> before power-up to clock data in on the rising edge of SCLK. Connect  $\overline{\text{DSP}}$  to DGND before power-up to clock data in on the falling edge of SCLK. After power-up, the device enters DSP frame sync mode on the first rising edge of  $\overline{\text{DSP}}$ . Refer to the *Programmer's Handbook* for details.

Each MAX5290–MAX5295 includes a 16-bit input shift register. The data is loaded into the input shift register through the serial interface. The 16 bits can be sent in two serial 8-bit packets or one 16-bit word ( $\overline{\text{CS}}$  must remain low until all 16 bits are transferred). The data is loaded MSB first. For the MAX5290/MAX5291, the 16 bits consist of 4 control bits (C3–C0) and 12 data bits (D11–D0) (see Table 1). For the 10-bit MAX5292/MAX5293 devices, D11–D2 are the data bits and D1 and D0 are sub-bits. For the 8-bit MAX5294/MAX5295 devices, D11–D4 are the data bits and D3–D0 are sub-bits. Set all sub-bits to zero for optimum performance.

Each DAC channel includes two registers: an input register and the DAC register. At power-up, the DAC output is set according to the state of PU. The DACs are double-buffered, which allows any of the following for each channel:

- Loading the input register without updating the DAC register
- Loading the DAC register without updating the input register
- Updating the DAC register from the input register
- Updating the input and DAC registers simultaneously

# Buffered, Fast-Settling, Dual, 12-/10-/8-Bit, Voltage-Output DACs

Table 1. Serial Write Data Format

| MSB          |    |    |    | 16 BITS OF SERIAL DATA |     |    |    |    |    |    |    |    |    |    |    | LSB |
|--------------|----|----|----|------------------------|-----|----|----|----|----|----|----|----|----|----|----|-----|
| CONTROL BITS |    |    |    | DATA BITS              |     |    |    |    |    |    |    |    |    |    |    |     |
| C3           | C2 | C1 | C0 | D11                    | D10 | D9 | D8 | D7 | D6 | D5 | D4 | D3 | D2 | D1 | D0 |     |

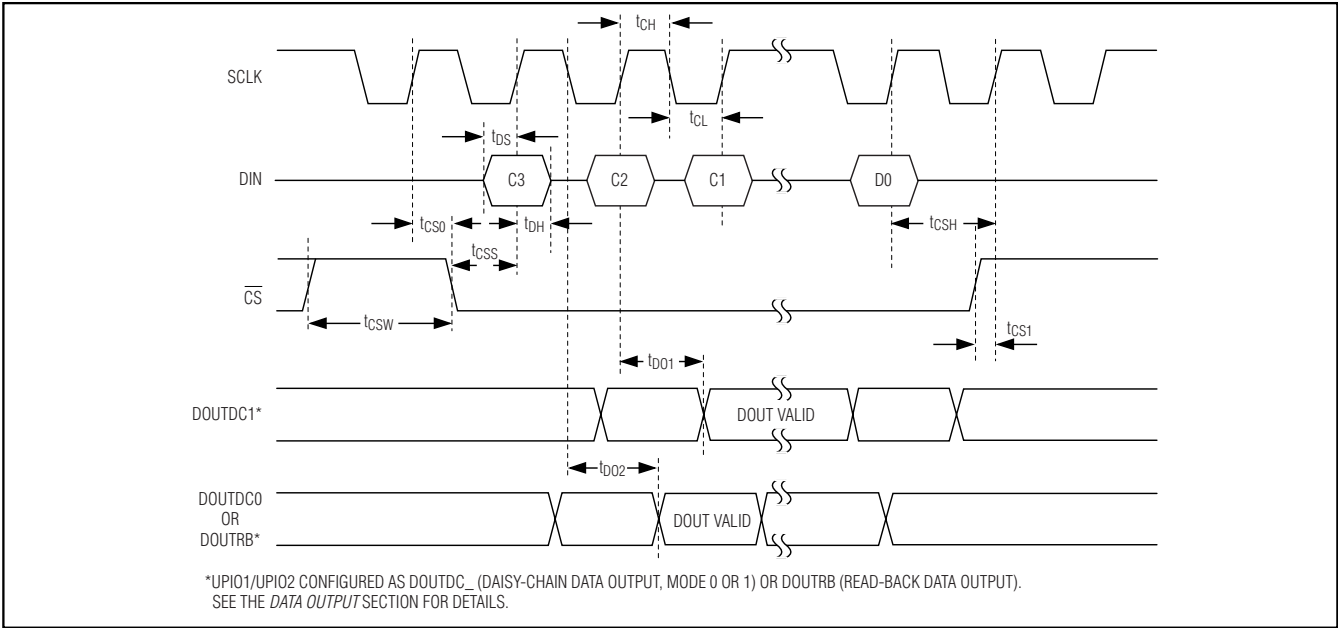


Figure 1. Serial-Interface Timing Diagram (DSP Mode Disabled)

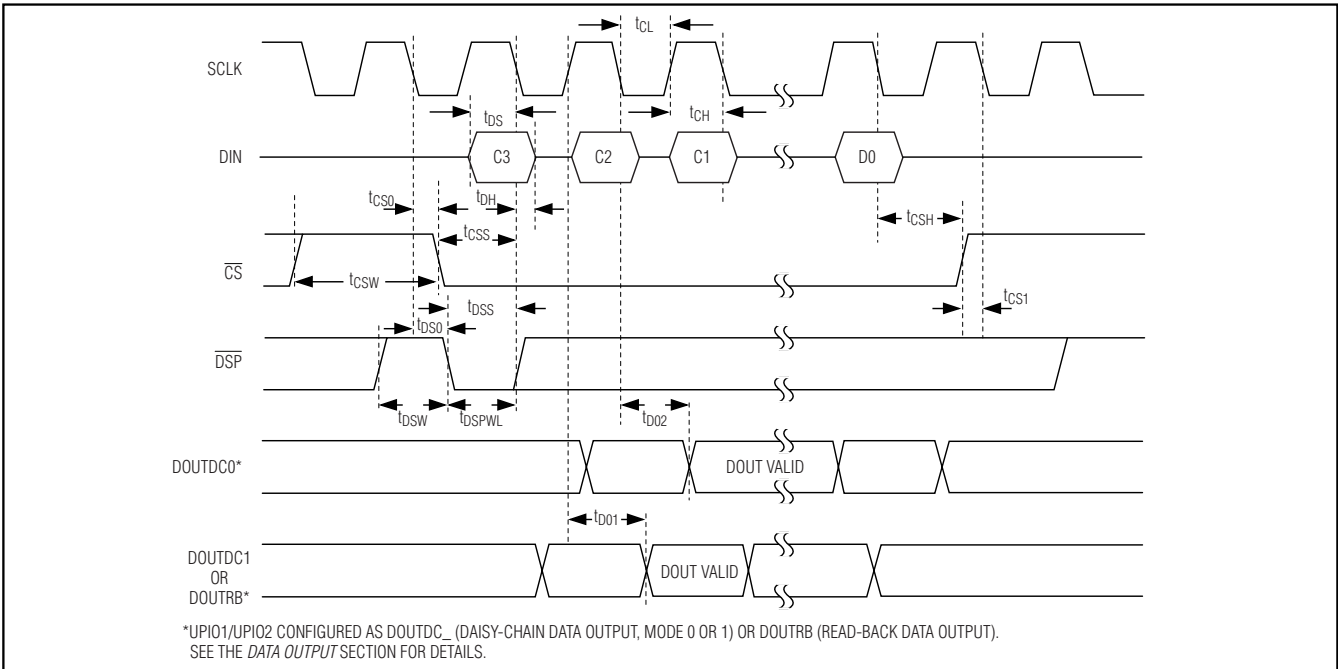


Figure 2. Serial-Interface Timing Diagram (DSP Mode Enabled)

# Buffered, Fast-Settling, Dual, 12-/10-/8-Bit, Voltage-Output DACs

MAX5290-MAX5295

## Serial-Interface Programming Commands

Tables 2a, 2b, and 2c provide all of the serial-interface programming commands for the MAX5290-MAX5295. Table 2a shows the basic DAC programming commands, Table 2b gives the advanced-feature programming commands, and Table 2c provides the 24-bit read commands. Figures 3 and 4 illustrate the serial-interface diagrams for read and write operations.

## Loading Input and DAC Registers

The MAX5290-MAX5295 contain a 16-bit shift register that is followed by a 12-bit input register and a 12-bit DAC register for each channel (see the *Functional Diagrams*). Tables 3, 4, and 5 highlight a few of the commands for the loading of the input and DAC registers. See Table 2a for all DAC programming commands.

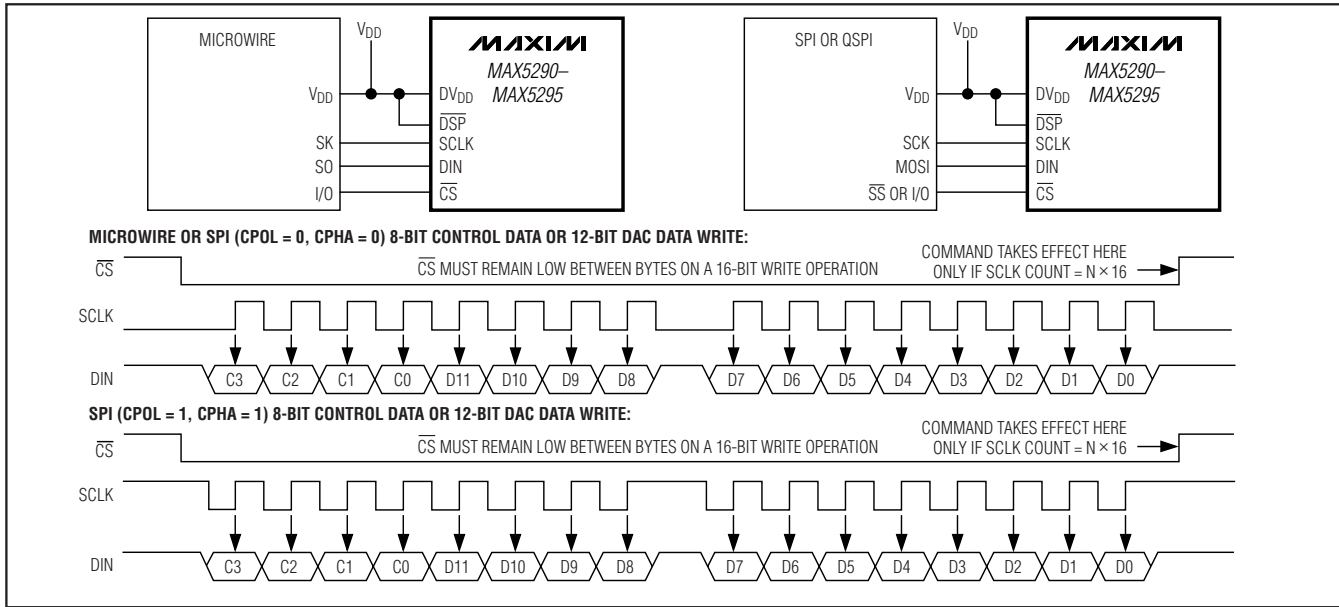


Figure 3. MICROWIRE and SPI (CPOL = 0, CPHA = 0 or CPOL = 1, CPHA = 1) DAC Writes

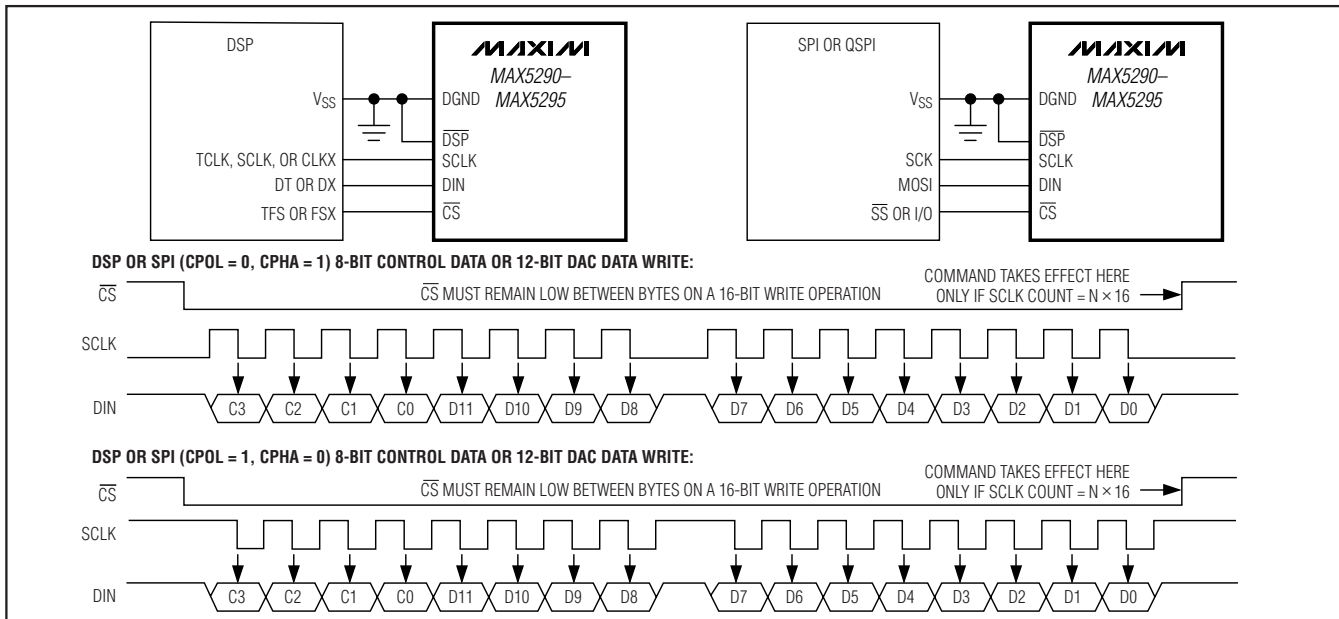


Figure 4. DSP and SPI (CPOL = 0, CPHA = 1 or CPOL = 1, CPHA = 0) DAC Writes

# Buffered, Fast-Settling, Dual, 12-/10-/8-Bit, Voltage-Output DACs

**Table 2a. DAC Programming Commands**

| DATA   | CONTROL BITS |    |    |    | DATA BITS |     |    |    |    |    |    |    |      |      |      |      | FUNCTION   |
|--|--------------|----|----|----|-----------|-----|----|----|----|----|----|----|------|------|------|------|--|
|  | C3           | C2 | C1 | C0 | D11       | D10 | D9 | D8 | D7 | D6 | D5 | D4 | D3   | D2   | D1   | D0   |  |
| <b>LOADING INPUT AND DAC REGISTERS A AND B</b> |              |    |    |    |           |     |    |    |    |    |    |    |      |      |      |      |  |
| DIN  | 0            | 0  | 0  | 0  | D11       | D10 | D9 | D8 | D7 | D6 | D5 | D4 | D3/0 | D2/0 | D1/0 | D0/0 | Load input register A from shift register; DAC registers are unchanged. DAC outputs are unchanged.*                |
| DIN  | 0            | 0  | 0  | 1  | D11       | D10 | D9 | D8 | D7 | D6 | D5 | D4 | D3/0 | D2/0 | D1/0 | D0/0 | Load DAC register A from shift register; input registers are unchanged. DAC outputs are updated.*                  |
| DIN  | 0            | 0  | 1  | 0  | D11       | D10 | D9 | D8 | D7 | D6 | D5 | D4 | D3/0 | D2/0 | D1/0 | D0/0 | Load input register A and DAC register A from shift register. DAC outputs are updated.*                            |
| DIN  | 0            | 0  | 1  | 1  | D11       | D10 | D9 | D8 | D7 | D6 | D5 | D4 | D3/0 | D2/0 | D1/0 | D0/0 | Load input register B; DAC registers are unchanged. DAC outputs are unchanged.*                                    |
| DIN  | 0            | 1  | 0  | 0  | D11       | D10 | D9 | D8 | D7 | D6 | D5 | D4 | D3/0 | D2/0 | D1/0 | D0/0 | Load DAC register B from shift register; input registers are unchanged. DAC outputs are updated.*                  |
| DIN  | 0            | 1  | 0  | 1  | D11       | D10 | D9 | D8 | D7 | D6 | D5 | D4 | D3/0 | D2/0 | D1/0 | D0/0 | Load input register B and DAC register B from shift register. DAC outputs are updated.*                            |
| DIN  | 0            | 1  | 1  | 0  | X         | X   | X  | X  | X  | X  | X  | X  | X    | X    | X    | X    | Command is ignored.  |
| DIN  | 0            | 1  | 1  | 1  | X         | X   | X  | X  | X  | X  | X  | X  | X    | X    | X    | X    | Command is ignored.  |
| DIN  | 1            | 0  | 0  | 0  | X         | X   | X  | X  | X  | X  | X  | X  | X    | X    | X    | X    | Command is ignored.  |
| DIN  | 1            | 0  | 0  | 1  | X         | X   | X  | X  | X  | X  | X  | X  | X    | X    | X    | X    | Command is ignored.  |
| DIN  | 1            | 0  | 1  | 0  | X         | X   | X  | X  | X  | X  | X  | X  | X    | X    | X    | X    | Command is ignored.  |
| DIN  | 1            | 0  | 1  | 1  | X         | X   | X  | X  | X  | X  | X  | X  | X    | X    | X    | X    | Command is ignored.  |
| DIN  | 1            | 1  | 0  | 0  | D11       | D10 | D9 | D8 | D7 | D6 | D5 | D4 | D3/0 | D2/0 | D1/0 | D0/0 | Load all input registers from the shift register; all DAC registers are unchanged. All DAC outputs are unchanged.* |
| DIN  | 1            | 1  | 0  | 1  | D11       | D10 | D9 | D8 | D7 | D6 | D5 | D4 | D3/0 | D2/0 | D1/0 | D0/0 | Load all input and DAC registers from shift register. DAC outputs are updated.*                                    |

X = Don't care.

\*For the MAX5292/MAX5293 (10-bit version), D11-D2 are the significant bits and D1 and D0 are sub-bits. For the MAX5294/MAX5295 (8-bit version), D11-D4 are the significant bits and D3-D0 are sub-bits. Set all sub-bits to zero during the write commands.

# Buffered, Fast-Settling, Dual, 12-/10-/8-Bit, Voltage-Output DACs

Table 2b. Advanced-Feature Programming Commands

| DATA                              | CONTROL BITS |    |    | DATA BITS |    |    |    |    |       |       |       |       |       |       |       |       |   |   |  | FUNCTION |
|-----------------------------------|--------------|----|----|-----------|----|----|----|----|-------|-------|-------|-------|-------|-------|-------|-------|---|---|--|----------|
|                                   | C3           | C2 | C1 | C0        | D1 | D0 | D9 | D8 | D7    | D6    | D5    | D4    | D3    | D2    | D1    | D0    |   |   |  |          |
| <b>SELECT BITS</b>                |              |    |    |           |    |    |    |    |       |       |       |       |       |       |       |       |   |   |  |          |
| DIN                               | 1            | 1  | 1  | 0         | 0  | 0  | X  | X  | X     | X     | X     | X     | X     | X     | X     | X     | MA  | Load DAC register A from input register A when MA is 1. DAC register A is unchanged if MA is 0. Load DAC register B from input register B when MB is 1. DAC register B is unchanged if MB is 0. |  |          |
| <b>SHUTDOWN-MODE BITS</b>         |              |    |    |           |    |    |    |    |       |       |       |       |       |       |       |       |   |   |  |          |
| DIN                               | 1            | 1  | 1  | 0         | 0  | 1  | 0  | X  | X     | X     | X     | X     | PDB1  | PDB0  | PDA1  | PDA0  | Write DACA and DACB shutdown mode bits. See Table 8.  |   |  |          |
| DIN                               | 1            | 1  | 1  | 0         | 0  | 1  | 1  | X  | X     | X     | X     | X     | X     | X     | X     | X     | Read DACA and DACB shutdown mode bits.                |   |  |          |
| DOUTRB                            | X            | X  | X  | X         | X  | X  | X  | X  | X     | X     | X     | X     | PDB1  | PDB0  | PDA1  | PDA0  | Read DACA and DACB shutdown mode bits.                |   |  |          |
| <b>UIPIO CONFIGURATION BITS</b>   |              |    |    |           |    |    |    |    |       |       |       |       |       |       |       |       |   |   |  |          |
| DIN                               | 1            | 1  | 1  | 0         | 1  | 0  | 0  | X  | UPSL2 | UPSL1 | UP3   | UP2   | UP1   | UP0   | X     | X     | Write UIPIO configuration bits. See Tables 19 and 22. |   |  |          |
| DIN                               | 1            | 1  | 1  | 0         | 1  | 0  | 1  | X  | X     | X     | X     | X     | X     | X     | X     | X     | Read UIPIO configuration bits.                        |   |  |          |
| DOUTRB                            | X            | X  | X  | X         | X  | X  | X  | X  | UP3-2 | UP2-2 | UP1-2 | UP0-2 | UP3-1 | UP2-1 | UP1-1 | UP0-1 | Read UIPIO configuration bits.                        |   |  |          |
| <b>SETTLING-TIME-MODE BITS</b>    |              |    |    |           |    |    |    |    |       |       |       |       |       |       |       |       |   |   |  |          |
| DIN                               | 1            | 1  | 1  | 0         | 1  | 1  | 0  | X  | X     | X     | X     | X     | X     | X     | X     | X     | SPDA  | Write DACA and DACB settling-time mode bits.  |  |          |
| DIN                               | 1            | 1  | 1  | 0         | 1  | 1  | 1  | X  | X     | X     | X     | X     | X     | X     | X     | X     | X   | Read DACA and DACB settling-time mode bits.   |  |          |
| DOUTRB                            | X            | X  | X  | X         | X  | X  | X  | X  | X     | X     | X     | X     | X     | X     | X     | X     | SPDA  | Read DACA and DACB settling-time mode bits.   |  |          |
| <b>CPOL AND CPHA CONTROL BITS</b> |              |    |    |           |    |    |    |    |       |       |       |       |       |       |       |       |   |   |  |          |
| DIN                               | 1            | 1  | 1  | 1         | 0  | 0  | 0  | 0  | X     | X     | X     | X     | X     | X     | X     | X     | CPHA  | Write CPOL, CPHA control bits. See Table 15.  |  |          |
| DIN                               | 1            | 1  | 1  | 1         | 0  | 0  | 0  | 1  | X     | X     | X     | X     | X     | X     | X     | X     | X   | Read CPOL, CPHA control bits.   |  |          |
| DOUTRB                            | X            | X  | X  | X         | X  | X  | X  | X  | X     | X     | X     | X     | X     | X     | X     | X     | CPHA  | Read CPOL, CPHA control bits.   |  |          |

X = Don't care.



# Buffered, Fast-Settling, Dual, 12-/10-/8-Bit, Voltage-Output DACs

Default register values at power-up correspond to the state of PU, e.g. input and DAC registers are set to 800hex if PU is floating, FFFhex if PU = DVDD, and 000hex if PU= DGND.

## DAC Programming Examples:

To load input register A from the shift register, leaving DAC register A unchanged (DAC output unchanged), use the command in Table 3.

The MAX5290-MAX5295 can load DAC register A from the shift register, leaving input register A unchanged, by using the command in Table 4.

To load input register A and DAC register A simultaneously from the shift register, use the command in Table 5.

For the 10-bit and 8-bit versions, set sub-bits = 0 for best performance.

## Advanced Feature Programming Commands

Refer to the *Programmer's Handbook* for details.

### Select Bits (MA, MB)

The select bits allow synchronous updating of any combination of channels. The select bits command the loading of the DAC register from the input register of each channel. Set the select bit M<sub>1</sub> = 1 to load the DAC register “\_” with data from the input register “\_”, where “\_” is replaced with A or B depending on the selected channel. Setting the select bit to M<sub>1</sub> = 0 results in no action for that channel (Table 6).

**Table 3. Load Input Register A from Shift Register**

| DATA | CONTROL BITS |   |   |   | DATA BITS |     |    |    |    |    |    |    |      |      |      |      |
|------|--------------|---|---|---|-----------|-----|----|----|----|----|----|----|------|------|------|------|
| DIN  | 0            | 0 | 0 | 0 | D11       | D10 | D9 | D8 | D7 | D6 | D5 | D4 | D3/0 | D2/0 | D1/0 | D0/0 |

**Table 4. Load DAC Register A from Shift Register**

| DATA | CONTROL BITS |   |   |   | DATA BITS |     |    |    |    |    |    |    |      |      |      |      |
|------|--------------|---|---|---|-----------|-----|----|----|----|----|----|----|------|------|------|------|
| DIN  | 0            | 0 | 0 | 1 | D11       | D10 | D9 | D8 | D7 | D6 | D5 | D4 | D3/0 | D2/0 | D1/0 | D0/0 |

**Table 5. Load Input Register A and DAC Register A from Shift Register**

| DATA | CONTROL BITS |   |   |   | DATA BITS |     |    |    |    |    |    |    |      |      |      |      |
|------|--------------|---|---|---|-----------|-----|----|----|----|----|----|----|------|------|------|------|
| DIN  | 0            | 0 | 1 | 0 | D11       | D10 | D9 | D8 | D7 | D6 | D5 | D4 | D3/0 | D2/0 | D1/0 | D0/0 |

**Table 6. Select Command**

| DATA | CONTROL BITS |   |   |   | DATA BITS |   |   |   |   |   |   |   |   |   |   |    |    |
|------|--------------|---|---|---|-----------|---|---|---|---|---|---|---|---|---|---|----|----|
| DIN  | 1            | 1 | 1 | 0 | 0         | 0 | X | X | X | X | X | X | X | X | X | MB | MA |

X = Don't care.

**Table 7. Select Bits Programming Example**

| DATA | CONTROL BITS |   |   |   | DATA BITS |   |   |   |   |   |   |   |   |   |   |   |   |
|------|--------------|---|---|---|-----------|---|---|---|---|---|---|---|---|---|---|---|---|
| DIN  | 1            | 1 | 1 | 0 | 0         | 0 | X | X | X | X | X | X | X | X | X | 1 | 0 |

X = Don't care.

# Buffered, Fast-Settling, Dual, 12-/10-/8-Bit, Voltage-Output DACs

## Select Bits Programming Example:

To load DAC register B from input register B while keeping channel A unchanged, set MB = 1 and MA = 0, as in the command in Table 7.

**Table 8. Shutdown-Mode Bits**

| PD_1 | PD_0 | DESCRIPTIONS  |
|------|------|---|
| 0    | 0    | Shutdown with 1k $\Omega$ termination to ground on DAC_ output.   |
| 0    | 1    | Shutdown with 100k $\Omega$ termination to ground on DAC_ output for unity-gain versions. Shutdown with high-impedance output for force-sense versions. |
| 1    | 0    | Ignored.  |
| 1    | 1    | DAC_ is powered up in its normal operating mode.  |

## Shutdown-Mode Bits (PDA0, PDA1, PDB0, PDB1)

Use the shutdown-mode bits to shut down each DAC independently. Set PD\_0 and PD\_1 according to Table 8 to select the shutdown mode for DAC\_, where “\_” is replaced with A or B depending on the selected channel. The three possible states for unity-gain versions are 1) normal operation, 2) shutdown with 1k $\Omega$  output impedance, and 3) shutdown with 100k $\Omega$  output impedance. The three possible states for force-sense versions are 1) normal operation, 2) shutdown with 1k $\Omega$  output impedance, and 3) shutdown with high-impedance output. Table 9 shows the command for writing to the shutdown mode bits.

## Shutdown-Mode Bits Write Example:

To put a unity-gain version's DACA into shutdown mode with internal 1k $\Omega$  termination to ground and DACB into the shutdown mode with the internal 100k $\Omega$  termination to ground, use the command in Table 10 (applicable to unity-gain output only).

To read back the shutdown-mode bits, use the command in Table 11.

**Table 9. Shutdown-Mode Write Command**

| DATA | CONTROL BITS |   |   |   | DATA BITS |   |   |   |   |   |   |   |   |      |      |      |      |
|------|--------------|---|---|---|-----------|---|---|---|---|---|---|---|---|------|------|------|------|
| DIN  | 1            | 1 | 1 | 0 | 0         | 1 | 0 | X | X | X | X | X | X | PDB1 | PDB0 | PDA1 | PDA0 |

X = Don't care.

**Table 10. Shutdown-Mode Bits Write Example**

| DATA | CONTROL BITS |   |   |   | DATA BITS |   |   |   |   |   |   |   |   |   |   |   |
|------|--------------|---|---|---|-----------|---|---|---|---|---|---|---|---|---|---|---|
| DIN  | 1            | 1 | 1 | 0 | 0         | 1 | 0 | X | X | X | X | X | 0 | 1 | 0 | 0 |

X = Don't care.

**Table 11. Shutdown-Mode Read Command**

| DATA   | CONTROL BITS |   |   |   | DATA BITS |   |   |   |   |   |   |   |   |      |      |      |      |
|--------|--------------|---|---|---|-----------|---|---|---|---|---|---|---|---|------|------|------|------|
| DIN    | 1            | 1 | 1 | 0 | 0         | 1 | 1 | X | X | X | X | X | X | X    | X    | X    | X    |
| DOUTRB | X            | X | X | X | X         | X | X | X | X | X | X | X | X | PDB1 | PDB0 | PDA1 | PDA0 |

X = Don't care.

**Table 12. Settling-Time-Mode Write Command**

| DATA | CONTROL BITS |   |   |   | DATA BITS |   |   |   |   |   |   |   |   |   |   |      |      |
|------|--------------|---|---|---|-----------|---|---|---|---|---|---|---|---|---|---|------|------|
| DIN  | 1            | 1 | 1 | 0 | 1         | 1 | 0 | X | X | X | X | X | X | X | X | SPDB | SPDA |

X = Don't care.



# Buffered, Fast-Settling, Dual, 12-/10-/8-Bit, Voltage-Output DACs

## Settling-Time-Mode Bits (SPDA, SPDB)

The settling-time-mode bits select the settling time (FAST mode or SLOW mode) of the MAX5290-MAX5295. Set SPD<sub>\_</sub> = 1 to select FAST mode or set SPD<sub>\_</sub> = 0 to select SLOW mode, where “\_” is replaced by A or B, depending on the selected channel (see Table 12). FAST mode provides a 3μs maximum settling time and SLOW mode provides a 10μs maximum settling time. Default settling-time mode bits are [0, 0] (SLOW mode for both DACs).

## Settling-Time-Mode Write Example:

To configure DACA into FAST mode and DACB into SLOW mode, use the command in Table 13.

To read back the settling-time-mode bits, use the command in Table 14.

## CPOL and CPHA Control Bits

The CPOL and CPHA control bits of the MAX5290-MAX5295 are defined the same as the CPOL and CPHA bits in the SPI standard. Set the CPOL = 0 and CPHA = 0 or set CPOL = 1 and CPHA = 1 for MICROWIRE and SPI applications requiring the clocking of data in on the rising edge of SCLK. Set the CPOL = 0

**Table 13. Settling-Time-Mode Write Example**

| DATA | CONTROL BITS |   |   |   | DATA BITS |   |   |   |   |   |   |   |   |   |   |   |   |
|------|--------------|---|---|---|-----------|---|---|---|---|---|---|---|---|---|---|---|---|
| DIN  | 1            | 1 | 1 | 0 | 1         | 1 | 0 | X | X | X | X | X | X | X | X | 0 | 1 |

X = Don't care.

**Table 14. Settling-Time-Mode Read Command**

| DATA               | CONTROL BITS |   |   |   | DATA BITS |   |   |   |   |   |   |   |   |   |   |      |      |
|--------------------|--------------|---|---|---|-----------|---|---|---|---|---|---|---|---|---|---|------|------|
| DIN                | 1            | 1 | 1 | 0 | 1         | 1 | 1 | X | X | X | X | X | X | X | X | X    | X    |
| DOU <sub>TRB</sub> | X            | X | X | X | X         | X | X | X | X | X | X | X | X | X | X | SPDB | SPDA |

X = Don't care.

**Table 15. CPOL and CPHA Bits**

| CPOL | CPHA | DESCRIPTION  |
|------|------|--|
| 0    | 0    | Default values at power-up when $\overline{DSP}$ is connected to DV <sub>DD</sub> . Data is clocked in on the rising edge of SCLK. |
| 0    | 1    | Default values at power-up when $\overline{DSP}$ is connected to DGND. Data is clocked in on the falling edge of SCLK.             |
| 1    | 0    | Data is clocked in on the falling edge of SCLK.  |
| 1    | 1    | Data is clocked in on the rising edge of SCLK.   |

**Table 16. CPOL and CPHA Write Command**

| DATA | CONTROL BITS |   |   |   | DATA BITS |   |   |   |   |   |   |   |   |   |   |      |      |
|------|--------------|---|---|---|-----------|---|---|---|---|---|---|---|---|---|---|------|------|
| DIN  | 1            | 1 | 1 | 1 | 0         | 0 | 0 | 0 | X | X | X | X | X | X | X | CPOL | CPHA |

X = Don't care.

**Table 17. CPOL and CPHA Read Command**

| DATA               | CONTROL BITS |   |   |   | DATA BITS |   |   |   |   |   |   |   |   |   |   |      |      |
|--------------------|--------------|---|---|---|-----------|---|---|---|---|---|---|---|---|---|---|------|------|
| DIN                | 1            | 1 | 1 | 1 | 0         | 0 | 0 | 1 | X | X | X | X | X | X | X | X    | X    |
| DOU <sub>TRB</sub> | X            | X | X | X | X         | X | X | X | X | X | X | X | X | X | X | CPOL | CPHA |

X = Don't care.

# Buffered, Fast-Settling, Dual, 12-/10-/8-Bit, Voltage-Output DACs

and CPHA = 1 or set CPOL = 1 and CPHA = 0 for DSP and SPI applications requiring the clocking of data in on the falling edge of SCLK (refer to the *Programmer's Handbook* and see Table 15 for details). At power-up, if  $\overline{DSP} = DV_{DD}$ , the default value of CPHA is zero and if  $\overline{DSP} = DGND$ , the default value of CPHA is one. The default value of CPOL is zero at power-up.

To write to the CPOL and CPHA bits, use the command in Table 16.

To read back the device's CPOL and CPHA bits, use the command in Table 17.

### UPIO Bits (UPSL1, UPSL2, UP0–UP3)

The MAX5290–MAX5295 provide two user-programmable input/output (UPIO) ports: UPIO1 and UPIO2. These ports have 15 possible configurations, as shown in Table 22. UPIO1 and UPIO2 can be programmed independently or simultaneously by writing to the UPSL1, UPSL2, and UP0–UP3 bits (see Table 18).

Table 19 shows how UPIO1 and UPIO2 are selected for configuration. The UP0–UP3 bits select the desired functions for UPIO1 and/or UPIO2 (see Table 22).

Default states of UP10\_ are high impedance. If using UP10\_, connect 10kΩ pullup resistors from each UPIO pin to DVDD.

### UPIO Programming Example:

To set only UPIO1 as LDAC and leave UPIO2 unchanged, write the command in Table 20.

The UPIO selection and configuration bits can be read back from the MAX5290–MAX5295 when UPIO1 or UPIO2 is configured as a DOUTRB output. Table 21 shows the read-back data format for the UPIO bits. Writing a 1110 101X XXXX XXXX initiates a read operation of the UPIO bits. The data is clocked out starting on the 9th clock cycle of the sequence. UP3-2 through UP0-2 provide the UP3–UP0 configuration bits for UPIO2 (see Table 22), and UP3-1 through UP0-1 provide the UP3–UP0 configuration bits for UPIO1.

**Table 18. UPIO Write Command**

| DATA | CONTROL BITS |   |   |   | DATA BITS |   |   |   |       |       |     |     |     |     |   |   |
|------|--------------|---|---|---|-----------|---|---|---|-------|-------|-----|-----|-----|-----|---|---|
| DIN  | 1            | 1 | 1 | 0 | 1         | 0 | 0 | X | UPSL2 | UPSL1 | UP3 | UP2 | UP1 | UP0 | X | X |

X = Don't care.

**Table 19. UPIO Selection Bits (UPSL1 and UPSL2)**

| UPSL2 | UPSL1 | UPIO PORT SELECTED            |
|-------|-------|-------------------------------|
| 0     | 0     | None selected                 |
| 0     | 1     | UPIO1 selected                |
| 1     | 0     | UPIO2 selected                |
| 1     | 1     | Both UPIO1 and UPIO2 selected |

**Table 20. UPIO Programming Example**

| DATA | CONTROL BITS |   |   |   | DATA BITS |   |   |   |   |   |   |   |   |   |   |   |   |
|------|--------------|---|---|---|-----------|---|---|---|---|---|---|---|---|---|---|---|---|
| DIN  | 1            | 1 | 1 | 0 | 1         | 0 | 0 | X | 0 | 1 | 0 | 0 | 0 | 0 | 0 | X | X |

X = Don't care.

**Table 21. UPIO Read Command**

| DATA   | CONTROL BITS |   |   |   | DATA BITS |   |   |   |       |       |       |       |       |       |       |       |   |
|--------|--------------|---|---|---|-----------|---|---|---|-------|-------|-------|-------|-------|-------|-------|-------|---|
| DIN    | 1            | 1 | 1 | 0 | 1         | 0 | 1 | X | X     | X     | X     | X     | X     | X     | X     | X     | X |
| DOUTRB | X            | X | X | X | X         | X | X | X | UP3-2 | UP2-2 | UP1-2 | UP0-2 | UP3-1 | UP2-1 | UP1-1 | UP0-1 |   |

X = Don't care.

# Buffered, Fast-Settling, Dual, 12-/10-/8-Bit, Voltage-Output DACs

## User-Programmable Input/Output (UPIO) Configuration

Table 22 lists the possible configurations for UPIO1 and UPIO2. UPIO1 and UPIO2 use the selected function when configured by the UP3–UP0 configuration bits.

### $\overline{\text{LDAC}}$

$\overline{\text{LDAC}}$  controls loading of the DAC registers. When  $\overline{\text{LDAC}}$  is high, the DAC registers are latched, and any change in the input registers does not affect the contents of the DAC registers or the DAC outputs. When  $\overline{\text{LDAC}}$  is low, the DAC registers are transparent, and the values stored in the input registers are fed directly to the DAC registers, and the DAC outputs are updated.

Drive  $\overline{\text{LDAC}}$  low to asynchronously load the DAC registers from their corresponding input registers (DACs that are in shutdown remain shut down). The  $\overline{\text{LDAC}}$  function does not require any activity on  $\overline{\text{CS}}$ , SCLK, or DIN. If  $\overline{\text{LDAC}}$  is brought low coincident with a rising edge of  $\overline{\text{CS}}$ , (which executes a serial command modifying the value of either DAC input register), then  $\overline{\text{LDAC}}$  must remain asserted for at least 120ns following the  $\overline{\text{CS}}$  rising edge. This requirement applies only to serial commands that modify the value of the DAC input registers. See Figures 5 and 6 for timing details.

**Table 22. UPIO Configuration Register Bits (UP3–UP0)**

| UPIO CONFIGURATION BITS |     |     |     | FUNCTION                     | DESCRIPTION  |
|-------------------------|-----|-----|-----|------------------------------|--|
| UP3                     | UP2 | UP1 | UP0 |                              |  |
| 0                       | 0   | 0   | 0   | $\overline{\text{LDAC}}$     | Active-Low Load DAC Input. Drive low to asynchronously load all DAC registers with data from input registers.  |
| 0                       | 0   | 0   | 1   | $\overline{\text{SET}}$      | Active-Low Input. Drive low to set all input and DAC registers to full scale.  |
| 0                       | 0   | 1   | 0   | $\overline{\text{MID}}$      | Active-Low Input. Drive low to set all input and DAC registers to midscale.  |
| 0                       | 0   | 1   | 1   | $\overline{\text{CLR}}$      | Active-Low Input. Drive low to set all input and DAC registers to zero scale.  |
| 0                       | 1   | 0   | 0   | $\overline{\text{PDL}}$      | Active-Low Power-Down Lockout Input. Drive low to disable software shutdown.   |
| 0                       | 1   | 0   | 1   | Reserved                     | This mode is reserved. Do not use.   |
| 0                       | 1   | 1   | 0   | $\overline{\text{SHDN1K}}$   | Active-Low 1k $\Omega$ Shutdown Input. Overrides PD_1 and PD_0 settings. Drive $\overline{\text{SHDN1K}}$ low to pull OUTA and OUTB to AGND with 1k $\Omega$ .   |
| 0                       | 1   | 1   | 1   | $\overline{\text{SHDN100K}}$ | Active-Low 100k $\Omega$ Shutdown Input. Overrides PD_1 and PD_0 settings. For the MAX5290/MAX5292/MAX5294, drive $\overline{\text{SHDN100K}}$ low to pull OUTA and OUTB to AGND with 100k $\Omega$ . For the MAX5291/MAX5293/MAX5295, drive $\overline{\text{SHDN100K}}$ low to leave OUTA and OUTB high impedance. |
| 1                       | 0   | 0   | 0   | DOUTRB                       | Data Read-Back Output  |
| 1                       | 0   | 0   | 1   | DOUTDC0                      | Mode 0 Daisy-Chain Data Output. Data is clocked out on the falling edge of SCLK.   |
| 1                       | 0   | 1   | 0   | DOUTDC1                      | Mode 1 Daisy-Chain Data Output. Data is clocked out on the rising edge of SCLK.  |
| 1                       | 0   | 1   | 1   | GPI                          | General-Purpose Logic Input  |
| 1                       | 1   | 0   | 0   | GPOL                         | General-Purpose Logic-Low Output   |
| 1                       | 1   | 0   | 1   | GPOH                         | General-Purpose Logic-High Output  |
| 1                       | 1   | 1   | 0   | TOGG                         | Toggle Input. Toggles DAC outputs between data in input registers and data in DAC registers. Drive low to set all DAC outputs to values stored in input registers. Drive high to set all DAC outputs to values stored in DAC registers.  |
| 1                       | 1   | 1   | 1   | $\overline{\text{FAST}}$     | FAST/SLOW Settling-Time Mode Input. Drive low to select FAST mode (3 $\mu$ s) or drive high to select SLOW settling mode (10 $\mu$ s). Overrides the SPDA and SPDB settings.   |

# Buffered, Fast-Settling, Dual, 12-/10-/8-Bit, Voltage-Output DACs

## SET, MID, CLR

The  $\overline{\text{SET}}$ ,  $\overline{\text{MID}}$ , and  $\overline{\text{CLR}}$  signals force the DAC outputs to full scale, midscale, or zero scale (Figure 5). These signals cannot be active at the same time.

The active-low  $\overline{\text{SET}}$  input forces the DAC outputs to full scale when  $\overline{\text{SET}}$  is low. When  $\overline{\text{SET}}$  is high, the DAC outputs follow the data in the DAC registers.

The active-low  $\overline{\text{MID}}$  input forces the DAC outputs to mid-scale when  $\overline{\text{MID}}$  is low. When  $\overline{\text{MID}}$  is high, the DAC outputs follow the data in the DAC registers.

The active-low  $\overline{\text{CLR}}$  input forces the DAC outputs to zero scale when  $\overline{\text{CLR}}$  is low. When  $\overline{\text{CLR}}$  is high, the DAC outputs follow the data in the DAC registers.

If  $\overline{\text{CLR}}$ ,  $\overline{\text{MID}}$ , or  $\overline{\text{SET}}$  signals go low in the middle of a write command, reload the data to ensure accurate results.

## Power-Down Lockout (PDL)

The  $\overline{\text{PDL}}$  active-low software-shutdown lockout input overrides (not overwrites), the PD\_0 and PD\_1 shutdown mode bits.  $\overline{\text{PDL}}$  cannot be active at the same time as  $\overline{\text{SHDN1K}}$  or  $\overline{\text{SHDN100K}}$  (see the *Shutdown Mode (SHDN1K, SHDN100K)* section).

If the PD\_0 and PD\_1 bits command the DAC to shut down prior to  $\overline{\text{PDL}}$  going low, the DAC returns to shutdown mode immediately after  $\overline{\text{PDL}}$  goes high, unless the PD\_0 and PD\_1 bits are changed in the meantime.

## Shutdown Mode (SHDN1K, SHDN100K)

The  $\overline{\text{SHDN1K}}$  and  $\overline{\text{SHDN100K}}$  are active-low signals that override (not overwrite) the PD\_1 and PD\_0 bit settings. For the MAX5290/MAX5292/MAX5294, drive  $\overline{\text{SHDN1K}}$  low to select shutdown mode with OUTA and OUTB internally terminated with 1k $\Omega$  to ground, or drive  $\overline{\text{SHDN100K}}$  low to select shutdown with an internal 100k $\Omega$  termination. For the MAX5291/MAX5293/MAX5295, drive  $\overline{\text{SHDN1K}}$  low for shutdown with 1k $\Omega$  output termination, or drive  $\overline{\text{SHDN100K}}$  low for shutdown with high-impedance outputs.

## Data Output (DOUTRB, DOUTDC0, DOUTDC1)

UPIO1 and UPIO2 can be configured as serial data outputs, DOUTRB (data out for read back), DOUTDC0 (data out for daisy-chaining, mode 0), and DOUTDC1 (data out for daisy-chaining, mode 1). The differences between DOUTRB and DOUTDC0 (or DOUTDC1) are as follows:

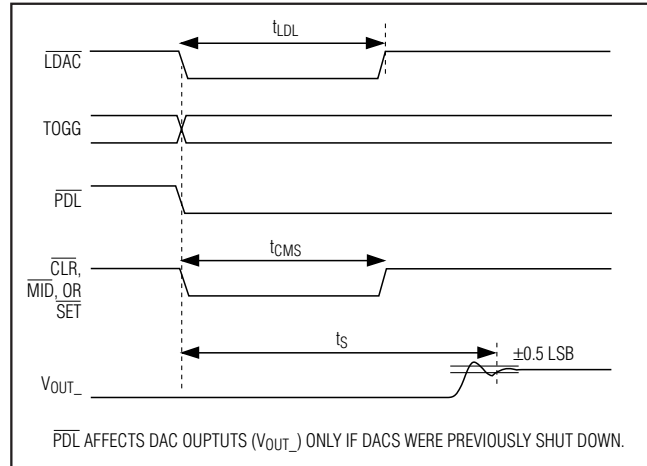


Figure 5. Asynchronous Signal Timing

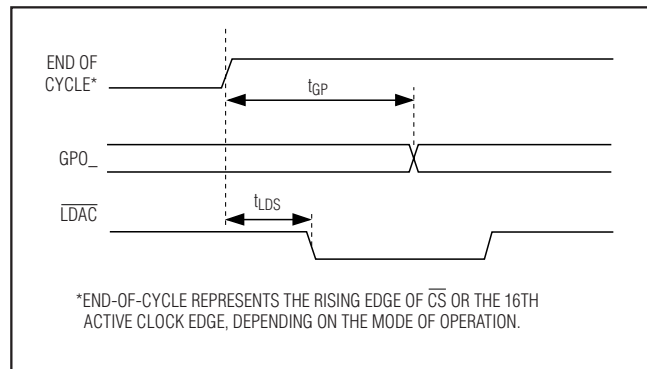


Figure 6. GPO\_ and  $\overline{\text{LDAC}}$  Signal Timing

- The source of read-back data on DOUTRB is the DOUT register. Daisy-chain DOUTDC\_ data comes directly from the shift register.
- Read-back data on DOUTRB is only present after a DAC read command. Daisy-chain data is present on DOUTDC\_ for any DAC write after the first 16 bits are written.
- The DOUTRB idle state ( $\overline{\text{CS}} = \text{high}$ ) for read back is high impedance. Daisy-chain DOUTDC\_ idles high when inactive to avoid floating the data input in the next device in the daisy-chain.

See Figures 1 and 2 for timing details.

# Buffered, Fast-Settling, Dual, 12-/10-/8-Bit, Voltage-Output DACs

### GPI, GPOL, GPOH

UPIO1 and UPIO2 can each be configured as a general-purpose logic input (GPI), a general-purpose logic-low output (GPOL), or general-purpose logic-high output (GPOH).

The GPI can detect interrupts from  $\mu$ Ps or microcontrollers. It provides three functions:

- 1) Sample the signal at GPI at the time of the read (RTP1 and RTP2).
- 2) Detect whether or not a falling edge has occurred since the last read or reset (LF1 and LF2).
- 3) Detect whether or not a rising edge has occurred since the last read or reset (LR1 and LR2).

RTP1, LF1, and LR1 represent the data read from UPIO1. RTP2, LF2, and LR2 represent the data read from UPIO2.

To issue a read command for the UPIO configured as GPI, use the command in Table 23.

Once the command is issued, RTP1 and RTP2 provide the real-time status (0 or 1) of the inputs at UPIO1 or UPIO2, respectively, at the time of the read. If LF2 or

LF1 is one, then a falling edge has occurred on the UPIO1 or UPIO2 input since the last read or reset. If LR2 or LR1 is one, then a rising edge has occurred since the last read or reset.

GPOL outputs a constant logic low, and GPOH outputs a constant logic high (see Figure 6).

### TOGG

Use the TOGG input to toggle a DAC output between the values in the input register and DAC register. A delay of greater than 100ns from the end of the previous write command is required before the TOGG signal can be correctly switched between the new value and the previously stored value. When TOGG = 0, the output follows the information in the input registers. When TOGG = 1, the output follows the information in the DAC register (Figure 5).

### FAST

The MAX5290-MAX5295 have two settling-time-mode options: FAST (3 $\mu$ s max at 12 bits) and SLOW (6 $\mu$ s max at 12 bits). To select the FAST mode, drive  $\overline{\text{FAST}}$  low, and to select SLOW mode, drive  $\overline{\text{FAST}}$  high. This overrides (not overwrites) the SPDA and SPDB bit settings.

**Table 23. GPI Read Command**

| DATA   | CONTROL BITS |   |   |   | DATA BITS |   |   |   |   |   |      |     |     |      |     |     |
|--------|--------------|---|---|---|-----------|---|---|---|---|---|------|-----|-----|------|-----|-----|
| DIN    | 1            | 1 | 1 | 1 | 0         | 0 | 1 | X | X | X | X    | X   | X   | X    | X   | X   |
| DOUTRB | X            | X | X | X | X         | X | X | X | X | X | RTP2 | LF2 | LR2 | RTP1 | LF1 | LR1 |

X = Don't care.

**Table 24. Unipolar Code Table (Gain = +1)**

| DAC CONTENTS |      |      | ANALOG OUTPUT                  |
|--------------|------|------|--------------------------------|
| MSB          | LSB  |      |                                |
| 1111         | 1111 | 1111 | +VREF (4095 / 4096)            |
| 1000         | 0000 | 0001 | +VREF (2049 / 4096)            |
| 1000         | 0000 | 0000 | +VREF (2048 / 4096) = VREF / 2 |
| 0111         | 1111 | 1111 | +VREF (2047 / 4096)            |
| 0000         | 0000 | 0001 | +VREF (1 / 4096)               |
| 0000         | 0000 | 0000 | 0                              |

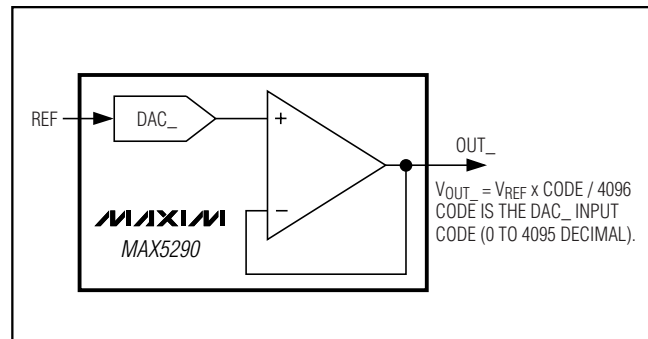


Figure 7. Unipolar Output Circuit

# Buffered, Fast-Settling, Dual, 12-/10-/8-Bit, Voltage-Output DACs

## Applications Information

### Unipolar Output

Figure 7 shows the unity gain of the MAX5290 in a unipolar output configuration. Table 24 lists the unipolar output codes.

### Bipolar Output

The MAX5290 outputs can be configured for bipolar operation, as shown in Figure 8. The output voltage is given by the following equation:

$$V_{OUT\_} = V_{REF} \times (\text{CODE} - 2048) / 2048$$

where CODE represents the numeric value of the DAC's binary input code (0 to 4095 decimal). Table 25 shows digital codes and the corresponding output voltage for the Figure 8 circuit.

**Table 25. Bipolar Code Table (Gain = +1)**

| DAC CONTENTS |      |      | ANALOG OUTPUT                                       |
|--------------|------|------|---|
| MSB          | LSB  |      |   |
| 1111         | 1111 | 1111 | +V <sub>REF</sub> (2047 / 2048)                     |
| 1000         | 0000 | 0001 | +V <sub>REF</sub> (1 / 2048)                        |
| 1000         | 0000 | 0000 | 0   |
| 0111         | 1111 | 1111 | +V <sub>REF</sub> (1 / 2048)                        |
| 0000         | 0000 | 0001 | -V <sub>REF</sub> (2047 / 2048)                     |
| 0000         | 0000 | 0000 | -V <sub>REF</sub> (2048 / 2048) = -V <sub>REF</sub> |

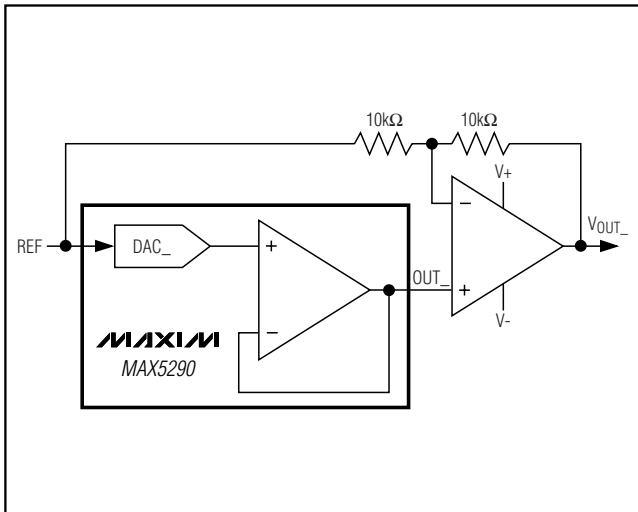


Figure 8. Bipolar Output Circuit

### Configurable Output Gain

The MAX5291/MAX5293/MAX5295 have force-sense outputs, which provide a connection directly to the inverting terminal of the output op amp, yielding the most flexibility. The advantage of the force-sense output is that specific gains can be set externally for a given application. The gain error for the MAX5291/MAX5293/MAX5295 is specified in a unity-gain configuration (op-amp output and inverting terminals connected) and additional gain error results from external resistor tolerances. The force-sense DACs allow many useful circuits to be created with only a few simple external components.

An example of a custom, fixed gain using the MAX5291's force-sense output is shown in Figure 9. In this example, the external reference is set to 1.25V, and the gain is set to +1.1V/V with external discrete resistors to provide an approximate 0 to 1.375V DAC output voltage range.

$V_{OUT\_} = [(0.5 \times V_{REF} \times \text{CODE}) / 4096] \times [1 + (R2 / R1)]$   
 where CODE represents the numeric value of the DAC's binary input code (0 to 4095 decimal).

In this example, if R2 = 12kΩ and R1 = 10kΩ, set the gain = 1.1V/V:

$$V_{OUT\_} = [(0.5 \times 1.25V \times \text{CODE}) / 4096] \times 2.2$$

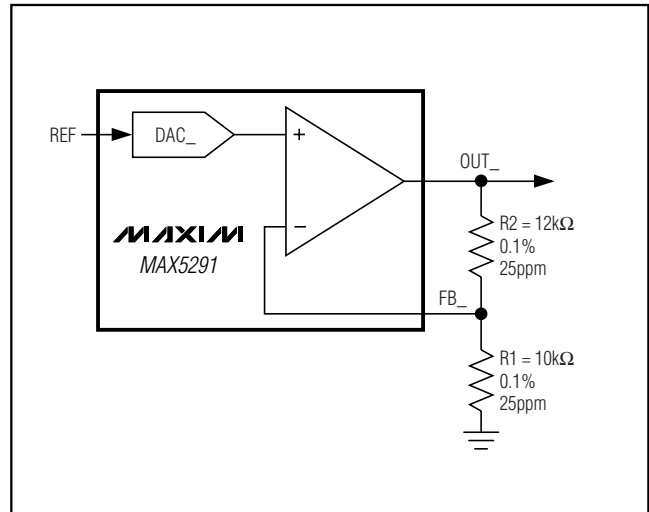


Figure 9. Configurable Output Gain

# Buffered, Fast-Settling, Dual, 12-/10-/8-Bit, Voltage-Output DACs

## Power-Supply and Layout Considerations

Bypass the analog and digital power supplies with a 10 $\mu$ F capacitor in parallel with a 0.1 $\mu$ F capacitor to analog ground (AGND) and digital ground (DGND) (see Figure 10). Minimize lead lengths to reduce lead inductance. If noise is an issue, use shielding and/or ferrite beads to increase isolation.

Digital and AC transient signals coupling to AGND create noise at the output. Connect AGND to the highest quality ground available. Use proper grounding tech-

niques, such as a multilayer board with a low-inductance ground plane. Wire-wrapped boards and sockets are not recommended. For optimum system performance, use printed circuit (PC) boards with separate analog and digital ground planes. Connect the two ground planes together at the low-impedance power-supply source.

Using separate power supplies for AV<sub>DD</sub> and DV<sub>DD</sub> improves noise immunity. Connect AGND and DGND at the low-impedance power-supply source (see Figure 11).

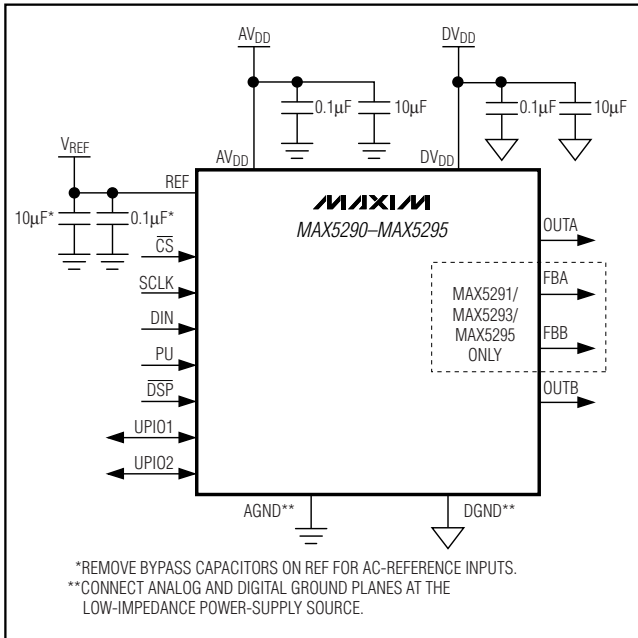


Figure 10. Bypassing Power Supplies and Reference

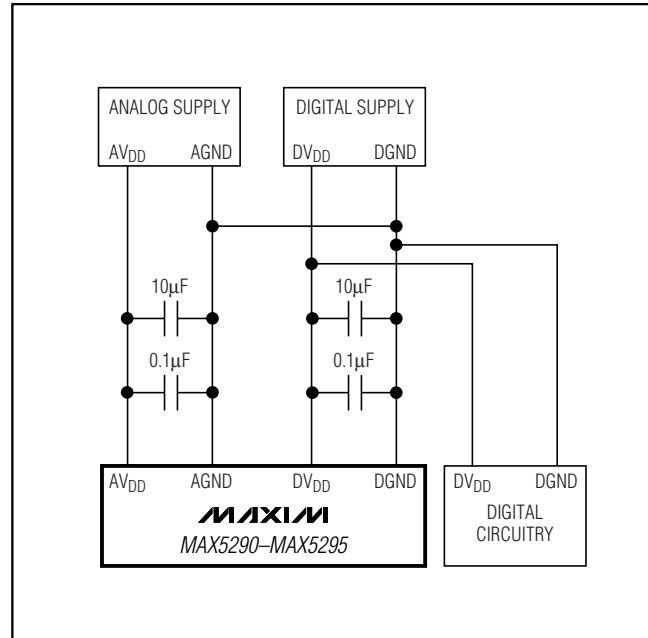
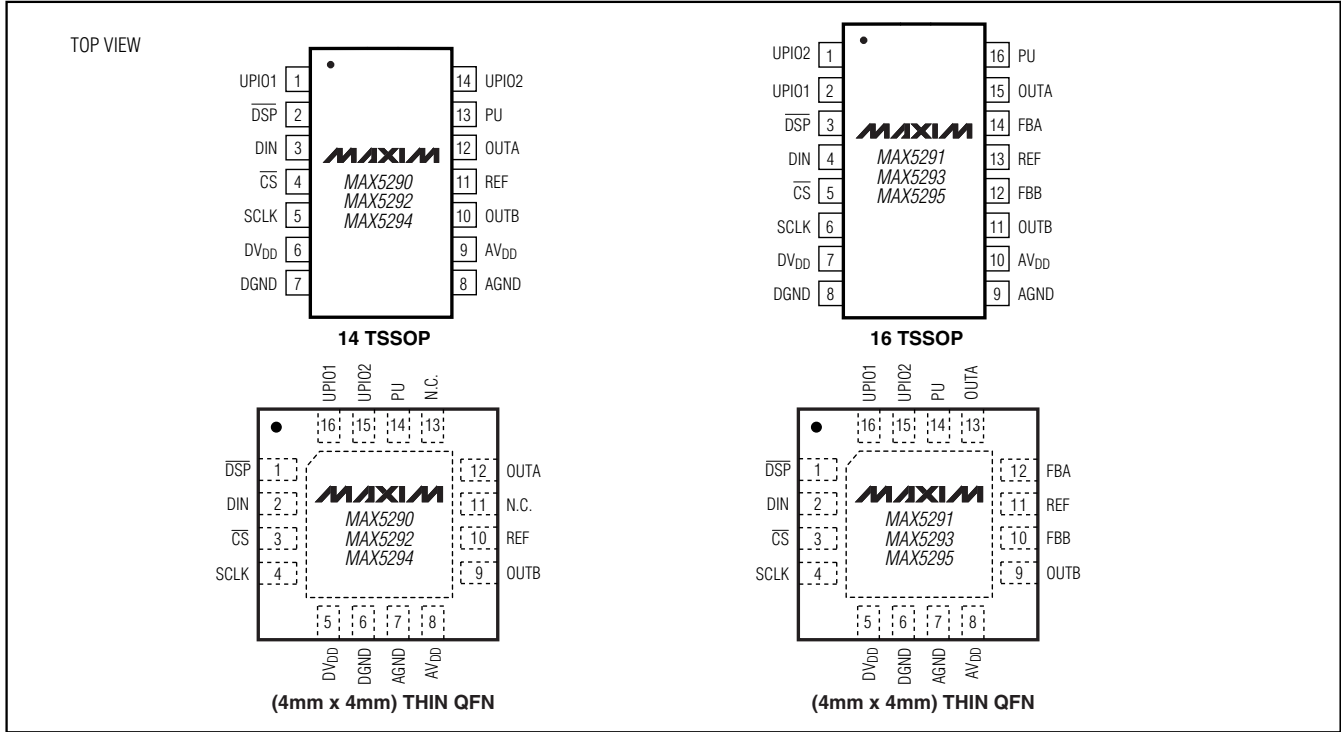


Figure 11. Separate Analog and Digital Power Supplies

# Buffered, Fast-Settling, Dual, 12-/10-/8-Bit, Voltage-Output DACs

## Pin Configurations



### Selector Guide

| PART                | OUTPUT BUFFER CONFIGURATION | RESOLUTION (BITS) | INL (LSBs MAX) |
|---------------------|-----------------------------|-------------------|----------------|
| <b>MAX5290</b> AEUD | Unity Gain                  | 12                | ±1             |
| MAX5290BEUD         | Unity Gain                  | 12                | ±4             |
| MAX5290AETE*        | Unity Gain                  | 12                | ±1             |
| MAX5290BETE         | Unity Gain                  | 12                | ±4             |
| <b>MAX5291</b> AEUE | Force Sense                 | 12                | ±1             |
| MAX5291BEUE         | Force Sense                 | 12                | ±4             |
| MAX5291AETE*        | Force Sense                 | 12                | ±1             |
| MAX5291BETE         | Force Sense                 | 12                | ±4             |
| <b>MAX5292</b> EUUD | Unity Gain                  | 10                | ±1             |
| MAX5292EUE          | Unity Gain                  | 10                | ±1             |
| <b>MAX5293</b> EUUE | Force Sense                 | 10                | ±1             |
| MAX5293EUE          | Force Sense                 | 10                | ±1             |
| <b>MAX5294</b> EUUD | Unity Gain                  | 8                 | ±0.5           |
| MAX5294EUE          | Unity Gain                  | 8                 | ±0.5           |
| <b>MAX5295</b> EUUE | Force Sense                 | 8                 | ±0.5           |
| MAX5295EUE          | Force Sense                 | 8                 | ±0.5           |

\*Future product—contact factory for availability. Specifications are preliminary.

### Chip Information

TRANSISTOR COUNT: 16,758  
 PROCESS: BiCMOS



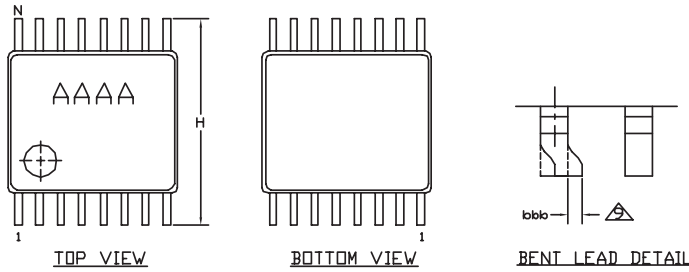
# Buffered, Fast-Settling, Dual, 12-/10-/8-Bit, Voltage-Output DACs

## Package Information

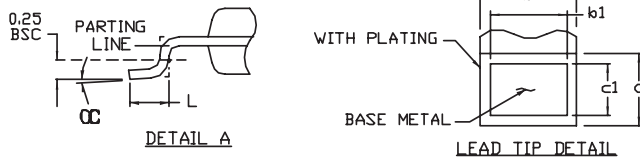
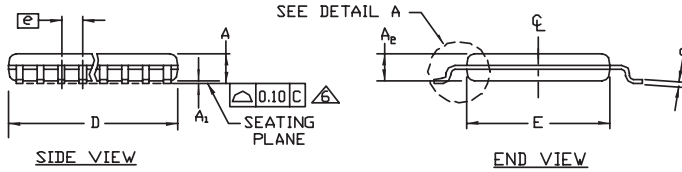
(The package drawing(s) in this data sheet may not reflect the most current specifications. For the latest package outline information go to [www.maxim-ic.com/packages](http://www.maxim-ic.com/packages).)

MAX5290-MAX5295

TSSOP4.40mm.EPS



|                | COMMON DIMENSIONS |      |                |      |
|----------------|-------------------|------|----------------|------|
|                | MILLIMETERS       |      | INCHES         |      |
|                | MIN.              | MAX. | MIN.           | MAX. |
| A              | —                 | 1.10 | —              | .043 |
| A <sub>1</sub> | 0.05              | 0.15 | .002           | .006 |
| A <sub>2</sub> | 0.85              | 0.95 | .033           | .037 |
| b              | 0.19              | 0.30 | .007           | .012 |
| b <sub>1</sub> | 0.19              | 0.25 | .007           | .010 |
| c              | 0.09              | 0.20 | .004           | .008 |
| c <sub>1</sub> | 0.09              | 0.14 | .004           | .006 |
| D              | SEE VARIATIONS    |      | SEE VARIATIONS |      |
| E              | 4.30              | 4.50 | .169           | .177 |
| e              | 0.65 BSC          |      | .026 BSC       |      |
| H              | 6.25              | 6.55 | .246           | .258 |
| L              | 0.50              | 0.70 | .020           | .028 |
| N              | SEE VARIATIONS    |      | SEE VARIATIONS |      |
| α              | 0°                | 8°   | 0°             | 8°   |
| bb             | 0.10 MAX          |      |                |      |



### NOTES

- DIMENSIONS D AND E DO NOT INCLUDE FLASH
- MOLD FLASH OR PROTRUSIONS NOT TO EXCEED 0.15mm PER SIDE
- CONTROLLING DIMENSION: MILLIMETER
- MEETS JEDEC OUTLINE MD-153. SEE JEDEC VARIATIONS TABLE
- "N" REFERS TO NUMBER OF LEADS
- LEAD COPLANARITY 0.10 MM MAX.
- NUMBER OF LEADS SHOWN ARE FOR REFERENCE ONLY
- MARKING IS FOR PACKAGE ORIENTATION REFERENCE ONLY
- BENT LEAD 0.10 MM MAX.

-DRAWING NOT TO SCALE-

| JEDEC<br>MD-153 | N  | PKG.<br>CODES                  | VARIATIONS  |      |        |      |
|-----------------|----|--------------------------------|-------------|------|--------|------|
|                 |    |                                | MILLIMETERS |      | INCHES |      |
|                 |    |                                | MIN.        | MAX. | MIN.   | MAX. |
| AB-1            | 14 | D<br>U14-1;<br>U14-2           | 4.90        | 5.10 | .193   | .201 |
| AB              | 16 | D<br>U16-1;<br>U16-2           | 4.90        | 5.10 | .193   | .201 |
| AC              | 20 | D<br>U20-2;<br>U20-3           | 6.40        | 6.60 | .252   | .260 |
| AD              | 24 | D<br>U24-1                     | 7.70        | 7.90 | .303   | .311 |
| AE              | 28 | D<br>U28-1;<br>U28-2;<br>U28-3 | 9.60        | 9.80 | .378   | .386 |



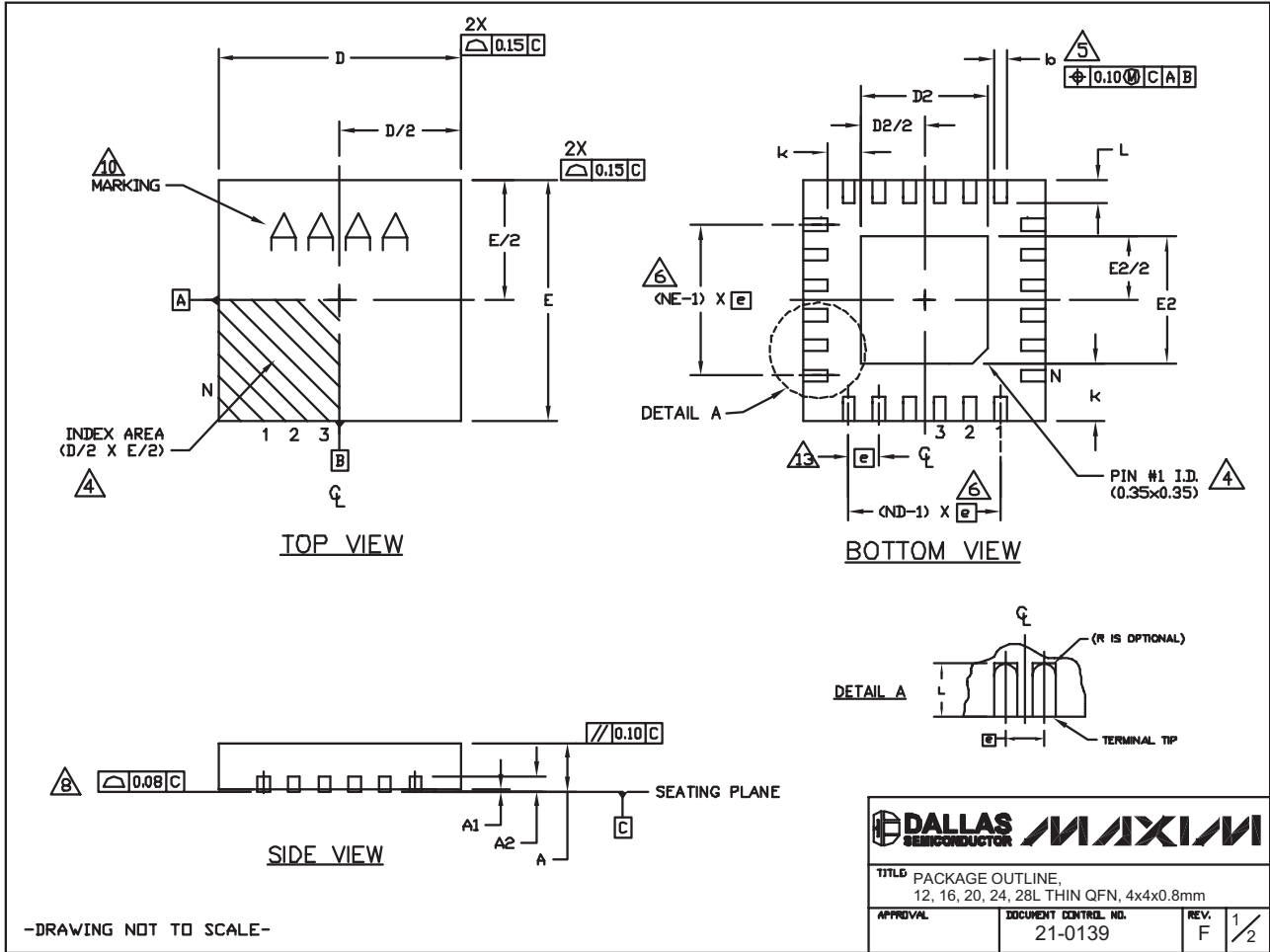
TITLE  
PACKAGE OUTLINE, TSSOP 4.40mm BODY

|          |                                 |           |     |
|----------|---------------------------------|-----------|-----|
| APPROVAL | DOCUMENT CONTROL NO.<br>21-0066 | REV.<br>I | 1/1 |
|----------|---------------------------------|-----------|-----|

# Buffered, Fast-Settling, Dual, 12-/10-/8-Bit, Voltage-Output DACs

## Package Information (continued)

(The package drawing(s) in this data sheet may not reflect the most current specifications. For the latest package outline information go to [www.maxim-ic.com/packages](http://www.maxim-ic.com/packages).)



24L QFN THIN.EPS

# Buffered, Fast-Settling, Dual, 12-/10-/8-Bit, Voltage-Output DACs

## Package Information (continued)

(The package drawing(s) in this data sheet may not reflect the most current specifications. For the latest package outline information go to [www.maxim-ic.com/packages](http://www.maxim-ic.com/packages).)

MAX5290-MAX5295

| COMMON DIMENSIONS |           |      |      |           |      |      |           |      |      |           |      |      |           |      |      |
|-------------------|-----------|------|------|-----------|------|------|-----------|------|------|-----------|------|------|-----------|------|------|
| PKG               | 12L 4x4   |      |      | 16L 4x4   |      |      | 20L 4x4   |      |      | 24L 4x4   |      |      | 28L 4x4   |      |      |
| REF.              | MIN.      | NOM. | MAX. | MIN.      | NOM. | MAX. | MIN.      | NOM. | MAX. | MIN.      | NOM. | MAX. | MIN.      | NOM. | MAX. |
| A                 | 0.70      | 0.75 | 0.80 | 0.70      | 0.75 | 0.80 | 0.70      | 0.75 | 0.80 | 0.70      | 0.75 | 0.80 | 0.70      | 0.75 | 0.80 |
| A1                | 0.0       | 0.02 | 0.05 | 0.0       | 0.02 | 0.05 | 0.0       | 0.02 | 0.05 | 0.0       | 0.02 | 0.05 | 0.0       | 0.02 | 0.05 |
| A2                | 0.20 REF  |      |      | 0.20 REF  |      |      | 0.20 REF  |      |      | 0.20 REF  |      |      | 0.20 REF  |      |      |
| b                 | 0.25      | 0.30 | 0.35 | 0.25      | 0.30 | 0.35 | 0.20      | 0.25 | 0.30 | 0.18      | 0.23 | 0.30 | 0.15      | 0.20 | 0.25 |
| D                 | 3.90      | 4.00 | 4.10 | 3.90      | 4.00 | 4.10 | 3.90      | 4.00 | 4.10 | 3.90      | 4.00 | 4.10 | 3.90      | 4.00 | 4.10 |
| E                 | 3.90      | 4.00 | 4.10 | 3.90      | 4.00 | 4.10 | 3.90      | 4.00 | 4.10 | 3.90      | 4.00 | 4.10 | 3.90      | 4.00 | 4.10 |
| e                 | 0.80 BSC. |      |      | 0.65 BSC. |      |      | 0.50 BSC. |      |      | 0.50 BSC. |      |      | 0.40 BSC. |      |      |
| k                 | 0.25      | -    | -    | 0.25      | -    | -    | 0.25      | -    | -    | 0.25      | -    | -    | 0.25      | -    | -    |
| L                 | 0.45      | 0.55 | 0.65 | 0.45      | 0.55 | 0.65 | 0.45      | 0.55 | 0.65 | 0.30      | 0.40 | 0.50 | 0.30      | 0.40 | 0.50 |
| N                 | 12        |      |      | 16        |      |      | 20        |      |      | 24        |      |      | 28        |      |      |
| ND                | 3         |      |      | 4         |      |      | 5         |      |      | 6         |      |      | 7         |      |      |
| NE                | 3         |      |      | 4         |      |      | 5         |      |      | 6         |      |      | 7         |      |      |
| JeDEC Ver.        | VGGB      |      |      | VGGC      |      |      | WGGD-1    |      |      | WGGD-2    |      |      | WGGE      |      |      |

| EXPOSED PAD VARIATIONS |      |      |      |      |      |      |      |
|------------------------|------|------|------|------|------|------|------|
| PKG CODES              | D2   |      |      | E2   |      |      | MAX. |
|                        | MIN. | NOM. | MAX. | MIN. | NOM. | MAX. |      |
| T1244-3                | 1.95 | 2.10 | 2.25 | 1.95 | 2.10 | 2.25 | 0.80 |
| T1244-4                | 1.95 | 2.10 | 2.25 | 1.95 | 2.10 | 2.25 |      |
| T1644-3                | 1.95 | 2.10 | 2.25 | 1.95 | 2.10 | 2.25 |      |
| T1644-4                | 1.95 | 2.10 | 2.25 | 1.95 | 2.10 | 2.25 |      |
| T2044-2                | 1.95 | 2.10 | 2.25 | 1.95 | 2.10 | 2.25 |      |
| T2044-3                | 1.95 | 2.10 | 2.25 | 1.95 | 2.10 | 2.25 |      |
| T2444-2                | 1.95 | 2.10 | 2.25 | 1.95 | 2.10 | 2.25 |      |
| T2444-3                | 2.45 | 2.60 | 2.63 | 2.45 | 2.60 | 2.63 |      |
| T2444-4                | 2.45 | 2.60 | 2.63 | 2.45 | 2.60 | 2.63 |      |
| T2844-1                | 2.50 | 2.60 | 2.70 | 2.50 | 2.60 | 2.70 |      |

### NOTES:

- DIMENSIONING & TOLERANCING CONFORM TO ASME Y14.5M-1994.
- ALL DIMENSIONS ARE IN MILLIMETERS. ANGLES ARE IN DEGREES.
- N IS THE TOTAL NUMBER OF TERMINALS.
- THE TERMINAL #1 IDENTIFIER AND TERMINAL NUMBERING CONVENTION SHALL CONFORM TO JESD 95-1 SPP-012. DETAILS OF TERMINAL #1 IDENTIFIER ARE OPTIONAL, BUT MUST BE LOCATED WITHIN THE ZONE INDICATED. THE TERMINAL #1 IDENTIFIER MAY BE EITHER A MOLD OR MARKED FEATURE.
- DIMENSION b APPLIES TO METALLIZED TERMINAL AND IS MEASURED BETWEEN 0.25mm AND 0.30mm FROM TERMINAL TIP.
- ND AND NE REFER TO THE NUMBER OF TERMINALS ON EACH D AND E SIDE RESPECTIVELY.
- DEPOPULATION IS POSSIBLE IN A SYMMETRICAL FASHION.
- COPLANARITY APPLIES TO THE EXPOSED HEAT SINK SLUG AS WELL AS THE TERMINALS.
- DRAWING CONFORMS TO JEDEC MO220, EXCEPT FOR T2444-3, T2444-4 AND T2844-1.
- MARKING IS FOR PACKAGE ORIENTATION REFERENCE ONLY.
- COPLANARITY SHALL NOT EXCEED 0.08mm.
- WARPAGE SHALL NOT EXCEED 0.10mm.
- LEAD CENTERLINES TO BE AT TRUE POSITION AS DEFINED BY BASIC DIMENSION 'e', ±0.05.
- NUMBER OF LEADS SHOWN ARE FOR REFERENCE ONLY.
- ALL DIMENSIONS ARE THE SAME FOR LEADED & P6FREE PARTS.

-DRAWING NOT TO SCALE-

|   |                                 |
|---|---------------------------------|
|   |                                 |
| TITLE PACKAGE OUTLINE,<br>12, 16, 20, 24, 28L THIN QFN, 4x4x0.8mm |                                 |
| APPROVAL  | DOCUMENT CONTROL NO.<br>21-0139 |
| REV. F  | 2/2                             |

## Revision History

Pages changed at Rev 3: 1, 6-9, 33, 34, 35

Maxim cannot assume responsibility for use of any circuitry other than circuitry entirely embodied in a Maxim product. No circuit patent licenses are implied. Maxim reserves the right to change the circuitry and specifications without notice at any time.

Maxim Integrated Products, 120 San Gabriel Drive, Sunnyvale, CA 94086 408-737-7600 35

[Maxim](#) > [Products](#) > [Digital-to-Analog Converters](#)

# MAX5290, MAX5291, MAX5292, MAX5293, MAX5294, MAX5295

Buffered, Fast-Settling, Dual, 12-/10-/8-Bit, Voltage-Output DACs

**Buffered, Fast-Settling, Dual, 12-/10-/8-Bit, Voltage-Output DACs Provide Excellent Static Accuracy**

[QuickView](#)

[Technical Documents](#)

[Ordering Info](#)

[More Information](#)

[All](#)

## Ordering Information

### Notes:

- Other options and links for purchasing parts are listed at: <http://www.maxim-ic.com/sales>.
- [Didn't Find What You Need?](#) Ask our applications engineers. Expert assistance in finding parts, usually within one business day.
- Part number suffixes: T or T&R = tape and reel; + = RoHS/lead-free; # = RoHS/lead-exempt. More: See [Full Data Sheet](#) or [Part Naming Conventions](#).
- \* Some packages have variations, listed on the drawing. "PkgCode/Variation" tells which variation the product uses.

### Devices: 1-29 of 29

| MAX5290       | Free Sample | Buy | Package: TYPE PINS FOOTPRINT<br>DRAWING CODE/VAR *   | Temp         | RoHS/Lead-Free?<br>Materials Analysis                                |
|---------------|-------------|-----|--|--------------|--|
| MAX5290AEUE   |             |     |  | -40C to +85C | RoHS/Lead-Free: See data sheet                                       |
| MAX5290AEUD   |             |     | TSSOP;14 pin;33 mm<br>Dwg: <a href="#">21-0066I</a> (PDF)<br>Use pkgcode/variation: U14-1* | -40C to +85C | RoHS/Lead-Free: <a href="#">No Materials Analysis</a>                |
| MAX5290AEUD-T |             |     | TSSOP;14 pin;33 mm<br>Dwg: <a href="#">21-0066I</a> (PDF)<br>Use pkgcode/variation: U14-1* | -40C to +85C | RoHS/Lead-Free: <a href="#">No Materials Analysis</a>                |
| MAX5290BEUD   |             |     | TSSOP;14 pin;33 mm<br>Dwg: <a href="#">21-0066I</a> (PDF)<br>Use pkgcode/variation: U14-1* | -40C to +85C | RoHS/Lead-Free: <a href="#">No Materials Analysis</a>                |
| MAX5290BEUD+T |             |     | TSSOP;14 pin;33 mm<br>Dwg: <a href="#">21-0066I</a> (PDF)<br>Use pkgcode/variation: U14+1* | -40C to +85C | RoHS/Lead-Free: <a href="#">Lead Free Materials Analysis</a>         |
| MAX5290BEUD+  |             |     | TSSOP;14 pin;33 mm<br>Dwg: <a href="#">21-0066I</a> (PDF)<br>Use pkgcode/variation: U14+1* | -40C to +85C | RoHS/Lead-Free: <a href="#">Lead Free Materials Analysis</a>         |
| MAX5290BEUD-T |             |     | TSSOP;14 pin;33 mm<br>Dwg: <a href="#">21-0066I</a> (PDF)<br>Use pkgcode/variation: U14-1* | -40C to +85C | RoHS/Lead-Free: <a href="#">No Materials Analysis</a>                |
| MAX5291       | Free Sample | Buy | Package: TYPE PINS FOOTPRINT<br>DRAWING CODE/VAR *   | Temp         | RoHS/Lead-Free?<br>Materials Analysis                                |
| MAX5291BEUE-T |             |     | TSSOP;16 pin;33 mm<br>Dwg: <a href="#">21-0066I</a> (PDF)<br>Use pkgcode/variation: U16-1* | -40C to +85C | RoHS/Lead-Free: <a href="#">No Materials Analysis</a>                |
| MAX5291AEUE   |             |     | TSSOP;16 pin;33 mm<br>Dwg: <a href="#">21-0066I</a> (PDF)<br>Use pkgcode/variation: U16-1* | -40C to +85C | RoHS/Lead-Free: <a href="#">No Materials Analysis</a>                |
| MAX5291BEUE+T |             |     | TSSOP;16 pin;33 mm<br>Dwg: <a href="#">21-0066I</a> (PDF)<br>Use pkgcode/variation: U16+1* | -40C to +85C | RoHS/Lead-Free: See data sheet<br><a href="#">Materials Analysis</a> |

|                |                    |            |  |              |  |
|----------------|--------------------|------------|--|--------------|--|
| MAX5291BEUE+   |                    |            | TSSOP;16 pin;33 mm<br>Dwg: <a href="#">21-0066I</a> (PDF)<br>Use pkgcode/variation: U16+1* | -40C to +85C | RoHS/Lead-Free: See data sheet<br><a href="#">Materials Analysis</a> |
| MAX5291BEUE    |                    |            | TSSOP;16 pin;33 mm<br>Dwg: <a href="#">21-0066I</a> (PDF)<br>Use pkgcode/variation: U16-1* | -40C to +85C | RoHS/Lead-Free: <a href="#">No Materials Analysis</a>                |
| MAX5291AEUE-T  |                    |            | TSSOP;16 pin;33 mm<br>Dwg: <a href="#">21-0066I</a> (PDF)<br>Use pkgcode/variation: U16-1* | -40C to +85C | RoHS/Lead-Free: <a href="#">No Materials Analysis</a>                |
| <b>MAX5292</b> | <b>Free Sample</b> | <b>Buy</b> | <b>Package: TYPE PINS FOOTPRINT<br/>DRAWING CODE/VAR *</b>                                 | <b>Temp</b>  | <b>RoHS/Lead-Free?<br/>Materials Analysis</b>                        |
| MAX5292EUD+    |                    |            | TSSOP;14 pin;33 mm<br>Dwg: <a href="#">21-0066I</a> (PDF)<br>Use pkgcode/variation: U14+1* | -40C to +85C | RoHS/Lead-Free: <a href="#">Lead Free Materials Analysis</a>         |
| MAX5292EUD     |                    |            | TSSOP;14 pin;33 mm<br>Dwg: <a href="#">21-0066I</a> (PDF)<br>Use pkgcode/variation: U14-1* | -40C to +85C | RoHS/Lead-Free: <a href="#">No Materials Analysis</a>                |
| MAX5292EUD+T   |                    |            | TSSOP;14 pin;33 mm<br>Dwg: <a href="#">21-0066I</a> (PDF)<br>Use pkgcode/variation: U14+1* | -40C to +85C | RoHS/Lead-Free: <a href="#">Lead Free Materials Analysis</a>         |
| MAX5292EUD-T   |                    |            | TSSOP;14 pin;33 mm<br>Dwg: <a href="#">21-0066I</a> (PDF)<br>Use pkgcode/variation: U14-1* | -40C to +85C | RoHS/Lead-Free: <a href="#">No Materials Analysis</a>                |
| <b>MAX5293</b> | <b>Free Sample</b> | <b>Buy</b> | <b>Package: TYPE PINS FOOTPRINT<br/>DRAWING CODE/VAR *</b>                                 | <b>Temp</b>  | <b>RoHS/Lead-Free?<br/>Materials Analysis</b>                        |
| MAX5293EUE+T   |                    |            | TSSOP;16 pin;33 mm<br>Dwg: <a href="#">21-0066I</a> (PDF)<br>Use pkgcode/variation: U16+1* | -40C to +85C | RoHS/Lead-Free: <a href="#">Lead Free Materials Analysis</a>         |
| MAX5293EUE+    |                    |            | TSSOP;16 pin;33 mm<br>Dwg: <a href="#">21-0066I</a> (PDF)<br>Use pkgcode/variation: U16+1* | -40C to +85C | RoHS/Lead-Free: <a href="#">Lead Free Materials Analysis</a>         |
| MAX5293EUE     |                    |            | TSSOP;16 pin;33 mm<br>Dwg: <a href="#">21-0066I</a> (PDF)<br>Use pkgcode/variation: U16-1* | -40C to +85C | RoHS/Lead-Free: <a href="#">No Materials Analysis</a>                |
| MAX5293EUE-T   |                    |            | TSSOP;16 pin;33 mm<br>Dwg: <a href="#">21-0066I</a> (PDF)<br>Use pkgcode/variation: U16-1* | -40C to +85C | RoHS/Lead-Free: <a href="#">No Materials Analysis</a>                |
| <b>MAX5294</b> | <b>Free Sample</b> | <b>Buy</b> | <b>Package: TYPE PINS FOOTPRINT<br/>DRAWING CODE/VAR *</b>                                 | <b>Temp</b>  | <b>RoHS/Lead-Free?<br/>Materials Analysis</b>                        |
| MAX5294EUD     |                    |            | TSSOP;14 pin;33 mm<br>Dwg: <a href="#">21-0066I</a> (PDF)<br>Use pkgcode/variation: U14-1* | -40C to +85C | RoHS/Lead-Free: <a href="#">No Materials Analysis</a>                |
| MAX5294EUD-T   |                    |            | TSSOP;14 pin;33 mm<br>Dwg: <a href="#">21-0066I</a> (PDF)<br>Use pkgcode/variation: U14-1* | -40C to +85C | RoHS/Lead-Free: <a href="#">No Materials Analysis</a>                |
| MAX5294EUD+    |                    |            | TSSOP;14 pin;33 mm<br>Dwg: <a href="#">21-0066I</a> (PDF)<br>Use pkgcode/variation: U14+1* | -40C to +85C | RoHS/Lead-Free: <a href="#">Lead Free Materials Analysis</a>         |
| MAX5294EUD+T   |                    |            | TSSOP;14 pin;33 mm<br>Dwg: <a href="#">21-0066I</a> (PDF)<br>Use pkgcode/variation: U14+1* | -40C to +85C | RoHS/Lead-Free: <a href="#">Lead Free Materials Analysis</a>         |
| <b>MAX5295</b> | <b>Free Sample</b> | <b>Buy</b> | <b>Package: TYPE PINS FOOTPRINT<br/>DRAWING CODE/VAR *</b>                                 | <b>Temp</b>  | <b>RoHS/Lead-Free?<br/>Materials Analysis</b>                        |
| MAX5295EUE+T   |                    |            | TSSOP;16 pin;33 mm<br>Dwg: <a href="#">21-0066I</a> (PDF)<br>Use pkgcode/variation: U16+1* | -40C to +85C | RoHS/Lead-Free: See data sheet<br><a href="#">Materials Analysis</a> |
| MAX5295EUE+    |                    |            | TSSOP;16 pin;33 mm<br>Dwg: <a href="#">21-0066I</a> (PDF)<br>Use pkgcode/variation: U16+1* | -40C to +85C | RoHS/Lead-Free: See data sheet<br><a href="#">Materials Analysis</a> |
| MAX5295EUE     |                    |            | TSSOP;16 pin;33 mm<br>Dwg: <a href="#">21-0066I</a> (PDF)<br>Use pkgcode/variation: U16-1* | -40C to +85C | RoHS/Lead-Free: <a href="#">No Materials Analysis</a>                |
| MAX5295EUE-T   |                    |            | TSSOP;16 pin;33 mm<br>Dwg: <a href="#">21-0066I</a> (PDF)<br>Use pkgcode/variation: U16-1* | -40C to +85C | RoHS/Lead-Free: <a href="#">No Materials Analysis</a>                |

## Didn't Find What You Need?

- [Next Day Product Selection Assistance from Applications Engineers](#)
- [Parametric Search](#)
- [Applications Help](#)

### QuickView

[Description](#)  
[Key Features](#)  
[Applications/Uses](#)  
[Key Specifications](#)  
[Diagram](#)

### Technical Documents

[Data Sheet](#)  
[Application Notes](#)  
[Design Guides](#)  
[Engineering Journals](#)  
[Reliability Reports](#)  
[Software/Models](#)  
[Evaluation Kits](#)

### Ordering Info

[Price and Availability](#)  
[Samples](#)  
[Buy Online](#)  
[Package Information](#)  
[Lead-Free Information](#)

### More Information

[Related Products](#)  
[Notes and Comments](#)  
[Evaluation Kits](#)

Document Ref.: 19-3005; Rev 3; 2007-09-11  
This page last modified: 2007-09-11

[CONTACT US: SEND US AN EMAIL](#)