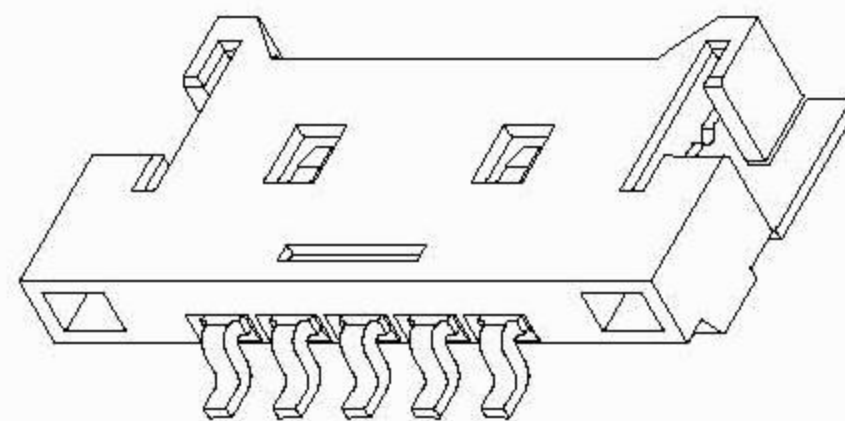
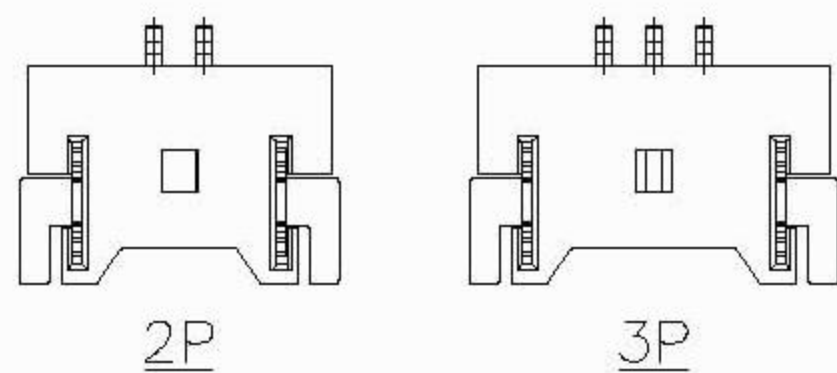


1 2 3 4 5 6 7 8 9 10

A

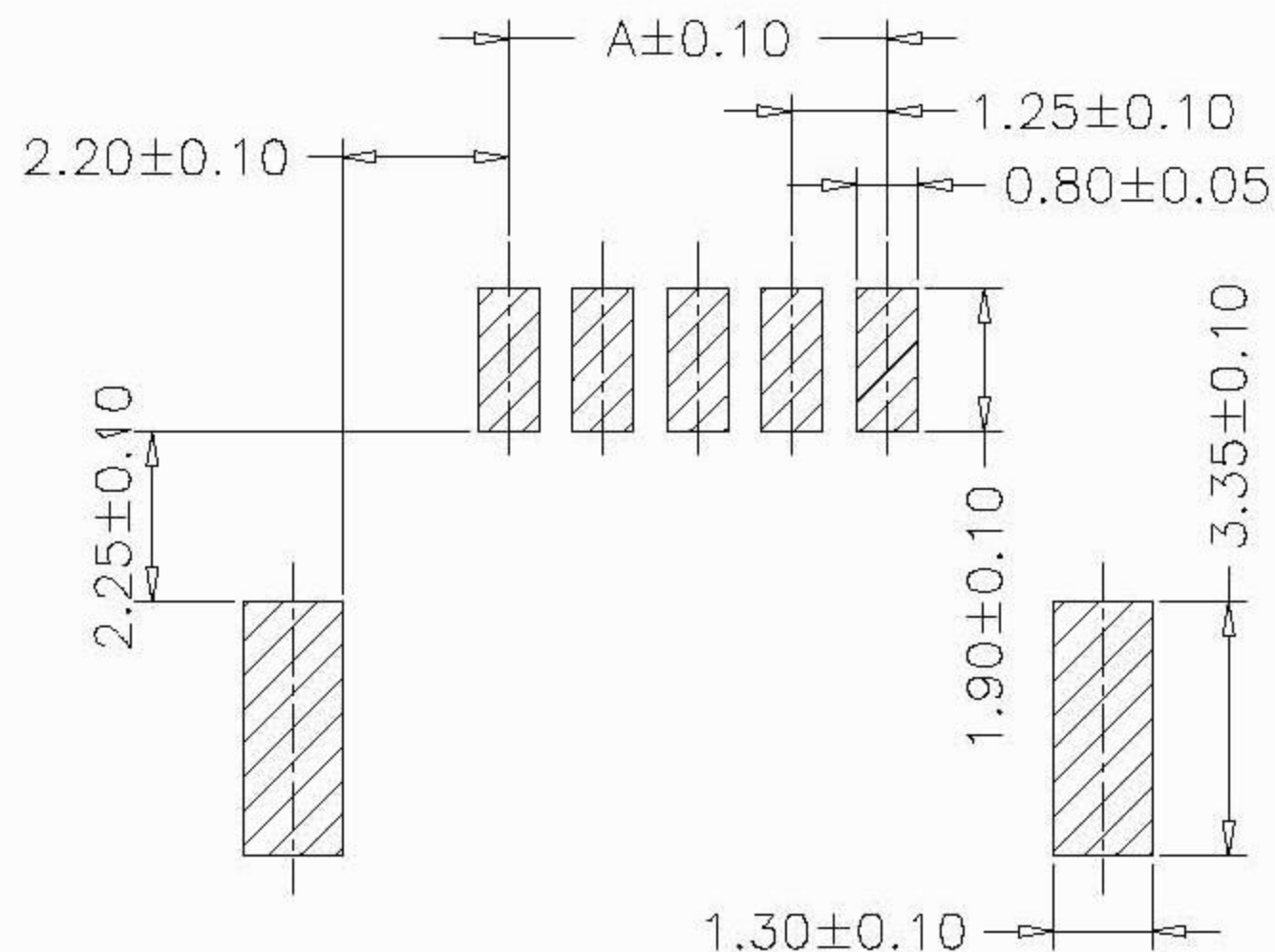
A



SPECIFICATIONS
 Current Rating: 1A AC,DC
 Voltage Rating: 125V AC,DC
 Temperature Range: -25°C ~ +85°C
 Contact Resistance: 20mΩ Max.
 Insulation Resistance: 100MΩ Min.
 Withstanding Voltage: 500V AC/minute
 Pin Material: Brass/Gold-plated 3u"
 Solder Tabs: Brass/Tin-plated
 Material: Nylon 6T,UL94V-0
 Color: Natural(Beige)

B

B



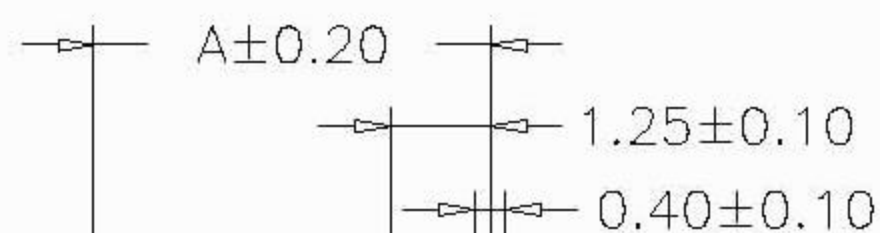
P.C.B. LAYOUT

Ordering Information & Dimensions

| PART NO. | Dimensions | | |
|-----------------|------------|-------|-------|
| | A | B | C |
| SCT1254WR-S-02P | 1.25 | 7.65 | 8.07 |
| SCT1254WR-S-03P | 2.50 | 8.90 | 9.32 |
| SCT1254WR-S-04P | 3.75 | 10.15 | 10.57 |
| SCT1254WR-S-05P | 5.00 | 11.40 | 11.82 |
| SCT1254WR-S-06P | 6.25 | 12.65 | 13.07 |
| SCT1254WR-S-07P | 7.50 | 13.90 | 14.32 |
| SCT1254WR-S-08P | 8.75 | 15.15 | 15.57 |
| SCT1254WR-S-09P | 10.00 | 16.40 | 16.82 |
| SCT1254WR-S-10P | 11.25 | 17.65 | 18.07 |
| SCT1254WR-S-11P | 12.50 | 18.90 | 19.32 |
| SCT1254WR-S-12P | 13.75 | 20.15 | 20.57 |
| SCT1254WR-S-14P | 16.25 | 22.65 | 23.07 |
| SCT1254WR-S-15P | 17.50 | 23.90 | 24.32 |
| SCT1254WR-S-16P | 18.75 | 25.15 | 25.57 |
| SCT1254WR-S-20P | 23.75 | 30.15 | 30.57 |
| SCT1254WR-S-30P | 36.25 | 42.65 | 43.07 |

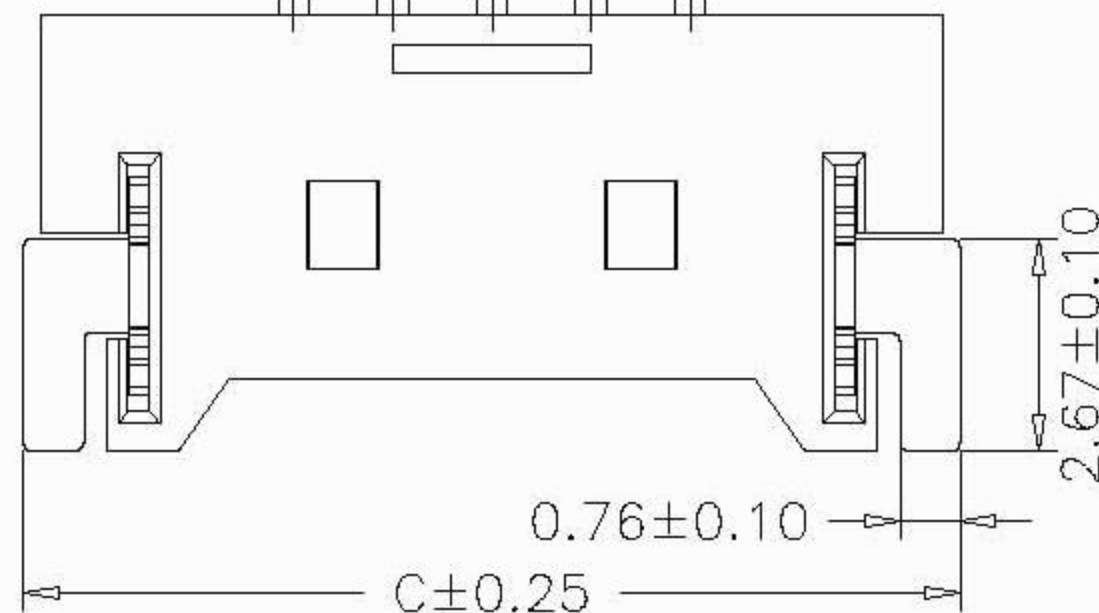
C

C



D

D

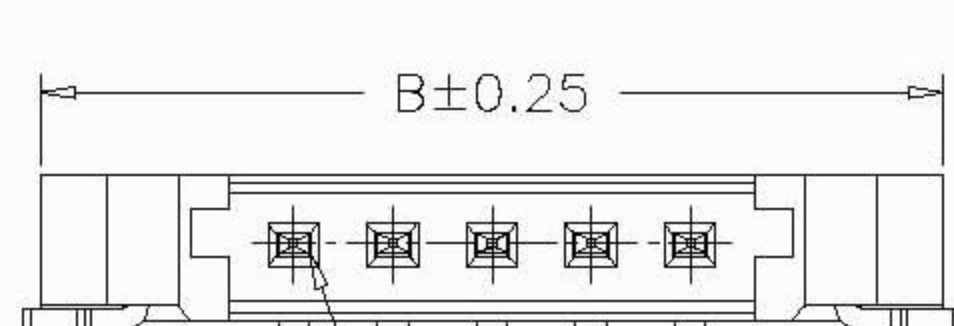


E

E

F

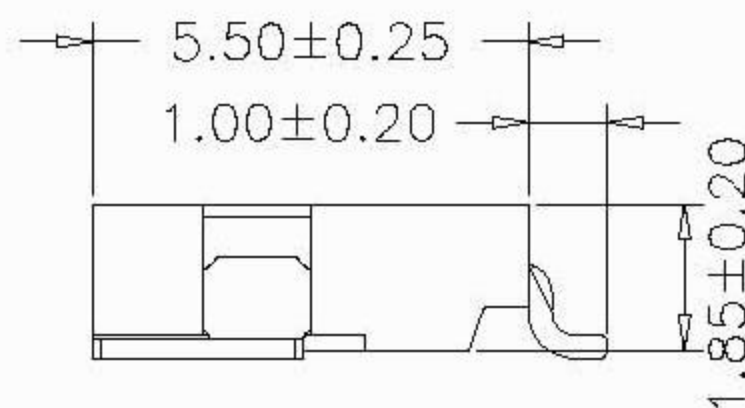
F



G

G

Circuit 1



H

H

| | | | | | | | | | |
|-----|----------|--------------------------|--------|---------------|---------|-------|-----|-----------------|---------------------|
| | | | | OPERATION | DRAW | SCALE | | L&X 深圳市连欣科技有限公司 | |
| | | | | ~ 10 ±0.15 | | UNIT | mm | | |
| | | | | 20 ~ 30 ±0.30 | DESIGN | SIZE | A4 | PART NO. | SCT1254WR-S-XP |
| 0 | 05/12/27 | NEW | | 30 ~ ±0.50 | CHECK | SHEET | 1/1 | TITLE: | 超薄MX1.25 SMT 90C WF |
| REV | DATE | MODIFICATION DESCRIPTION | CHANGE | APPROVE | APPROVE | PROJ. | ◆ | DRAWING NO. | SCT1254WR-S |

1 2 3 4 5 6 7 8 9 10