



Shenzhen Yajingxin Electron Co.,Ltd

| | |
|------------------------|-----------------------------|
| Customer | |
| Production Name | SMD OSC SEAM 3.2*2.5 |
| Customer P/N | N/A |
| P/N | G322530MUBCK20 |
| Revision | A |
| Print Date | 2024-03-01 |

| Drawn | Checked | Approved |
|---|---|---|
|  |  |  |



RoHS Compliant

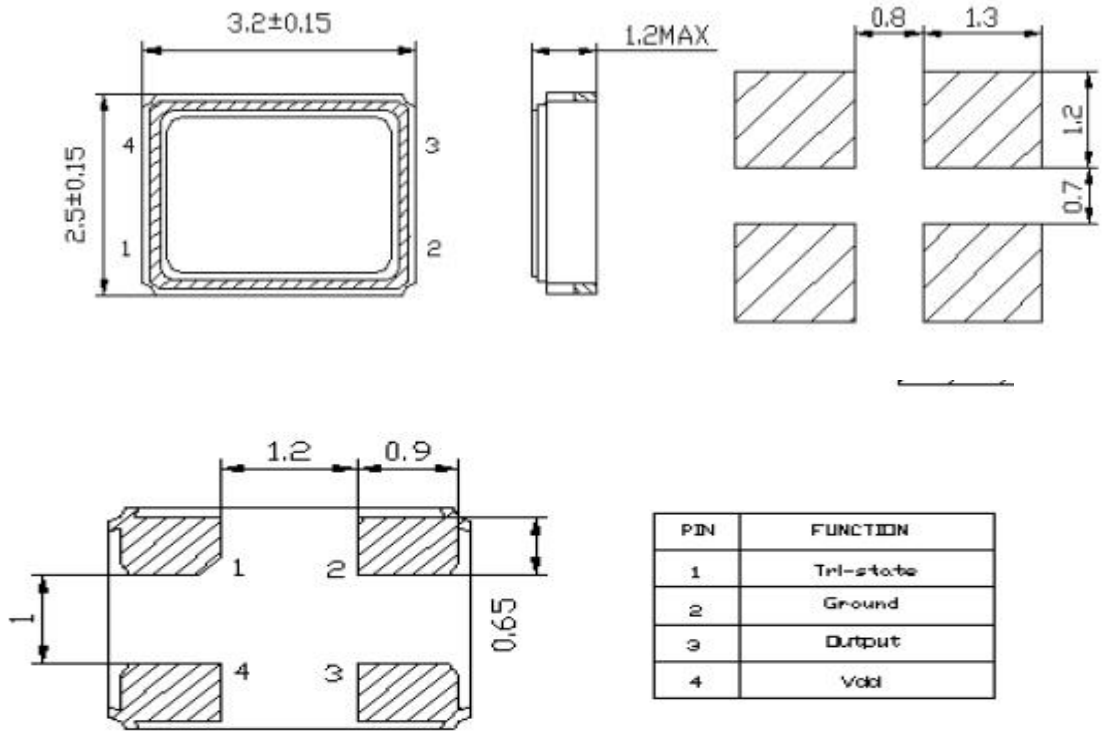


■ Electrical Specifications

| | |
|--------------------------------------|----------------------------|
| 1.Model No | 3225 OSC |
| 2.Nominal Frequency | 30.000000MHz |
| 3.Mode of Oscillation | Fundamental |
| 4.Operating Temperature Range | -40°C to 85 °C |
| 5.Storage Temperature Range | -55°C to +125°C |
| 6.Frequency Stability | ±10ppm |
| 7.Power Supply Voltage | 1.8-3.3V±10% |
| 8.Input Current | 5mA Max. 30.000000MHz |
| 9.Output Voltage | Logic High(Voh) 90%Vdd Min |
| | Logic Low(Vol) 10%Vdd Max |
| 10.Output Load | 15pF max CMOS Load |
| 11.Semmetry (at 50%VDD) | 40-60%Normal |
| 12.Rise & Fall Time | 8ns Max. |
| 13.E/D or N/C. | Tri-state |
| 14.Output Disable Time | 100nsec |
| 15.Output Enable Time(start-up time) | 10msec max |
| 16.Aging | ±3ppm/year |
| 17.Unit Weight | |

*****!*****

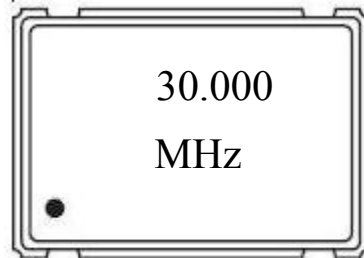
■ Dimensions



■ **Marking**

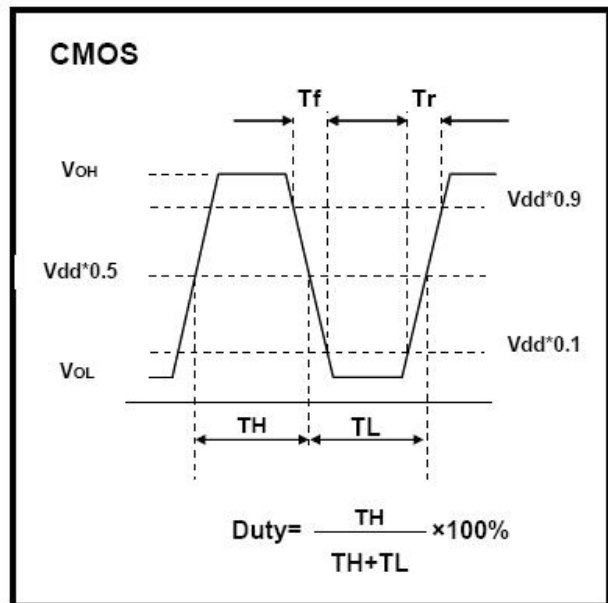
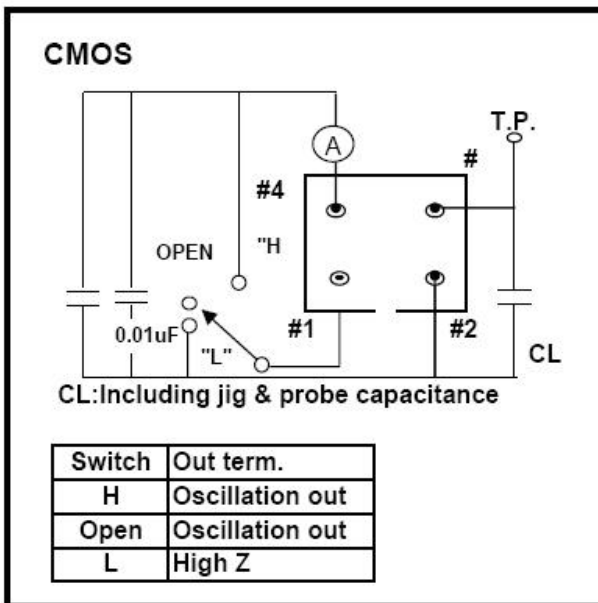
Line 1: 客户指定印字→

Line 2: ● → Pin#1 indication

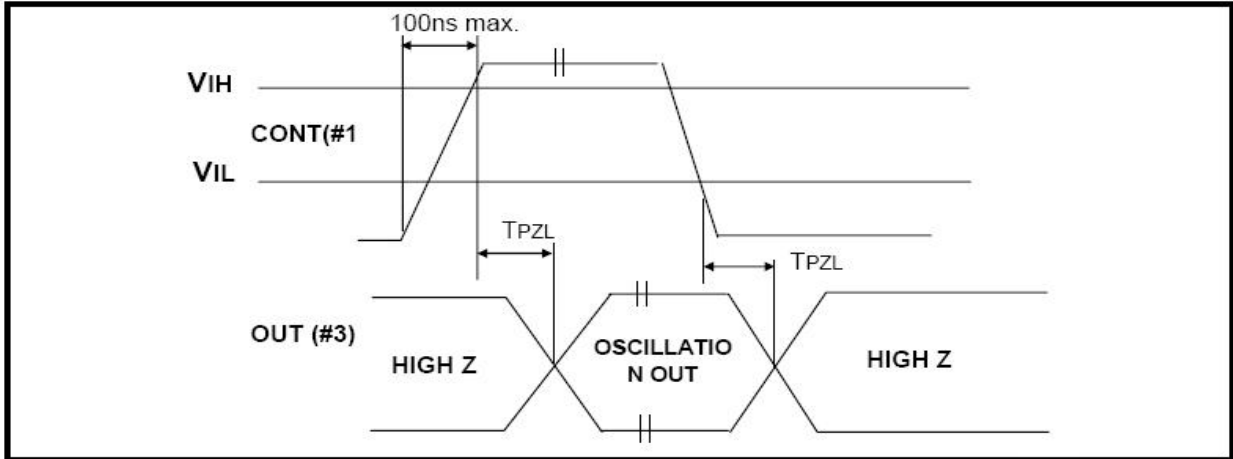


■ **Measurement Circuit**

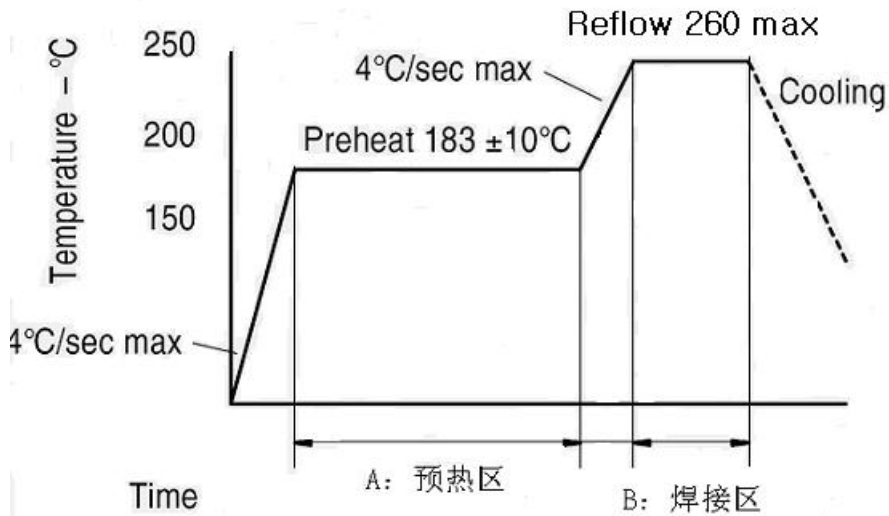
Output Wave Form



■ Input Output Condition



■ Reflow Profile



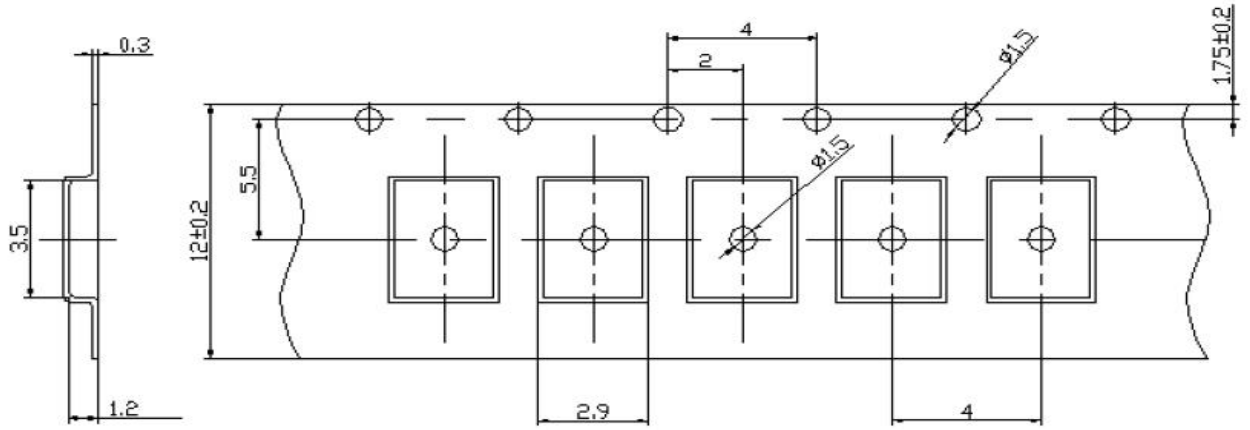


■ Reliability Specifications

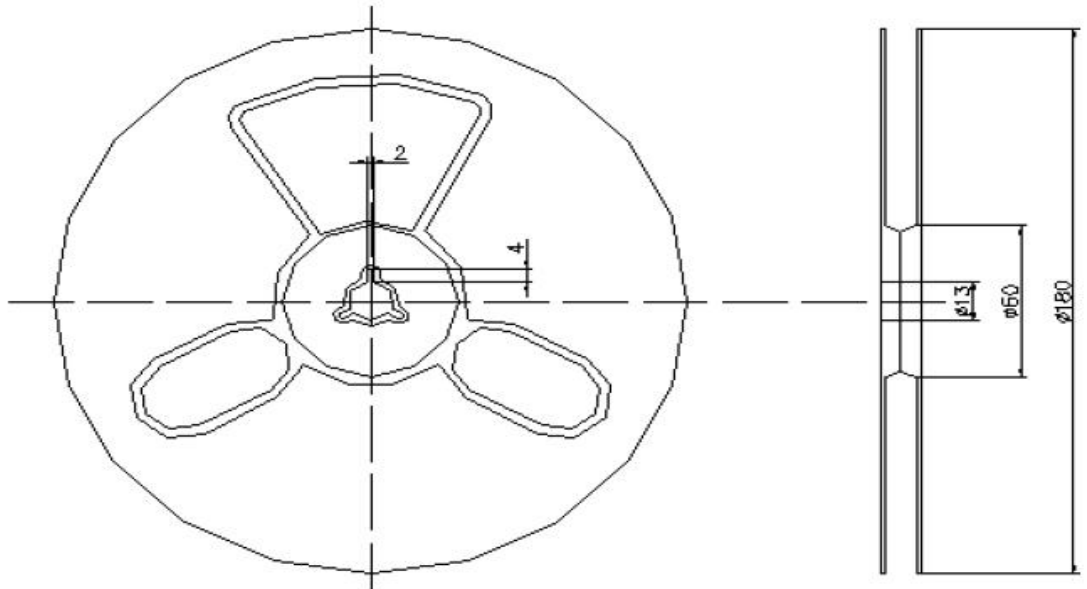
| No | Test Item | Test Methods |
|----|-----------------------------|---|
| 1 | DROP TEST | Device are dropped from a height of 75 cm onto 3 mm thickness stainless plate executing 3 times of random drops. |
| 2 | MECHANICAL SHOCK | Device are shocked to half sine wave (1000 G) three mutually perpendicular axes each 3 times. |
| 3 | High Temp and Humidity Test | 85°C/RH 85%, 500Hrs |
| 4 | High temp storage test | 125°C+/-2°C 500Hrs |
| 5 | Low temp storage test | -40°C 500Hrs |
| 6 | Thermal shock test | -40°C~+85°C DWEL 60' 100cycles |
| 7 | Aging test | 85°C 500Hrs |
| 8 | Resistance to solder heat | 260°C 10S |
| 9 | VIBRATION | Frequency range 10-2000 Hz Amplitude Sweep 1.5 mm Sweep Time 20 minute Test Time 2 hours |
| 10 | SOLDERABILITY | MIL - STD - 20E Method 208C Temperature 245°C±5°C Material H63A (Silver 2-3 %) Immersion depth 0.5 mm minimum Immersion time 3 ± 0.5 seconds Flux Rosin resin methyl |
| | | |

*****5*****

■ 编带 (TAPE)



■ 轮 (REEL)



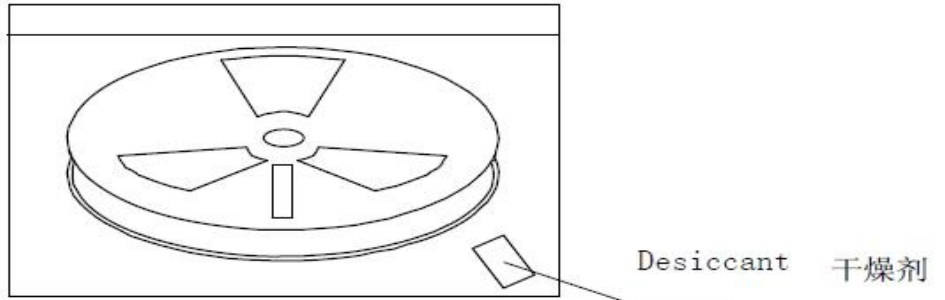
*****6*****

■ 包装 (PACKAGE)

1. 自封袋 (Bag)

3000只=1 轮

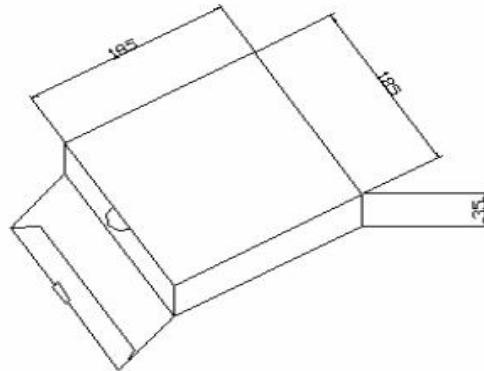
3000pcs=1 Reel



2. 内包装 (Inside package)

1 轮=1 盒

1 Reel=1 box



3. 外包装 (outside Package)

10 盒=1 箱

10 box=1 carton

