

MATERIAL:
 HOUSING: PA46, PBT, PA66, BLACK
 TERMINAL: PHOSPHOR BRONZE Ø0.46MM
 6 / GOLD PLATING

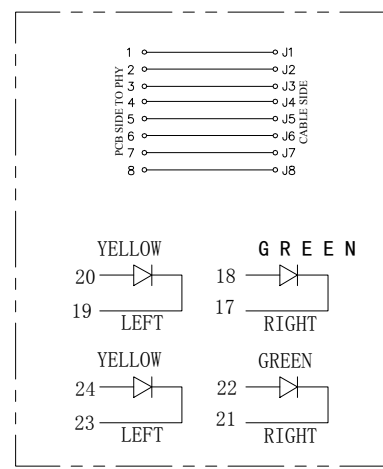
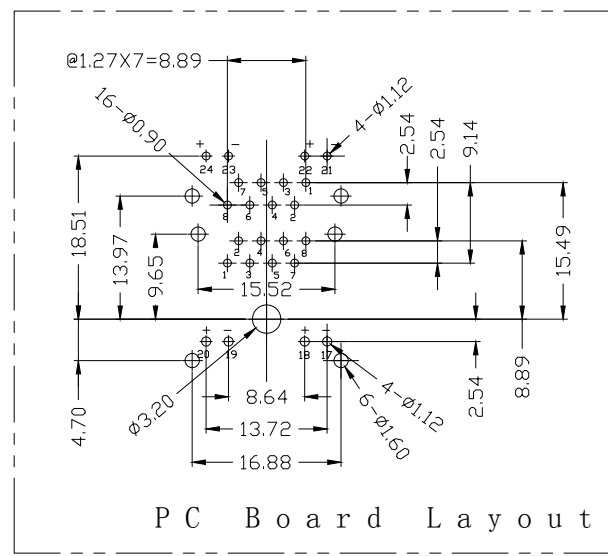
SHIELD: C2680, T=0.20MM, 20 MIN NICKEL PLATING
 NO ALL AREA

MACHANICAL:
 DURABILITY: 750 CYCLES MIN, 12.5MM/MINUTE.
 INSERTION FORCE: 2.2KG.F MAX.
 RETENTION STRENGTH: 7.7KG.F BETWEEN JACK AND PLUG.
 OPERATING TEMPERATURE: -40°C ~ +85°C
 STORAGE TEMPERATURE: -40°C ~ +85°C.
 ALL CRITICAL DIMENSIONS WITH ***

VOLTAGE: 125 VOLTS AC.
 CURRENT RATING: 1.5AMP.
 DIELECTRIC STRENGTH: 1000 VAC RMS 50HZ OR 60HZ, 1MIN.
 INSULATION RESISTANCE: 500 MEGA OHMS MIN. INITIAL
 AFTER 500V DC FOR 1 MINUTE.
 CONTACT RESISTANCE: SINGLE TERMINAL 30 MILLIOHMS MAX.
 INITIAL 50 MILLIOHMS MAX. AFTER
 DURABILITY TEST.

LED Specification

Standard LED Color	LED Wavelength	Foward(A)	Foward(V)
Yellow	568nm	20mA	1.85-2.45V
Green	585nm	20mA	1.7-2.2V



			GENEAL TOLERANCE	制 图 DRAWING	深圳市华灿天禄电子有限公司 ShenzhenhuacantianluELECTRONICS CO., LTD			
			DIM TOL	审 核 CHECK				
			X.X ±0.30	批 准 APPROVAL	产品名称 TITLE	网络插座 (带灯无弹)	版本 REV.	A
			X.XX ±0.20	比 例 SCALE	产品料号 PART NO.	HC-RJ45-059C-2x1-2	单 位 UNITS	mm
			X.XXX ±0.10	投 影 Projection	材 料 MATERIAL		页 次 SHEET	1/1
1	初版发行		Angle ±3.0°					
序号 No.	变更内容 MODIFY CONTENT	日期 MODIFY DATE						