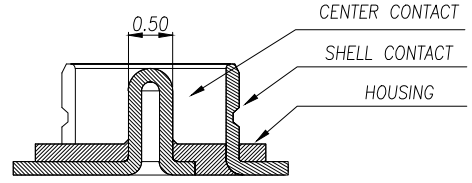
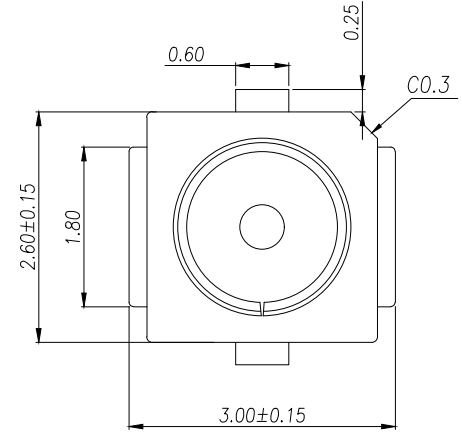


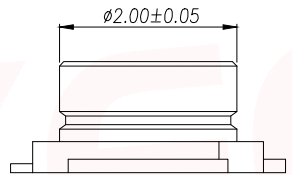
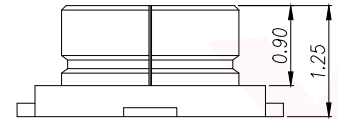
REV.	Q'TY	ECN. NO.	APR.	DATE

PRELIMINARY  
DESIGN IS SUBJECT  
TO CHANGE WITHOUT  
PRIOR NOTICE

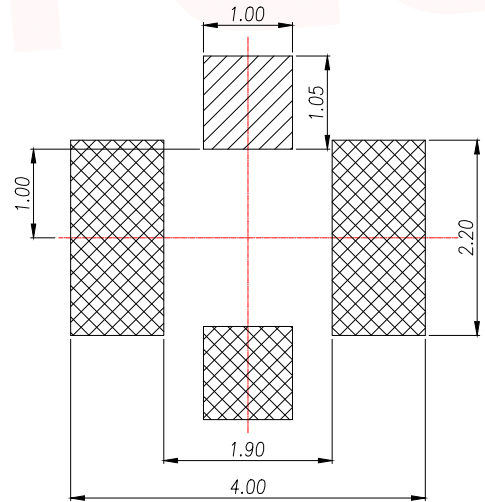
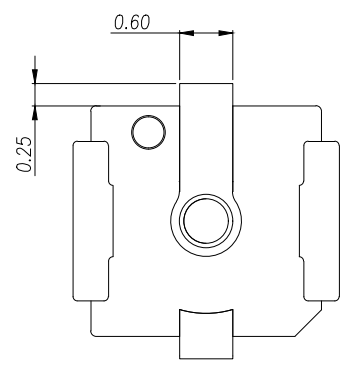


NOTES(备注) :

- 1.0. RATING :
- 1.1. VOITAGE :60 VAC (R.M.S.)
  - 1.2. NOMINAL CHARACTERISTIC IMPEDANCE: 50 Ohm
  - 1.3. APPLICABLE FREQUENCY: DC ~ 6GHz
  - 1.4. VSWR: 1.3 MAX. (DC~3GHz), 1.5 MAX. (3~6GHz)
  - 1.5. TEMPERATURE : -40°C TO +85°C
  - 1.6. APPLIED TO IR SOLDERING PROCESS



- 2.0. MATERIAL SEE BILL OF MATERIAL:
- 2.1. HOUSING: THERMOPLASTIC LCP, UL94V-0 (LCP UL94V-0),
  - 2.2. CENTER CONTACT : COPPER ALLOY C5191 (C5191).
  - 2.3. SHELL CONTACT: COPPER ALLOY C5191 (C5191).

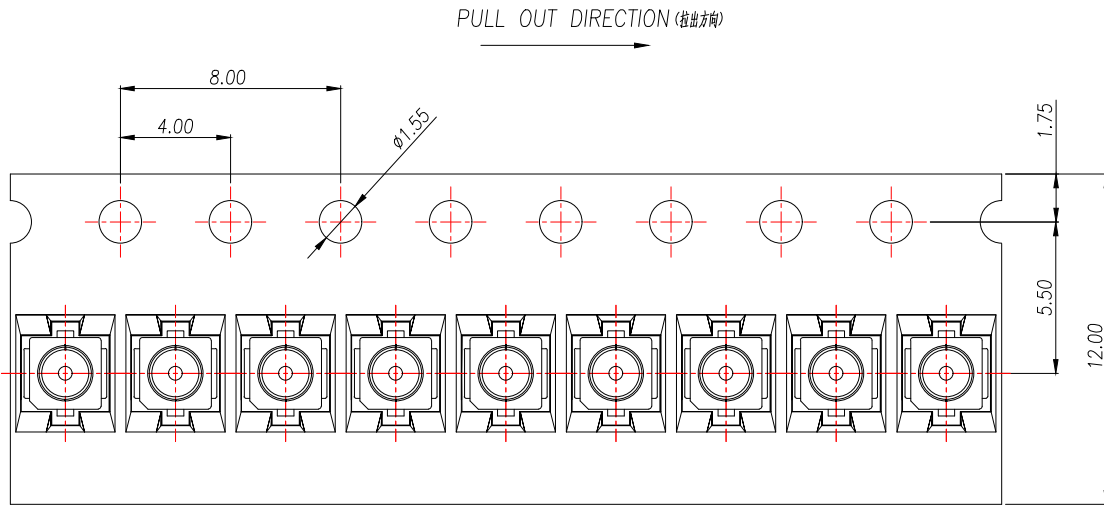


CENTER CONTACT  
 GROUND CONTACT

RECOMMENDED PCB LAYOUT  
(TOLERANCE: ±0.05)

DIMENSION IN mm		厦门市辛译精密电子有限公司 Xiamen XinYi Xyconn Electronics Co.,Ltd		
TOLERANCE UNLESS OTHERWISE SPECIFIED				
.X±0.35	X.*±5*	APR.	Alex	TITLE: 无线座 二代座子
.XX±0.25	.X.*±3*	CHK.	Jack	DWG NO. RF1-2D
.XXX±0.15	.XX.*±1*	DRA.	Can	PROJ.  CUSTOMER DRAWING
		SIZE A4	SCALE 1:1	SHEET 1/3 REV. A

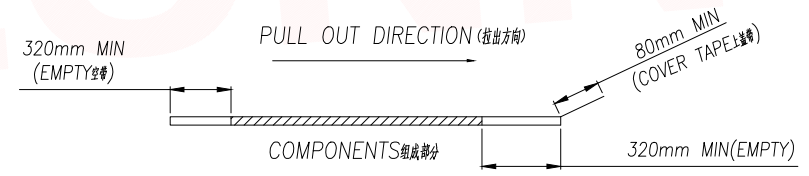
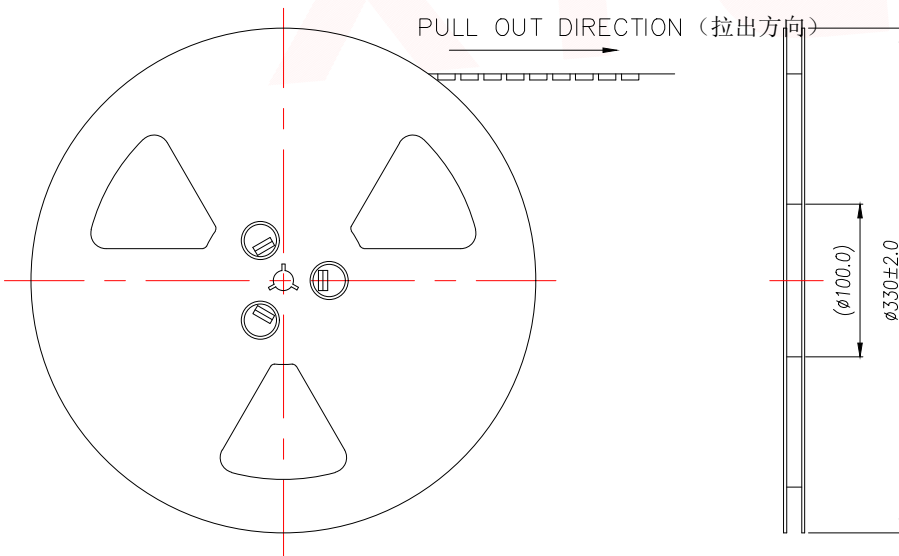
REV.	Q'TY	ECN. NO.	APR.	DATE



NOTES:

- MATERIAL :
  - EMBOSSED CARRIER: PET
  - COVER TAPE: PET
  - REEL: PS
  - SHIPPING CARTON: CORRUGATED FIBER
- DIMENSION :
  - REEL: W=12.5
  - SHIPPING CARTON: L=350, W=350, H=190
- QUANTITY :
  - PRIMARY PACKING: 10,000PCS/REEL
  - CRITERION PACKING: 10REELS/CARTON(10卷/箱100,000PCS)
- WEIGHT:
  - NET WEIGHT: 0.60KG/REEL.
  - GROSS WEIGHT: 0.60KG/REEL, 6.5KG/CARTON.
- PEELING RESISTANCE: 10gf~130gf.

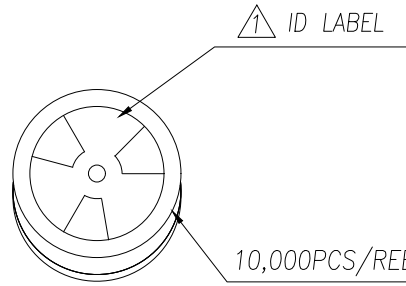
PRELIMINARY  
DESIGN IS SUBJECT  
TO CHANGE WITHOUT  
PRIOR NOTICE



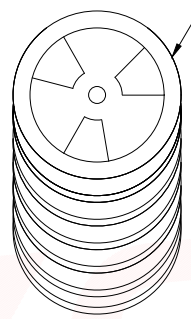
DIMENSION IN mm		厦门市辛译精密电子有限公司 Xiamen XinYi Xyconn Electronics Co.,Ltd		
TOLERANCE UNLESS OTHERWISE SPECIFIED		APR.	Alex	TITLE: 无线座 二代座子
.X±0.35	.X*± 5'	CHK.	Jack	DWG NO. RF1-2D
.XX±0.25	.X*± 3'	DRA.	Can	PROJ.  CUSTOMER DRAWING
.XXX±0.15	.XX*± 1'	SIZE	A4	SCALE 1:1 SHEET 2/3 REV. A

REV.	Q'TY	ECN. NO.	APR.	DATE

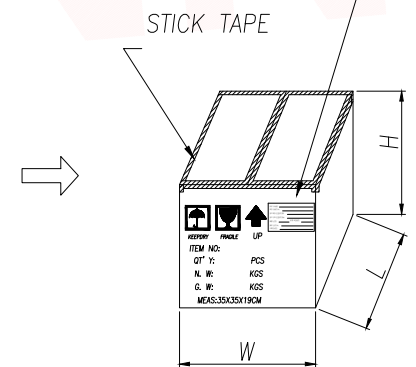
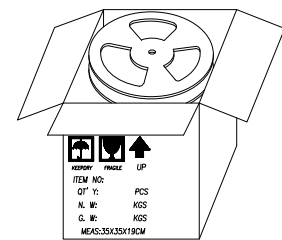
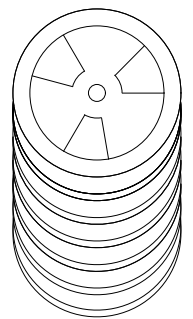
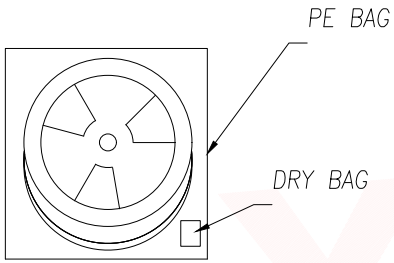
PRELIMINARY  
DESIGN IS SUBJECT  
TO CHANGE WITHOUT  
PRIOR NOTICE



10 REELS/CARTON



品名 NAME: \_\_\_\_\_  
 料号 PART No.: \_\_\_\_\_  
 客户料号 CLIENT PN: \_\_\_\_\_  
 客户订单 CLIENT PO#: \_\_\_\_\_  
 数量 QTY: \_\_\_\_\_ 重量 WEIGHT: \_\_\_\_\_  
 批次 LOT No.: \_\_\_\_\_  
 日期 DATE: \_\_\_\_\_



DIMENSION IN mm		厦门市辛译精密电子有限公司 Xiamen XinYi Xyconn Electronics Co.,Ltd		
TOLERANCE UNLESS OTHERWISE SPECIFIED				
.X±0.35	X.*± 5'	APR.	Alex	TITLE: 无线座 二代座子
.XX±0.25	.X.*± 3'	CHK.	Jack	DWG NO. RF1-2D
.XXX±0.15	.XX.*± 1'	DRA.	Can	PROJ.  CUSTOMER DRAWING
SIZE A4	SCALE 1:1	SHEET 2/3	REV. A	