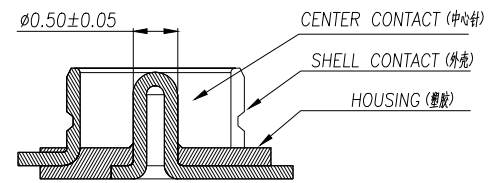
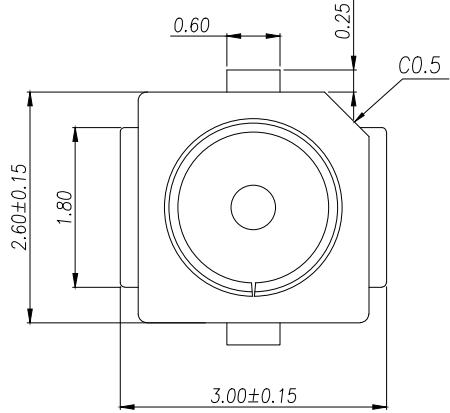


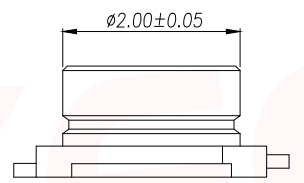
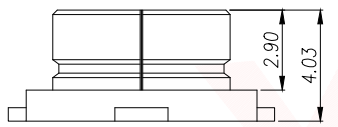
REV.	Q'TY	ECN. NO.	APR.	DATE

PRELIMINARY
DESIGN IS SUBJECT
TO CHANGE WITHOUT
PRIOR NOTICE

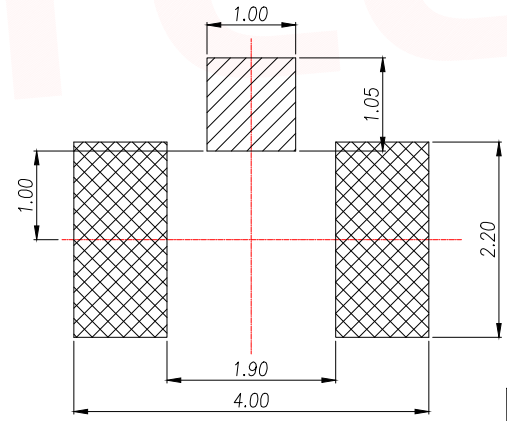
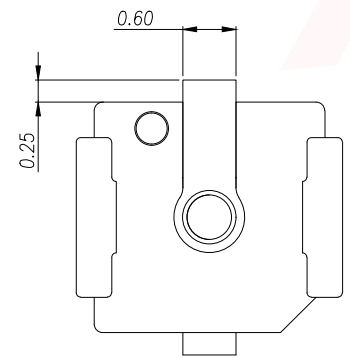


NOTES(备注) :

- 1.0. RATING :
- 1.1. VOITAGE :60 VAC (R.M.S.)
 - 1.2. NOMINAL CHARACTERISTIC IMPEDANCE: 50 Ohm
 - 1.3. APPLICABLE FREQUENCY: DC ~ 6GHz
 - 1.4. VSWR: 1.3 MAX. (DC~3GHz), 1.5 MAX. (3~6GHz)
 - 1.5. TEMPERATURE : -40°C TO +85°C
 - 1.6. APPLIED TO IR SOLDERING PROCESS



- 2.0. MATERIAL SEE BILL OF MATERIAL:
- 2.1. HOUSING: THERMOPLASTIC LCP, UL94V-0 (LCP UL94V-0),
 - 2.2. CENTER CONTACT : COPPER ALLOY C5191 (C5191).
 - 2.3. SHELL CONTACT: COPPER ALLOY C5191 (C5191).



RECOMMENDED PCB LAYOUT
(TOLERANCE: ±0.05)

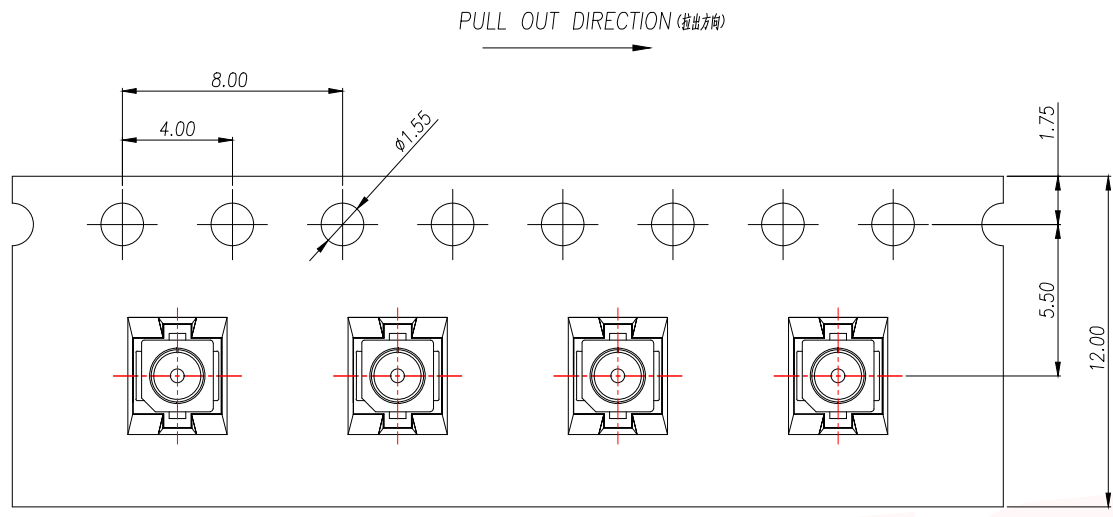
CENTER CONTACT
 GROUND CONTACT

DIMENSION IN mm		厦门市辛译精密电子有限公司 Xiamen XinYi Xyecom Electronics Co.,Ltd		
TOLERANCE UNLESS OTHERWISE SPECIFIED				
.X±0.35	X.*±5*	APR.	Alex	TITLE: 无线座一代座子
.XX±0.25	.X.*±3*	CHK.	Jack	DWG NO. RF1-1D
.XXX±0.15	.XX.*±1*	DRA.	Can	PROJ. CUSTOMER DRAWING
SIZE A4	SCALE 1:1	SHEET 1/3	REV. A	

REV.	Q'TY	ECN. NO.	APR.	DATE

A
B
C
D
E
F

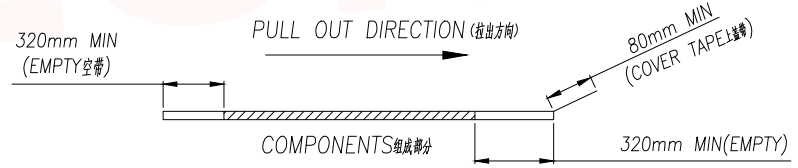
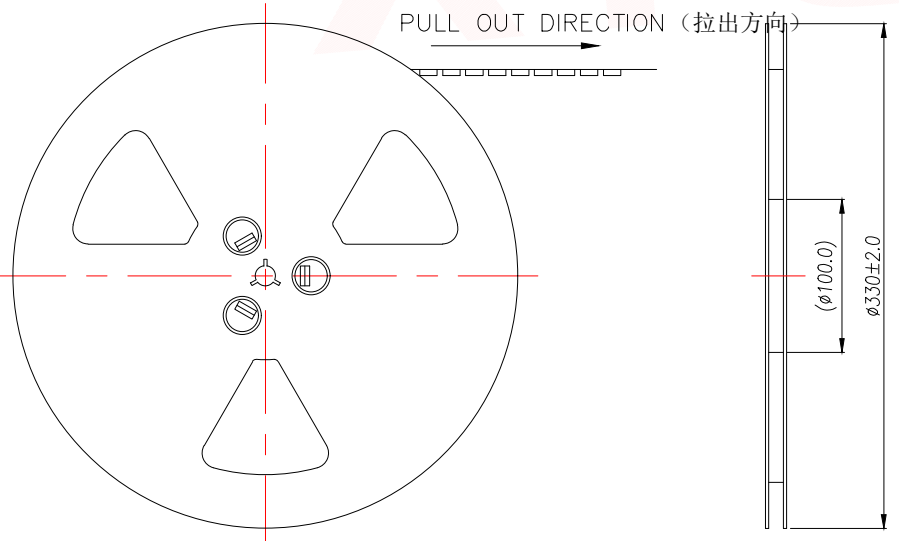
A
B
C
D
E
F



PRELIMINARY
DESIGN IS SUBJECT
TO CHANGE WITHOUT
PRIOR NOTICE

NOTES:

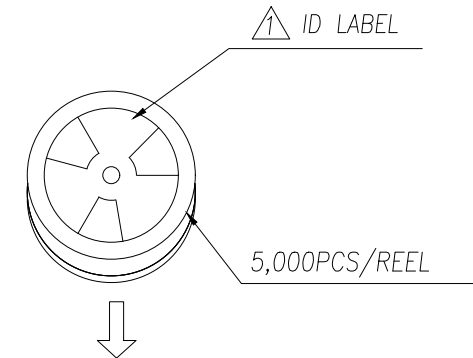
- MATERIAL:
 - 1.1 EMBOSSED CARRIER: PET
 - 1.2 COVER TAPE: PET
 - 1.3 REEL: PS
 - 1.4 SHIPPING CARTON: CORRUGATED FIBER
- DIMENSION:
 - 2.1 REEL: W=12.5
 - 2.2 SHIPPING CARTON: L=350, W=350, H=190
- QUANTITY:
 - 3.1 PRIMARY PACKING: 5000PCS/REEL
 - 3.2 CRITERION PACKING: 10REELS/CARTON(10卷/箱50000PCS)
- WEIGHT:
 - 4.1 NET WEIGHT: 0.50KG/REEL.
 - 4.2 GROSS WEIGHT: 0.50KG/REEL, 5.5KG/CARTON.
- PEELING RESISTANCE: 10gf~130gf.



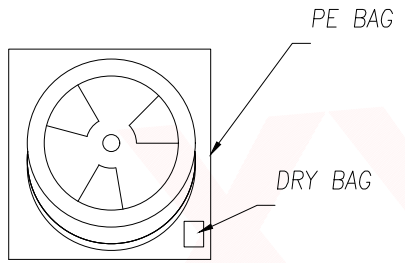
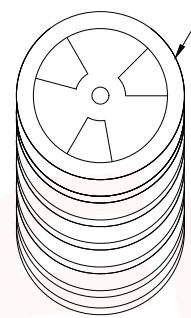
DIMENSION IN mm		厦门市辛译精密电子有限公司 Xiamen XinYi Xyconn Electronics Co.,Ltd			
TOLERANCE UNLESS OTHERWISE SPECIFIED		APR. Alex		TITLE: 无线座 一代座子	
.X \pm 0.35	X.* \pm 5*	CHK. Jack		DWG NO. RF1-1D	
.XX \pm 0.25	.X.* \pm 3*	DRA. Can		PROJ. CUSTOMER DRAWING	
.XXX \pm 0.15	.XX.* \pm 1*	SIZE A4	SCALE 1:1	SHEET 2/3	REV. A

REV.	Q'TY	ECN. NO.	APR.	DATE

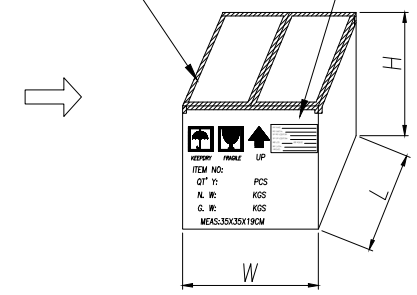
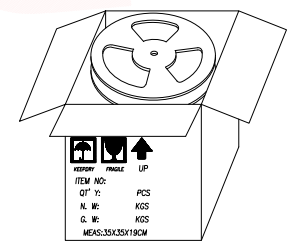
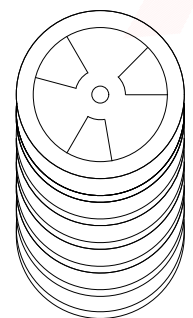
PRELIMINARY
DESIGN IS SUBJECT
TO CHANGE WITHOUT
PRIOR NOTICE



10REELS/CARTON



品名 NAME:	_____
料号 PART No.:	_____
客户料号 CLIENT PIN:	_____
客户订单 CLIENT PO#:	_____
数量 QTY:	_____
重量 WEIGHT:	_____
批次 LOT No.:	_____
日期 DATE:	_____



DIMENSION IN mm		厦门市辛译精密电子有限公司 Xiamen XinYi Xyconn Electronics Co.,Ltd		
TOLERANCE UNLESS OTHERWISE SPECIFIED				
.X±0.35	X.*± 5'	APR.	Alex	TITLE: 无线座 一代座子
.XX±0.25	.X.*± 3'	CHK.	Jack	DWG NO. RF1-1D
.XXX±0.15	.XX.*± 1'	DRA.	Can	PROJ. CUSTOMER DRAWING
		SIZE A4	SCALE 1:1	SHEET 3/3 REV. A