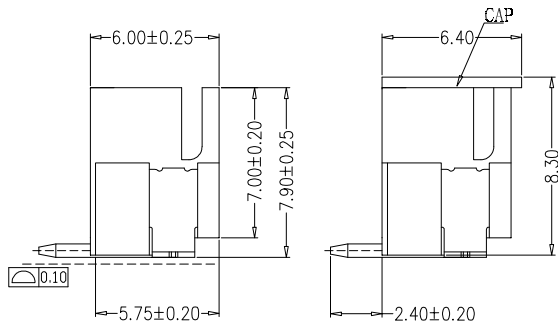
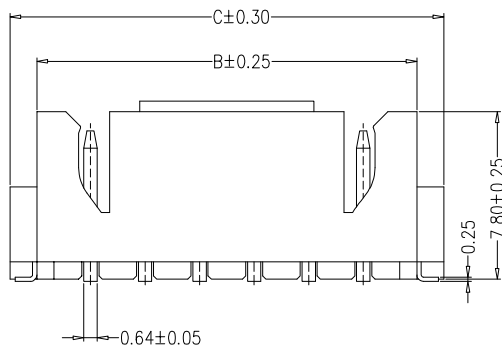
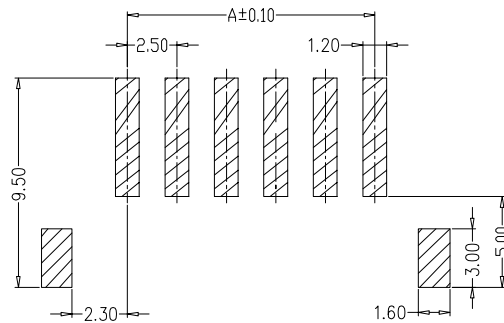
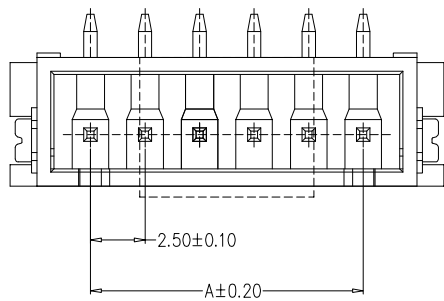


| | | | |
|----|------|------|----|
| 版本 | 变更内容 | 工程确认 | 日期 |
| | | | |



SPECIFICATIONS

- 1、Current Rating: 3A AC, DC
- 2、Voltage Rating: 250V AC, DC
- 3、Temperature Range: -25°C~+85°C
- 4、Contact Resistance: 20MΩ Max
- 5、Insulation Resistance: 1000MΩ Min
- 6、Withstanding Voltang: 1000V AC/minute
- 7、Material: Wafer LCP、PA6T、UL94V-0
PIN Brass Tin-plated
Soldier tad Phosphoric bronze Tin-plate



PCB LAYOUT

| 编号 | 尺寸 (mm) | | |
|-----------------|---------|-------|-------|
| | A | B | C |
| YTC-A2501LF-02A | 2.50 | 7.50 | 10.00 |
| YTC-A2501LF-03A | 5.00 | 10.00 | 12.50 |
| YTC-A2501LF-04A | 7.50 | 12.50 | 15.00 |
| YTC-A2501LF-05A | 10.00 | 15.00 | 17.50 |
| YTC-A2501LF-06A | 12.50 | 17.50 | 20.00 |
| YTC-A2501LF-07A | 15.00 | 20.00 | 25.00 |
| YTC-A2501LF-08A | 17.50 | 22.50 | 25.00 |
| YTC-A2501LF-09A | 20.00 | 25.00 | 27.50 |
| YTC-A2501LF-10A | 22.50 | 27.50 | 30.00 |
| YTC-A2501LF-11A | 25.00 | 30.00 | 32.50 |
| YTC-A2501LF-12A | 27.50 | 32.50 | 55.00 |
| YTC-A2501LF-20A | 47.50 | 52.50 | 55.00 |

| | | | | |
|--|------------------------|---------------|--------------|---|
| 深圳市怡远科技有限公司 SHENZHEN YIYUAN TECHNOLOGY CO., LTD | | 页码 (SHEET) | 1/1 | 单位 (UNIT): MM |
| | | 版本 (REV) | A1 | 比例 (SCALE) |
| 品名 (ITEM NO) | 2.5间距立贴 WAFER DIP TYPE | 日期 (DATE) | 2021. 10. 12 | |
| 料号 (PART NO) | YTC-A2501LF-**A | 设计 (DESIGN) | LUO | |
| 图号 (DWG NO) | | 审核 (CHECKED) | ROGER LI | GENERAL TOLERANCE X.±0.25 X.±2° .XX±0.20 .X±1° .XXX±0.15 .XX±0.5° .XXX±0.10 .XXX±0.5° |
| | | 核准 (APPROVED) | ROC ZHAO | |

These drawings and specifications are Shenzhen Yiyuan Technology Co Ltd. The property should not be copied. Without Shenzhen Yiyuan Technology Co. Ltd. Prior written consent to copy or use in any way. Email at info@yiyuanswitches.com