

374



T-46-07-11

DM54ALS374/DM74ALS374 Octal TRI-STATE® D-Type Edge-Triggered Flip-Flop

General Description

These 8-bit registers feature totem-pole TRI-STATE outputs designed specifically for driving highly-capacitive or relatively low-impedance loads. The high-impedance state and increased high-logic-level drive provide these registers with the capability of being connected directly to and driving the bus lines in a bus-organized system without need for interface or pull-up components. They are particularly attractive for implementing buffer registers, I/O ports, bidirectional bus drivers, and working registers.

The eight flip-flops of the ALS374 are edge-triggered D-type flip-flops. On the positive transition of the clock, the Q outputs will be set to the logic states that were set up at the D inputs.

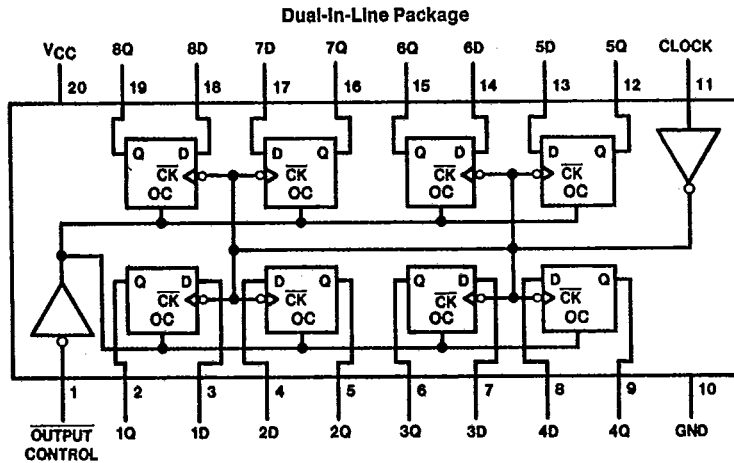
A buffered output control input can be used to place the eight outputs in either a normal logic state (high or low logic levels) or a high-impedance state. In the high-impedance state the outputs neither load nor drive the bus lines significantly.

The output control does not affect the internal operation of the flip-flops. That is, the old data can be retained or new data can be entered even while the outputs are off.

Features

- Switching specifications at 50 pF
- Switching specifications guaranteed over full temperature and V_{CC} range
- Advanced oxide-isolated, ion-implanted Schottky TTL process
- Functionally and pin-for-pin compatible with LS TTL counterpart
- Improved AC performance over LS374 at approximately half the power
- TRI-STATE buffer-type outputs drive bus lines directly

Connection Diagram



TL/F/6113-1

Order Number DM54ALS374J, DM74ALS374WM, DM74ALS374N or DM74ALS374SJ
See NS Package Number J20A, M20B, M20D or N20A

374

T-46-07-11

Absolute Maximum Ratings

If Military/Aerospace specified devices are required, please contact the National Semiconductor Sales Office/Distributors for availability and specifications.

Supply Voltage	7V
Input Voltage	7V
Voltage Applied to Disabled Output	5.5V
Operating Free Air Temperature Range	
DM54ALS	-55°C to +125°C
DM74ALS	0°C to +70°C
Storage Temperature Range	-65°C to +150°C
Typical θ_{JA}	
N Package	57.0°C/W
M Package	76.0°C/W

Note: The "Absolute Maximum Ratings" are those values beyond which the safety of the device cannot be guaranteed. The device should not be operated at these limits. The parametric values defined in the "Electrical Characteristics" table are not guaranteed at the absolute maximum ratings. The "Recommended Operating Conditions" table will define the conditions for actual device operation.

Recommended Operating Conditions

Symbol	Parameter	DM54ALS374			DM74ALS374			Units
		Min	Nom	Max	Min	Nom	Max	
V _{CC}	Supply Voltage	4.5	5	5.5	4.5	5	5.5	V
V _{IH}	High Level Input Voltage	2			2			V
V _{IL}	Low Level Input Voltage			0.7			0.8	V
I _{OH}	High Level Output Current			-1			-2.6	mA
I _{OL}	Low Level Output Current			12			24	mA
f _{CLOCK}	Clock Frequency	0		30	0		35	MHz
t _w	Width of Clock Pulse	High	16.5		14			ns
		Low	16.5		14			ns
t _{SU}	Data Setup Time	10 ↑			10 ↑			ns
t _H	Data Hold Time	4 ↑			0 ↑			ns
T _A	Free Air Operating Temperature	-55		125	0		70	°C

The (↑) arrow indicates the positive edge of the Clock is used for reference.

Electrical Characteristics

over recommended operating free air temperature range. All typical values are measured at V_{CC} = 5V, T_A = 25°C.

Symbol	Parameter	Conditions	Min	Typ	Max	Units
V _{IK}	Input Clamp Voltage	V _{CC} = 4.5V, I _I = -18 mA			-1.5	V
V _{OH}	High Level Output Voltage	V _{CC} = 4.5V, I _{OH} = Max	2.4	3.2		V
		I _{OH} = -400 μA, V _{CC} = 4.5V to 5.5V	V _{CC} - 2			V
V _{OL}	Low Level Output Voltage	V _{CC} = 4.5V, 54/74ALS, I _{OL} = 12 mA		0.25	0.4	V
		74ALS, I _{OL} = 24 mA		0.35	0.5	V
I _I	Input Current @ Max. Input Voltage	V _{CC} = 5.5V, V _{IH} = 7V			0.1	mA
I _{IH}	High Level Input Current	V _{CC} = 5.5V, V _{IH} = 2.7V			20	μA
I _{IL}	Low Level Input Current	V _{CC} = 5.5V, V _{IL} = 0.4V			-0.2	mA
I _O	Output Drive Current	V _{CC} = 5.5V, 54/74ALS, V _O = 2.25V	-30		-112	mA
I _{OZH}	Off-State Output Current, High Level Voltage Applied	V _{CC} = 5.5V, V _O = 2.7V			20	μA
I _{OZL}	Off-State Output Current, Low Level Voltage Applied	V _{CC} = 5.5V, V _O = 0.4V			-20	μA
I _{CC}	Supply Current	V _{CC} = 5.5V, Outputs Open				
		Outputs High		11	19	mA
		Outputs Low		19	28	mA
		Outputs Disabled		20	31	mA

Switching Characteristics over recommended operating free air temperature range (Note 1)

Symbol	Parameter	Conditions	From	To	DM54ALS374		DM74ALS374		Units
					Min	Max	Min	Max	
f _{MAX}	Maximum Clock Frequency	V _{CC} = 4.5V to 5.5V R _L = 500Ω C _L = 50 pF			30		35		MHz
t _{PLH}	Propagation Delay Time Low to High Level Output		Clock	Any Q	3	14	3	12	ns
t _{PHL}	Propagation Delay Time High to Low Level Output		Clock	Any Q	5	17	5	16	ns
t _{PZH}	Output Enable Time to High Level Output		Output Control	Any Q	5	18	5	17	ns
t _{PZL}	Output Enable Time to Low Level Output		Output Control	Any Q	6	21	7	18	ns
t _{PHZ}	Output Disable Time from High Level Output		Output Control	Any Q	2	11	2	10	ns
t _{PLZ}	Output Disable Time from Low Level Output		Output Control	Any Q	3	19	3	18	ns

Note 1: See Section 1 for test waveforms and output load.

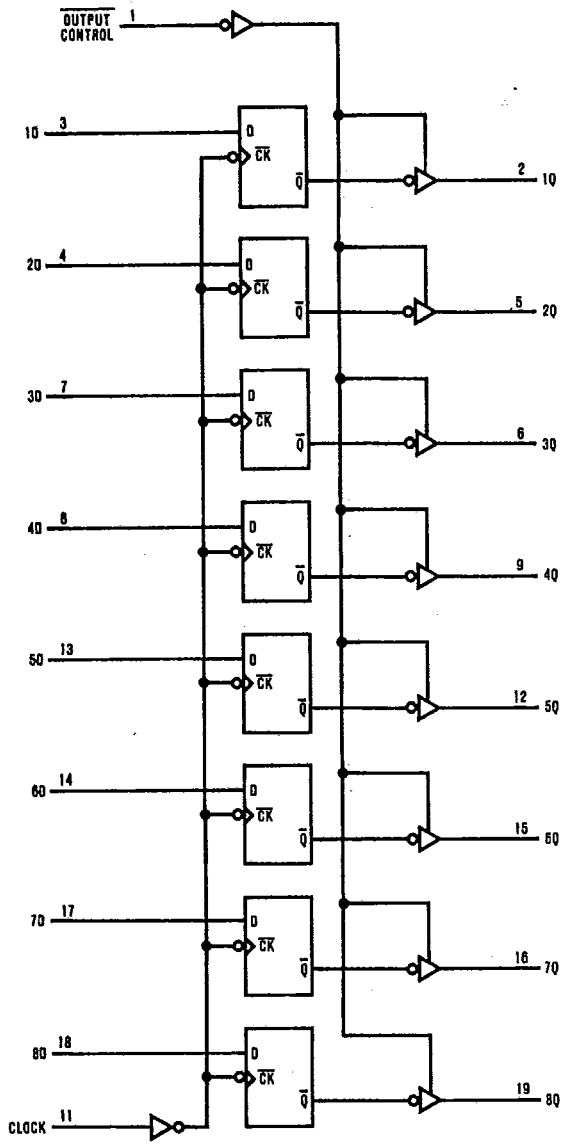
Function Table

Output Control	Clock	D	Output Q
L	↑	H	H
L	↑	L	L
L	L	X	Q ₀
H	X	X	Z

L = Low State, H = High State, X = Don't Care
 ↑ = Positive Edge Transition
 Z = High Impedance State
 Q₀ = Previous Condition of Q

Logic Diagram

T-46-07-11



TL/F/6113-2

2