

National Semiconductor is now part of
Texas Instruments.

Search <http://www.ti.com/> for the latest technical
information and details on our current products and services.

LM120QML

Series 3-Terminal Negative Regulators

General Description

The LM120 series are three-terminal negative regulators with a fixed output voltage of $-5V$, $-12V$, and $-15V$, and up to 1.5A load current capability. Where other voltages are required, the LM137 and LM137HV series provide an output voltage range of $-1.2V$ to $-47V$.

The LM120 needs only one external component—a compensation capacitor at the output, making them easy to apply. Worst case guarantees on output voltage deviation due to any combination of line, load or temperature variation assure satisfactory system operation.

Exceptional effort has been made to make the LM120 Series immune to overload conditions. The regulators have current limiting which is independent of temperature, combined with thermal overload protection. Internal current limiting protects against momentary faults while thermal shutdown prevents junction temperatures from exceeding safe limits during prolonged overloads.

Although primarily intended for fixed output voltage applications, the LM120 Series may be programmed for higher output voltages with a simple resistive divider. The low quiescent

drain current of the devices allows this technique to be used with good regulation.

Features

- Preset output voltage error less than $\pm 3\%$
- Preset current limit
- Internal thermal shutdown
- Operates with input-output voltage differential down to 1V
- Excellent ripple rejection
- Low temperature drift
- Easily adjustable to higher output voltage

LM120 Series Packages and Power Capability

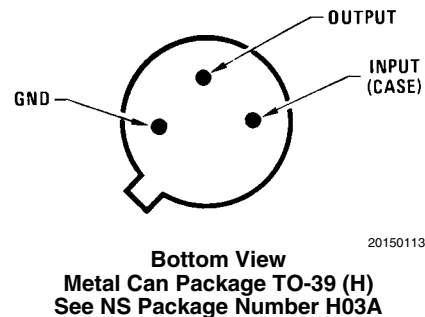
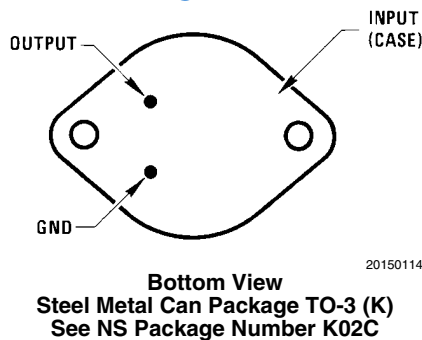
Package	Rated Power Dissipation	Design Load Current
TO-3 (K)	20W	1.5A
TO-39 (H)	2W	0.5A

Ordering Information

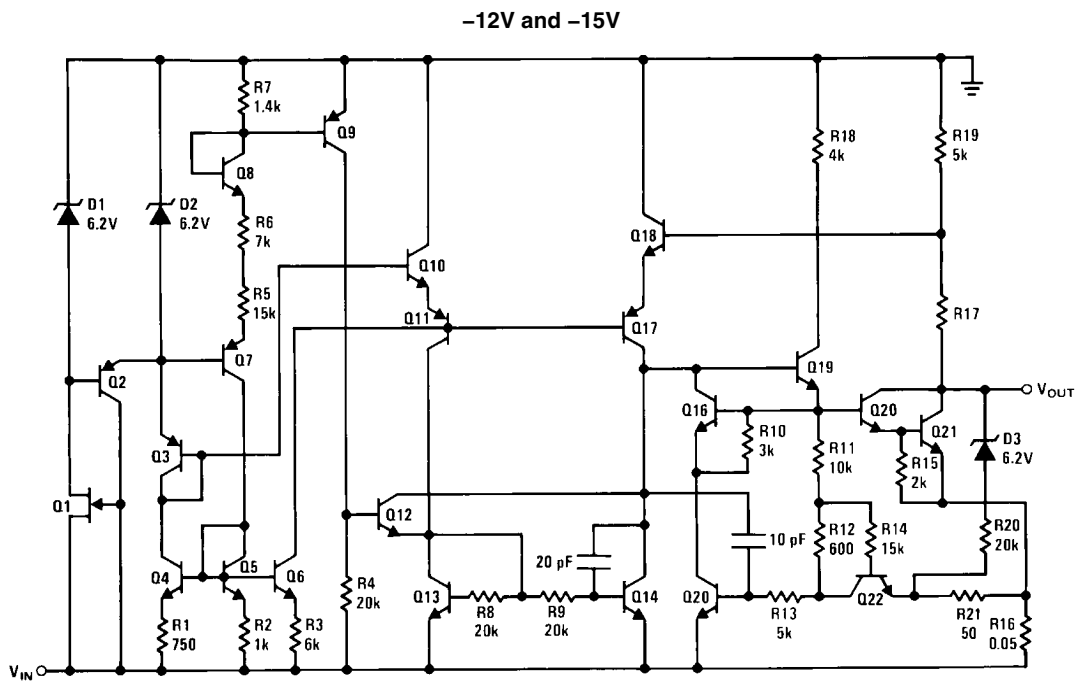
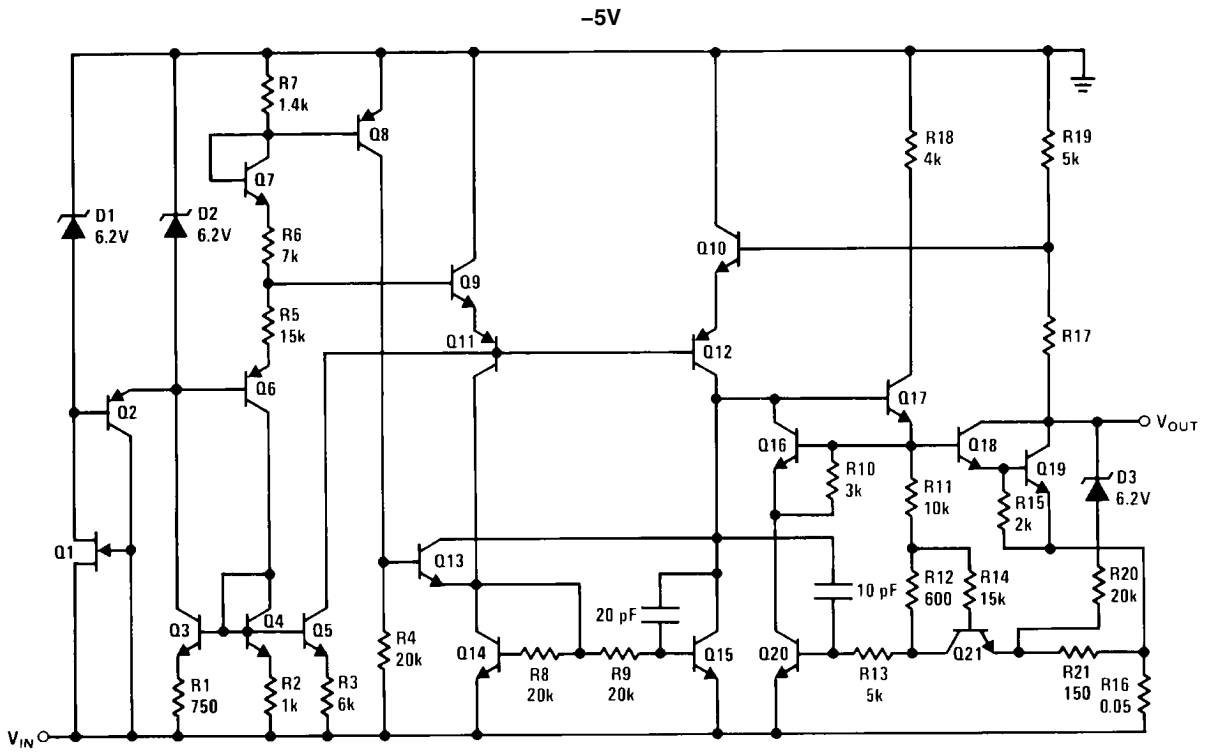
NS Part Number	SMD Part Number	NS Package Number	Package Description
LM120H-5.0/883		H03A	3LD TO-39 Metal Can
LM120H-12/883		H03A	3LD TO-39 Metal Can
LM120H-15/883		H03A	3LD TO-39 Metal Can
LM120K-12/883		K02C	2LD TO-3 Metal Can
LM120K-15/883		K02C	2LD TO-3 Metal Can
LM120KG-5 MD8		(Note 1)	Bare Die
LM120KG-12 MD8		(Note 1)	Bare Die
LM120KG-15 MD8		(Note 1)	Bare Die

Note 1: FOR ADDITIONAL DIE INFORMATION, PLEASE VISIT THE HI REL WEB SITE AT: www.national.com/analog/space/level_die

Connection Diagrams



Schematic Diagrams



Absolute Maximum Ratings *(Note 2)*

	LM120-5	LM120-12	LM120-15
Power Dissipation		Internally Limited	
Input Voltage	-25V	-35V	-40V
Input-Output Voltage Differential	25V	30V	30V
Junction Temperatures		150°C	
Storage Temperature Range		$-65^{\circ}\text{C} \leq T_A \leq +150^{\circ}\text{C}$	
Operating Temperature Range		$-55^{\circ}\text{C} \leq T_A \leq +125^{\circ}\text{C}$	
Lead Temperature (Soldering, 10 sec.)		300°C	
Thermal Resistance			
θ_{JA}			
H-Pkg (Still Air @ 0.5W)		191°C/W	
H-Pkg (500LF/Min Air flow @ 0.5W)		70°C/W	
K-Pkg (Still Air @ 0.5W)		35°C/W	
K-Pkg (500LF/Min Air flow @ 0.5W)		TBD	
θ_{JC}			
H-Pkg		29°C/W	
K-Pkg		3°C/W	
ESD Tolerance <i>(Note 4)</i>		4000V	

Quality Conformance Inspection

Mil-Std-883, Method 5005 - Group A

Subgroup	Description	Temp (°C)
1	Static tests at	+25
2	Static tests at	+125
3	Static tests at	-55
4	Dynamic tests at	+25
5	Dynamic tests at	+125
6	Dynamic tests at	-55
7	Functional tests at	+25
8A	Functional tests at	+125
8B	Functional tests at	-55
9	Switching tests at	+25
10	Switching tests at	+125
11	Switching tests at	-55
12	Settling time at	+25
13	Settling time at	+125
14	Settling time at	-55

LM120H-5.0

DC Parameters

The following conditions apply, unless otherwise specified. $V_{IN} = -10V$, $I_L = 5mA$

Symbol	Parameter	Conditions	Notes	Min	Max	Unit	Sub-groups
I_Q	Quiescent Current	$V_{IN} = -7V$			2.0	mA	1, 2, 3
		$V_{IN} = -25V$			2.0	mA	1, 2, 3
ΔI_Q	Quiescent Current Change	$5mA \leq I_L \leq 0.5A$		-0.4	0.4	mA	1
				-0.5	0.5	mA	2, 3
		$-25V \leq V_{IN} \leq -7V$		-0.4	0.4	mA	1
				-0.5	0.5	mA	2, 3
V_{OUT}	Output Voltage			-5.1	-4.9	V	1
		$V_{IN} = -7.5V$		-5.2	-4.8	V	1, 2, 3
		$V_{IN} = -7.5V, I_L = 0.5A$		-5.2	-4.8	V	1, 2, 3
		$V_{IN} = -25V$		-5.2	-4.8	V	1, 2, 3
		$V_{IN} = -25V, I_L = 100mA$		-5.2	-4.8	V	1, 2, 3
R_{Line}	Line Regulation	$-25V \leq V_{IN} \leq -7V$		-25	25	mV	1
				-50	50	mV	2, 3
R_{Load}	Load Regulation	$5mA \leq I_L \leq 0.5A$		-50	50	mV	1
				-100	100	mV	2, 3
I_{OS}	Short Circuit Current	$V_{IN} = -25V$		0.1	1.5	A	1
RR	Ripple Rejection	$f = 120Hz, I_L = 125mA, e_1 = 1V_{RMS}$		54		dB	4

LM120K-5.0

DC Parameters

The following conditions apply, unless otherwise specified. $V_{IN} = -10V$, $I_L = 5mA$

Symbol	Parameter	Conditions	Notes	Min	Max	Unit	Sub-groups
I_Q	Quiescent Current	$V_{IN} = -7V$			2.0	mA	1, 2, 3
		$V_{IN} = -25V$			2.0	mA	1, 2, 3
ΔI_Q	Quiescent Current Change	$5mA \leq I_L \leq 1.5A$		-0.4	0.4	mA	1
				-0.5	0.5	mA	2, 3
		$-25V \leq V_{IN} \leq -7V$		-0.4	0.4	mA	1
				-0.5	0.5	mA	2, 3
V_{OUT}	Output Voltage			-5.1	-4.9	V	1
		$V_{IN} = -7.5V$		-5.2	-4.8	V	1, 2, 3
		$V_{IN} = -7.5V, I_L = 1.5A$		-5.2	-4.8	V	1, 2, 3
		$V_{IN} = -25V$		-5.2	-4.8	V	1, 2, 3
		$V_{IN} = -25V, I_L = 1A$		-5.2	-4.8	V	1, 2, 3
R_{Line}	Line Regulation	$-25V \leq V_{IN} \leq -7V$		-25	25	mV	1
				-50	50	mV	2, 3
R_{Load}	Load Regulation	$5mA \leq I_L \leq 1.5A$		-75	75	mV	1
				-100	100	mV	2, 3
I_{OS}	Short Circuit Current	$V_{IN} = -25V$		0.4	3.0	A	1
RR	Ripple Rejection	$f = 120Hz, I_L = 350mA, e_1 = 1V_{RMS}$		54		dB	4

LM120H-12

DC Parameters

The following conditions apply, unless otherwise specified. $V_{IN} = -17V$, $I_L = 5mA$

Symbol	Parameter	Conditions	Notes	Min	Max	Unit	Sub-groups
I_Q	Quiescent Current	$V_{IN} = -14V$			4.0	mA	1, 2, 3
		$V_{IN} = -32V$			4.0	mA	1, 2, 3
ΔI_Q	Quiescent Current Change	$V_{IN} = -17V$, $5mA \leq I_L \leq 200mA$			0.4	mA	1
					0.5	mA	2, 3
		$-32V \leq V_{IN} \leq -14V$			0.4	mA	1
					0.5	mA	2, 3
R_{Load}	Load Regulation	$V_{IN} = -17V$, $5mA \leq I_L \leq 200mA$		-25	25	mV	1
				-50	50		2, 3
R_{Line}	Line Regulation	$-32V \leq V_{IN} \leq -14V$		-10	10	mV	1
				-20	20	mV	2, 3
I_{OS}	Short Circuit Current	$V_{IN} = -32V$		0.1	1.5	A	1
V_{OUT}	Output Voltage	$V_{IN} = -17V$		-12.3	-11.7	V	1
		$V_{IN} = -32V$		-12.5	-11.5	V	1, 2, 3
		$V_{IN} = -32V$, $I_L = 100mA$		-12.5	-11.5	V	1, 2, 3
		$V_{IN} = -14.5V$		-12.5	-11.5	V	1, 2, 3
		$V_{IN} = -14.5V$, $I_L = 200mA$		-12.5	-11.5	V	1, 2, 3
RR	Ripple Rejection	$f = 120Hz$, $I_L = 125mA$, $e_i = 1V_{RMS}$		56		dB	4

LM120K-12

DC Parameters

The following conditions apply to all the following parameters, unless otherwise specified. $V_{IN} = -17V$, $I_L = 5mA$

Symbol	Parameter	Conditions	Notes	Min	Max	Unit	Sub-groups
I_Q	Quiescent Current	$V_{IN} = -14V$			4.0	mA	1, 2, 3
		$V_{IN} = -32V$			4.0	mA	1, 2, 3
ΔI_Q	Quiescent Current Change	$V_{IN} = -17V$, $5mA \leq I_L \leq 1A$			0.4	mA	1
					0.5	mA	2, 3
		$-32V \leq V_{IN} \leq -14V$			0.4	mA	1
					0.5	mA	2, 3
R_{Load}	Load Regulation	$V_{IN} = -17V$, $5mA \leq I_L \leq 1A$		-80	80	mV	1, 2, 3
				-10	10	mV	1
R_{Line}	Line Regulation	$-32V \leq V_{IN} \leq -14V$		-20	20	mV	2, 3
I_{OS}	Short Circuit Current	$V_{IN} = -32V$		0.4	3.0	A	1
V_{OUT}	Output Voltage	$V_{IN} = -17V$		-12.3	-11.7	V	1
		$V_{IN} = -32V$		-12.5	-11.5	V	1, 2, 3
		$V_{IN} = -32V$, $I_L = 1A$		-12.5	-11.5	V	1, 2, 3
		$V_{IN} = -14.5V$		-12.5	-11.5	V	1, 2, 3
		$V_{IN} = -14.5V$, $I_L = 1A$		-12.5	-11.5	V	1, 2, 3
RR	Ripple Rejection	$f = 120Hz$, $I_L = 350mA$, $e_i = 1V_{RMS}$		56		dB	4

LM120H-15

DC Parameters

The following conditions apply to all the following parameters, unless otherwise specified. $V_{IN} = 20V$, $I_L = 5mA$

Symbol	Parameter	Conditions	Notes	Min	Max	Unit	Sub-groups
I_Q	Quiescent Current	$V_{IN} = -17V$			4.0	mA	1, 2, 3
		$V_{IN} = -35V$			4.0	mA	1, 2, 3
ΔI_Q	Quiescent Current Change	$V_{IN} = -17V$, $5mA \leq I_L \leq 200mA$			0.4	mA	1
					0.5	mA	2, 3
		$-35V \leq V_{IN} \leq -17V$			0.4	mA	1
					0.5	mA	2, 3
R_{Load}	Load Regulation	$V_{IN} = -20V$, $5mA \leq I_L \leq 200mA$		-25	25	mV	1
				-50	50	mV	2, 3
R_{Line}	Line Regulation	$-35V \leq V_{IN} \leq -17V$		-10	10	mV	1
				-20	20	mV	2, 3
I_{OS}	Short Circuit Current	$V_{IN} = -35V$		0.1	1.5	A	1
V_{OUT}	Output Voltage	$V_{IN} = -20V$		-15.3	-14.7	V	1
		$V_{IN} = -35V$		-15.5	-14.5	V	1, 2, 3
		$V_{IN} = -35V$, $I_L = 100mA$		-15.5	-14.5	V	1, 2, 3
		$V_{IN} = -17.5V$		-15.5	-14.5	V	1, 2, 3
		$V_{IN} = -17.5V$, $I_L = 200mA$		-15.5	-14.5	V	1, 2, 3
RR	Ripple Rejection	$f = 120Hz$, $I_L = 125mA$, $e_i = 1V_{RMS}$		56		dB	4

LM120K-15

DC Parameters

The following conditions apply, unless otherwise specified. $V_{IN} = 20V$, $I_L = 5mA$

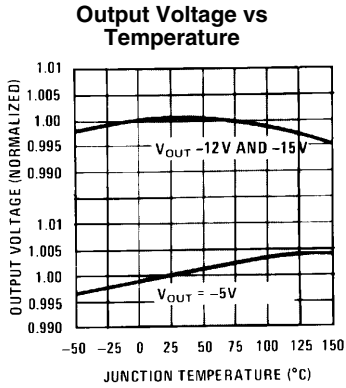
Symbol	Parameter	Conditions	Notes	Min	Max	Unit	Sub-groups
I_Q	Quiescent Current	$V_{IN} = -17V$			4.0	mA	1, 2, 3
		$V_{IN} = -35V$			4.0	mA	1, 2, 3
ΔI_Q	Quiescent Current Change	$V_{IN} = -17V$, $5mA \leq I_L \leq 1A$			0.4	mA	1
					0.5	mA	2, 3
		$-35V \leq V_{IN} \leq -17V$			0.4	mA	1
					0.5	mA	2, 3
R_{Load}	Load Regulation	$V_{IN} = -20V$, $5mA \leq I_L \leq 1A$		-80	80	mV	1, 2, 3
R_{Line}	Line Regulation	$-35V \leq V_{IN} \leq -17V$		-10	10	mV	1
				-20	20	mV	2, 3
I_{OS}	Short Circuit Current	$V_{IN} = -35V$		0.4	3.0	A	1
V_{OUT}	Output Voltage	$V_{IN} = -20V$		-15.3	-14.7	V	1
		$V_{IN} = -35V$		-15.5	-14.5	V	1, 2, 3
		$V_{IN} = -35V$, $I_L = 1A$		-15.5	-14.5	V	1, 2, 3
		$V_{IN} = -17.5V$		-15.5	-14.5	V	1, 2, 3
		$V_{IN} = -17.5V$, $I_L = 1.5A$		-15.5	-14.5	V	1, 2, 3
$\Delta V_O / \Delta t$	Long Term Stability		(Note 3)		150	mV	1
RR	Ripple Rejection	$f = 120Hz$, $I_L = 350mA$, $e_i = 1V_{RMS}$		56		dB	4

Note 2: Absolute Maximum Ratings indicate limits beyond which damage to the device may occur. Operating Ratings indicate conditions for which the device is functional, but do not guarantee specific performance limits. For guaranteed specifications and test conditions, see the Electrical Characteristics. The guaranteed specifications apply only for the test conditions listed. Some performance characteristics may degrade when the device is not operated under the listed test conditions.

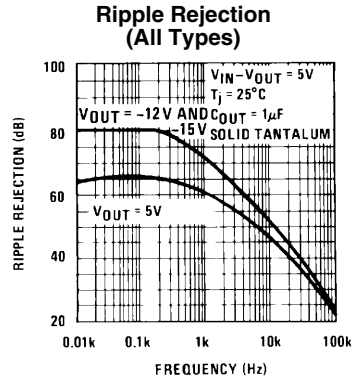
Note 3: Guaranteed parameter, not tested

Note 4: Human body model, 1.5 kΩ in series with 100 pF.

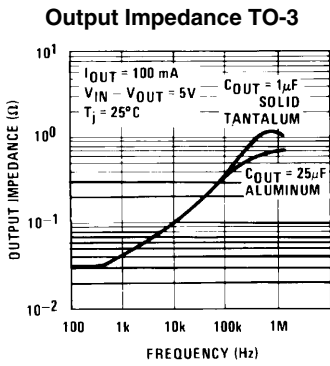
Typical Performance Characteristics



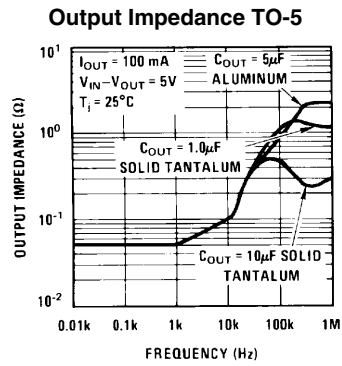
20150120



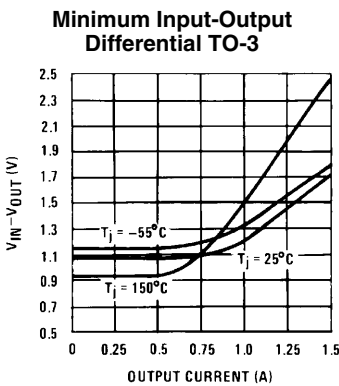
20150121



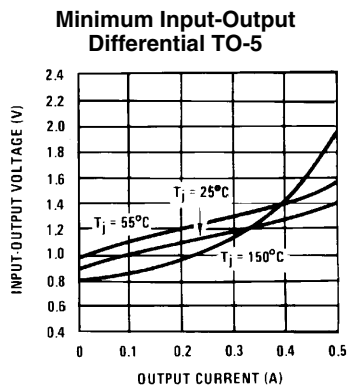
20150122



20150123

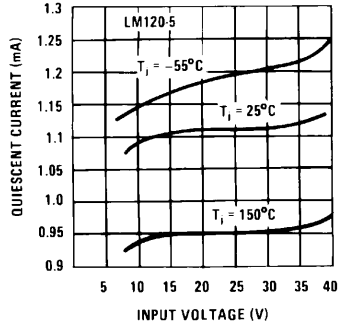


20150124



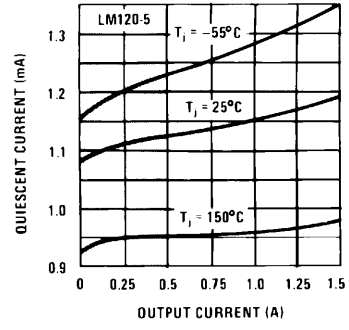
20150125

Quiescent Current vs Input Voltage



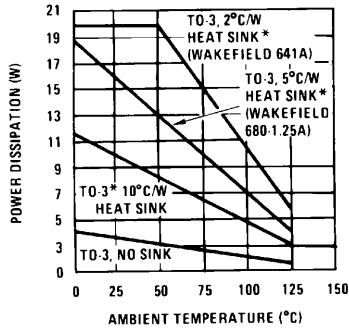
20150126

Quiescent Current vs Load Current



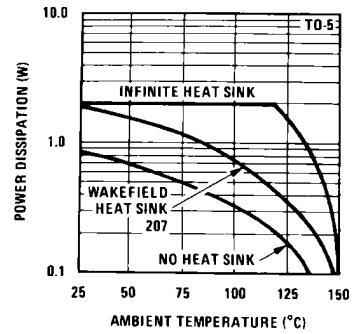
20150127

Maximum Average Power Dissipation (TO-3)



20150128

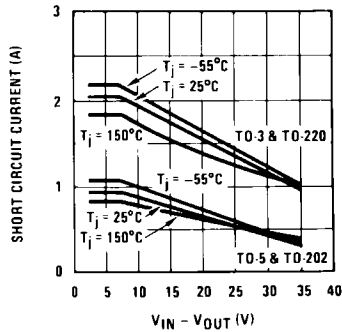
Maximum Average Power Dissipation (TO-5)



20150129

*These curves for LM120. Derate 25°C further for LM320.

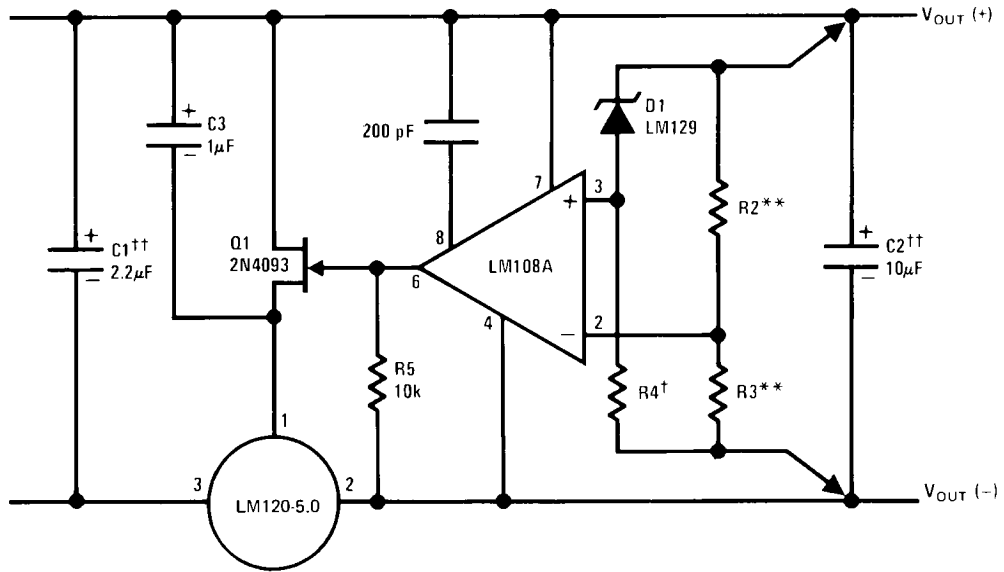
Short Circuit Current



20150132

Typical Applications

High Stability 1 Amp Regulator



20150106

Lead and line regulation — 0.01% temperature stability — 0.2%

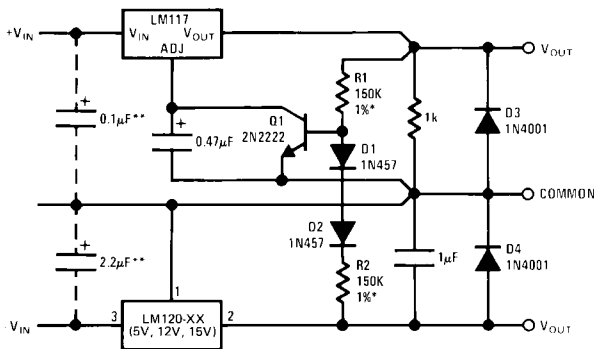
†Determines Zener current.

††Solid tantalum.

An LM120-12 or LM120-15 may be used to permit higher input voltages, but the regulated output voltage must be at least -15V when using the LM120-12 and -18V for the LM120-15.

**Select resistors to set output voltage. 2 ppm/°C tracking suggested.

Wide Range Tracking Regulator



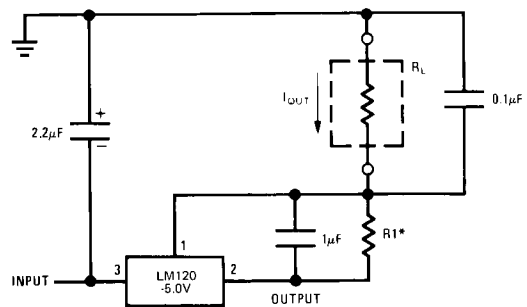
20150107

* Resistor tolerance of R1 and R2 determine matching of (+) and (-) inputs.

**Necessary only if raw supply capacitors are more than 3 from regulators

An LM3086N array may substitute for Q1, D1 and D2 for better stability and tracking. In the array diode transistors Q5 and Q4 (in parallel) make up D2; similarly, Q1 and Q2 become D1 and Q3 replaces the 2N2222.

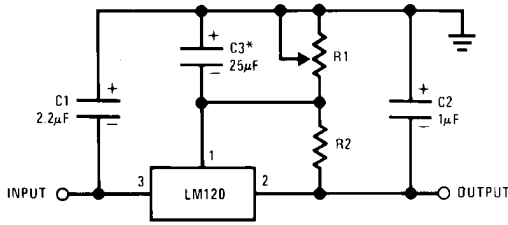
Current Source



20150108

$$I_{OUT} = 1 \text{ mA} + \frac{5.0\text{V}}{R1}$$

Variable Output



20150109

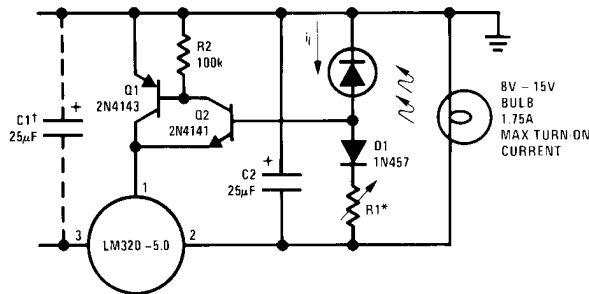
*Optional. Improves transient response and ripple rejection.

$$V_{OUT} = V_{SET} \frac{R1 + R2}{R2}$$

SELECT R2 AS FOLLOWS:

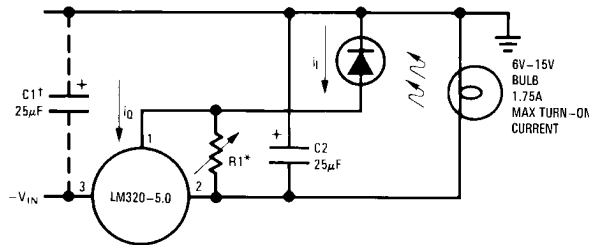
- LM120-5 -300Ω
- LM120-12 -750Ω
- LM120-15 -1k

Light Controllers Using Silicon Photo Cells



20150110

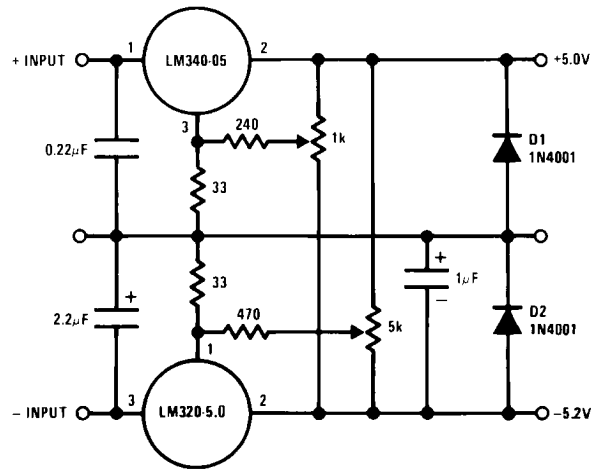
- *Lamp brightness increases until $i_i = 5V/R1$ (i_i can be set as low as 1 µA).
- †Necessary only if raw supply filter capacitor is more than 2 from LM320MP.



20150111

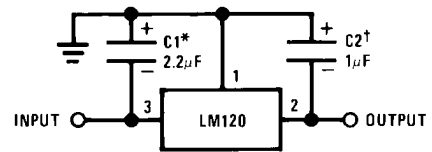
- *Lamp brightness increases until $i_i = i_Q (1 \text{ mA}) + 5V/R1$.
- †Necessary only if raw supply filter capacitor is more than 2 from LM320.

Dual Trimmed Supply



20150103

Fixed Regulator



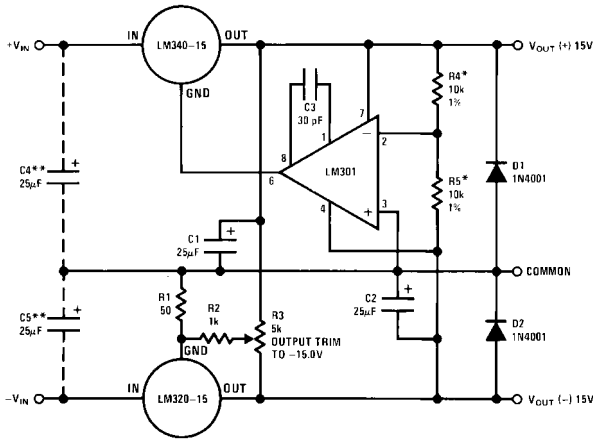
20150102

*Required if regulator is separated from filter capacitor by more than 3. For value given, capacitor must be solid tantalum. 25 µF aluminum electrolytic may be substituted.

†Required for stability. For value given, capacitor must be solid tantalum. 25 µF aluminum electrolytic may be substituted. Values given may be increased without limit.

For output capacitance in excess of 100 µF, a high current diode from input to output (1N4001, etc.) will protect the regulator from momentary input shorts.

±15V, 1 Amp Tracking Regulators



20150112

Performance (Typical)

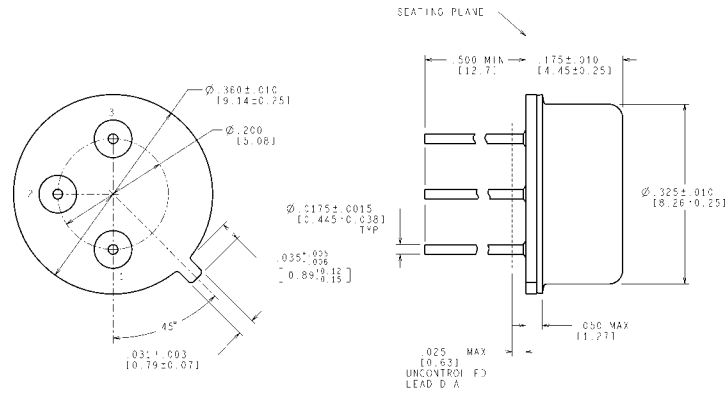
Load Regulation at $\Delta I_L = 1A$	10 mV	1 mV
Output Ripple, $C_{IN} = 3000 \mu F$, $I_L = 1A$	100 $\mu VRMS$	100 $\mu VRMS$
Temperature Stability	+50 mV	+50 mV
Output Noise $10 Hz \leq f \leq 10 kHz$	150 $\mu VRMS$	150 $\mu VRMS$

*Resistor tolerance of R4 and R5 determine matching of (+) and (-) outputs.
 **Necessary only if raw supply filter capacitors are more than 2' from regulators.

Revision History

Date Released	Revision	Section	Changes
12/15/2010	A	New release to the corporate format	6 MDS datasheets were converted and merged into one datasheet compliant to corporate format. Drift endpoints removed since note used on 883 product. MDS MNLM120-5.0-K Rev OBL, MNLM120-5.0-H Rev OBL, MNLM120-12-K Rev OBL, MNLM120-12-H Rev OBL, MNLM120-15-K Rev OBL, & MNLM120-15-H Rev OBL will be archived.

Physical Dimensions inches (millimeters) unless otherwise noted

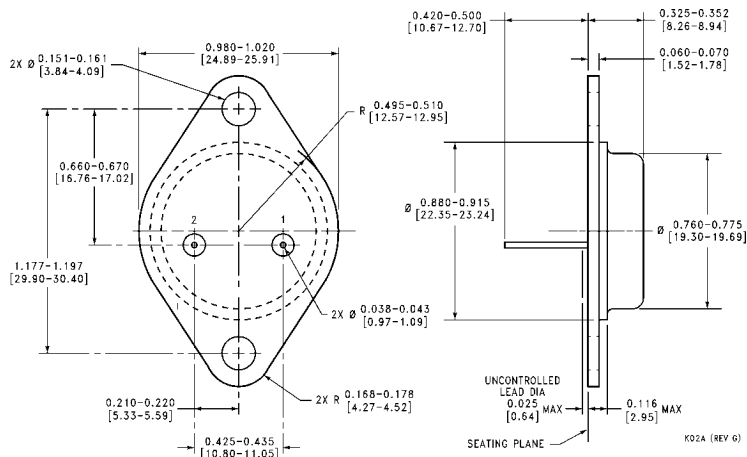


CONTROLLING DIMENSION IS INCH
VALUES IN [] ARE MILLIMETERS

MIL-PRF-38535
CONFIGURATION CONTROL

H03A (Rev D)

Metal Can Package (TO-39) (H)
NS Package Number H03A



Steel Metal Can Package TO-3 (K)
NS Package Number K02C

Notes

For more National Semiconductor product information and proven design tools, visit the following Web sites at:
www.national.com

Products		Design Support	
Amplifiers	www.national.com/amplifiers	WEBENCH® Tools	www.national.com/webench
Audio	www.national.com/audio	App Notes	www.national.com/appnotes
Clock and Timing	www.national.com/timing	Reference Designs	www.national.com/refdesigns
Data Converters	www.national.com/adc	Samples	www.national.com/samples
Interface	www.national.com/interface	Eval Boards	www.national.com/evalboards
LVDS	www.national.com/lvds	Packaging	www.national.com/packaging
Power Management	www.national.com/power	Green Compliance	www.national.com/quality/green
Switching Regulators	www.national.com/switchers	Distributors	www.national.com/contacts
LDOs	www.national.com/ldo	Quality and Reliability	www.national.com/quality
LED Lighting	www.national.com/led	Feedback/Support	www.national.com/feedback
Voltage References	www.national.com/vref	Design Made Easy	www.national.com/easy
PowerWise® Solutions	www.national.com/powerwise	Applications & Markets	www.national.com/solutions
Serial Digital Interface (SDI)	www.national.com/sdi	Mil/Aero	www.national.com/milaero
Temperature Sensors	www.national.com/tempensors	SolarMagic™	www.national.com/solarmagic
PLL/VCO	www.national.com/wireless	PowerWise® Design University	www.national.com/training

THE CONTENTS OF THIS DOCUMENT ARE PROVIDED IN CONNECTION WITH NATIONAL SEMICONDUCTOR CORPORATION ("NATIONAL") PRODUCTS. NATIONAL MAKES NO REPRESENTATIONS OR WARRANTIES WITH RESPECT TO THE ACCURACY OR COMPLETENESS OF THE CONTENTS OF THIS PUBLICATION AND RESERVES THE RIGHT TO MAKE CHANGES TO SPECIFICATIONS AND PRODUCT DESCRIPTIONS AT ANY TIME WITHOUT NOTICE. NO LICENSE, WHETHER EXPRESS, IMPLIED, ARISING BY ESTOPPEL OR OTHERWISE, TO ANY INTELLECTUAL PROPERTY RIGHTS IS GRANTED BY THIS DOCUMENT.

TESTING AND OTHER QUALITY CONTROLS ARE USED TO THE EXTENT NATIONAL DEEMS NECESSARY TO SUPPORT NATIONAL'S PRODUCT WARRANTY. EXCEPT WHERE MANDATED BY GOVERNMENT REQUIREMENTS, TESTING OF ALL PARAMETERS OF EACH PRODUCT IS NOT NECESSARILY PERFORMED. NATIONAL ASSUMES NO LIABILITY FOR APPLICATIONS ASSISTANCE OR BUYER PRODUCT DESIGN. BUYERS ARE RESPONSIBLE FOR THEIR PRODUCTS AND APPLICATIONS USING NATIONAL COMPONENTS. PRIOR TO USING OR DISTRIBUTING ANY PRODUCTS THAT INCLUDE NATIONAL COMPONENTS, BUYERS SHOULD PROVIDE ADEQUATE DESIGN, TESTING AND OPERATING SAFEGUARDS.

EXCEPT AS PROVIDED IN NATIONAL'S TERMS AND CONDITIONS OF SALE FOR SUCH PRODUCTS, NATIONAL ASSUMES NO LIABILITY WHATSOEVER, AND NATIONAL DISCLAIMS ANY EXPRESS OR IMPLIED WARRANTY RELATING TO THE SALE AND/OR USE OF NATIONAL PRODUCTS INCLUDING LIABILITY OR WARRANTIES RELATING TO FITNESS FOR A PARTICULAR PURPOSE, MERCHANTABILITY, OR INFRINGEMENT OF ANY PATENT, COPYRIGHT OR OTHER INTELLECTUAL PROPERTY RIGHT.

LIFE SUPPORT POLICY

NATIONAL'S PRODUCTS ARE NOT AUTHORIZED FOR USE AS CRITICAL COMPONENTS IN LIFE SUPPORT DEVICES OR SYSTEMS WITHOUT THE EXPRESS PRIOR WRITTEN APPROVAL OF THE CHIEF EXECUTIVE OFFICER AND GENERAL COUNSEL OF NATIONAL SEMICONDUCTOR CORPORATION. As used herein:

Life support devices or systems are devices which (a) are intended for surgical implant into the body, or (b) support or sustain life and whose failure to perform when properly used in accordance with instructions for use provided in the labeling can be reasonably expected to result in a significant injury to the user. A critical component is any component in a life support device or system whose failure to perform can be reasonably expected to cause the failure of the life support device or system or to affect its safety or effectiveness.

National Semiconductor and the National Semiconductor logo are registered trademarks of National Semiconductor Corporation. All other brand or product names may be trademarks or registered trademarks of their respective holders.

Copyright© 2010 National Semiconductor Corporation

For the most current product information visit us at www.national.com



National Semiconductor Americas Technical Support Center
 Email: support@nsc.com
 Tel: 1-800-272-9959

National Semiconductor Europe Technical Support Center
 Email: europe.support@nsc.com

National Semiconductor Asia Pacific Technical Support Center
 Email: ap.support@nsc.com

National Semiconductor Japan Technical Support Center
 Email: jpn.feedback@nsc.com